

ADVANTAGE

18865 GOLL ST. - SAN ANTONIO, TX. - 78266 - ph 210-654-7171 - fax 210-654-3113

**INSTALLATION INSTRUCTIONS
FOR**

ROTARY CONTROL PANEL 49205-RHA

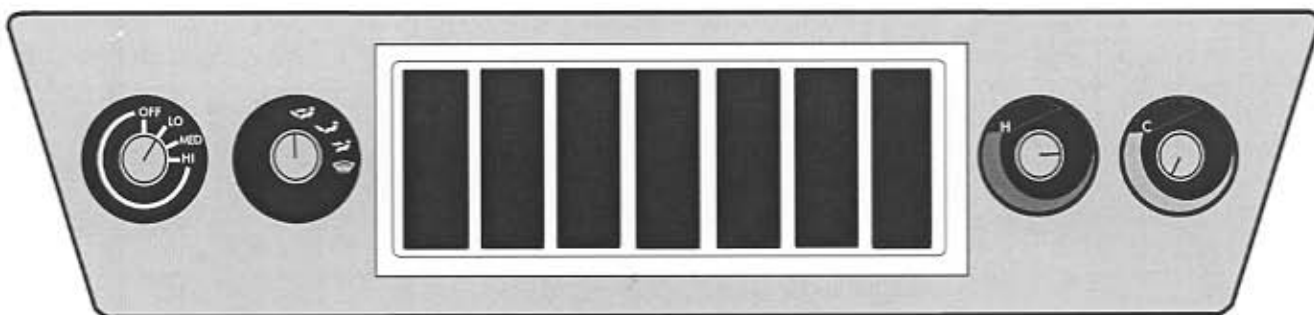


TABLE OF CONTENTS

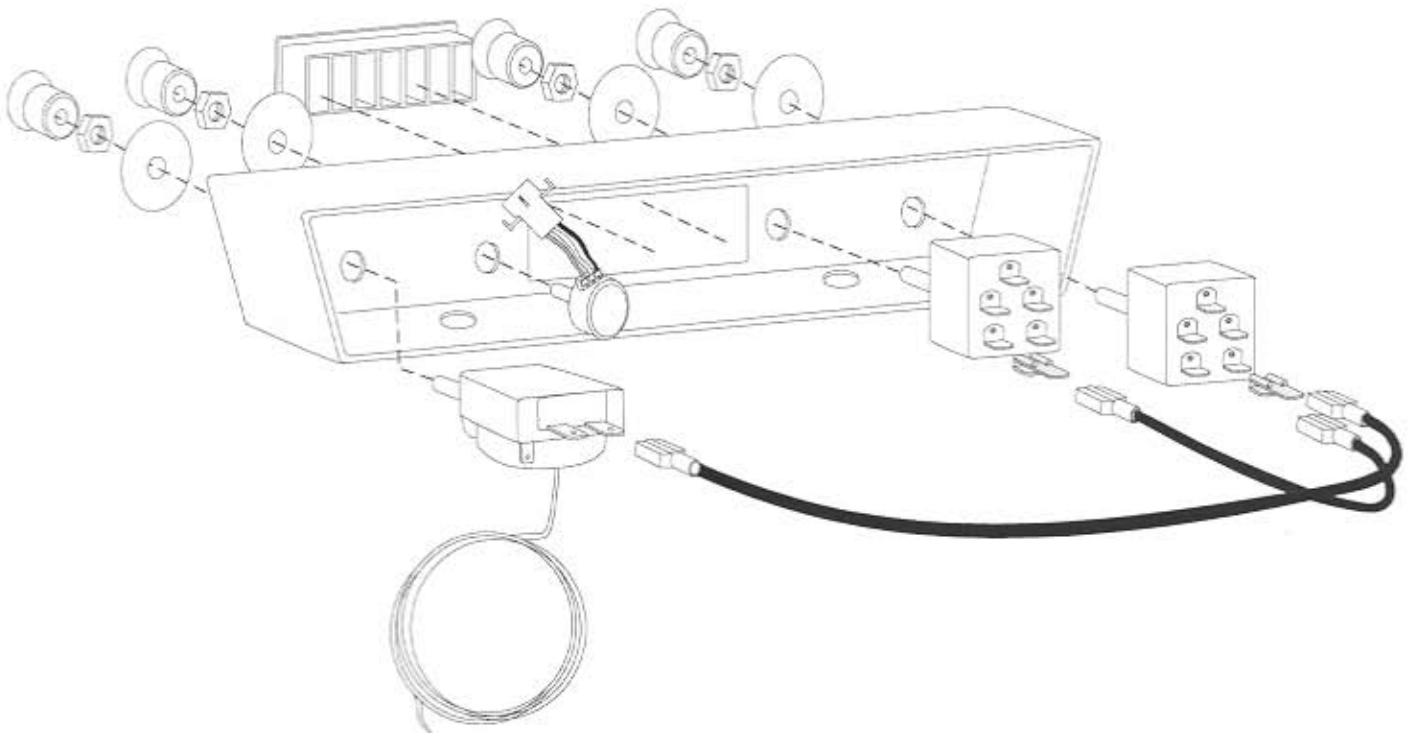
PAGES

1. COVER
2. TABLE OF CONTENTS
3. PACKING LIST
4. INSTALLATION & CONTROL WIRING DIAGRAM
5. OPERATION OF CONTROLS
6. WIRING DIAGRAM
7. CONTROL PANEL KIT PACKING LIST

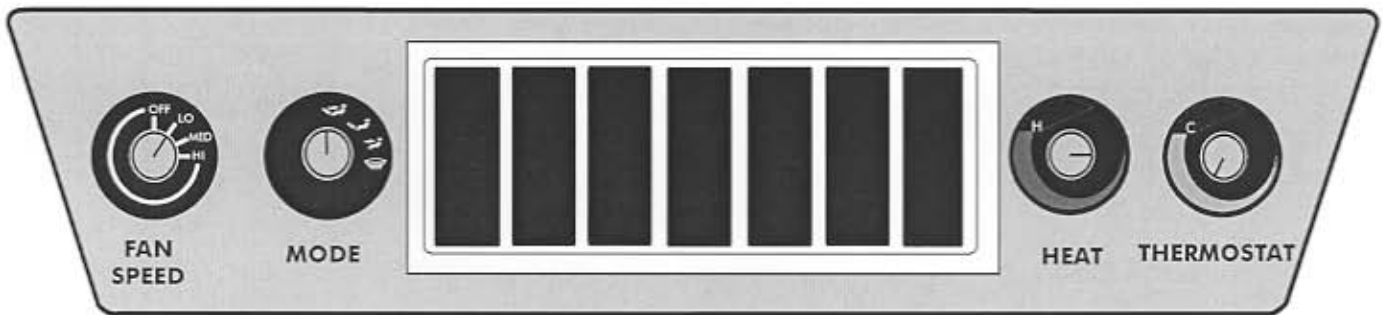
CONTROL PANEL PACKING LIST
**CONTROL PANEL
49205-RHA**

No.	QTY.	PART No.	DESCRIPTION
1.	1	11092-VUT	THERMOSTAT 48" ADJUSTABLE ROTARY
2.	1	11413-RUA	ROTARY POT w/ PIGTAIL
3.	2	11458-VUS	3-SPD ROTARY BLOWER SWITCH
4.	4	18157-VUB	7/16" SHAFT NUT
5.	1	20558-VUP	LABEL BLOWER SWITCH
6.	1	20570-VUP	ROTARY MODE LABEL
7.	1	20571-VUP	ROTARY THERMOSTAT LABEL
8.	1	20572-VUP	ROTARY HEAT LABEL
9.	1	49205-RHI	GEN II POD w/ LOUVER
10.	1	49219-VUI	BLOWER SWITCH KNOB
11.	3	49457-VUI	CONTROL KNOB
12.	2	23123-VUW	BUDDY CLIP
13.	1	23139-VUW	6" JUMPER WIRE
14.	1	23138-VUW	11" JUMPER WIRE
15.	1	49157-VUL	LOUVER

**** BEFORE BEGINNING INSTALLATION OPEN ALL PACKAGES AND CHECK CONTENTS OF SHIPMENT. PLEASE REPORT ANY SHORTAGES DIRECTLY TO VINTAGE AIR WITHIN 15 DAYS. AFTER 15 DAYS, VINTAGE AIR WILL NOT BE RESPONSIBLE FOR MISSING OR DAMAGED ITEMS.**

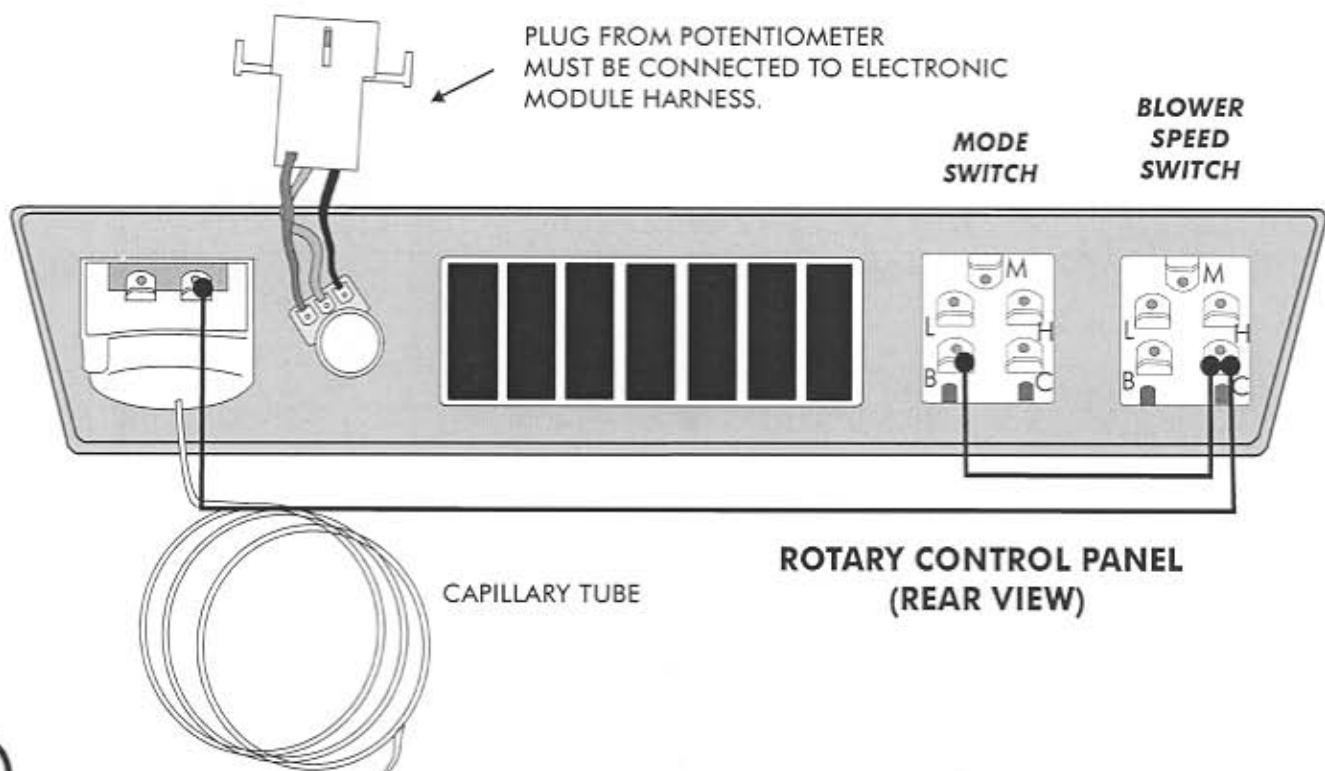


CONTROL PANEL INSTALLATION



- SELECT A SUITABLE LOCATION FOR THE CONTROL PANEL. CONSIDER HEATER CONTROL VALVE LOCATION, WIRING HARNESS LENGTH AND CAPILLARY TUBE TO EVAPORATOR DISTANCE. THE PANEL MAY BE MOUNTED UNDER THE DASH, OR SWITCHES CAN BE REMOVED AND INSTALLED DIRECTLY IN THE DASH.
- UNCOIL THE CAPILLARY TUBE FROM THE THERMOSTAT. INSERT THE TUBE INTO THE EVAPORATOR COIL TO A DEPTH OF 4-1/2". THE HOLE FOR THE CAPILLARY TUBE IS UNDER THE BLUE STICKER LOCATED ON TOP OF THE EVAPORATOR.

WIRING DIAGRAM - GEN II UNITS ROTARY CONTROL

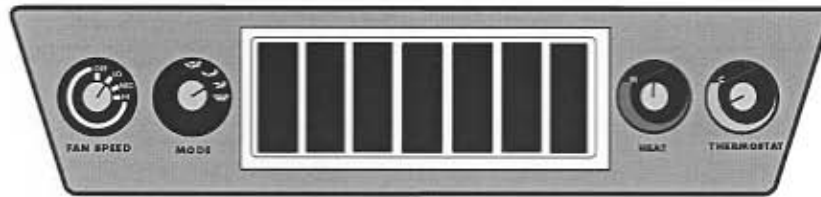


49205-RHA ROTARY CONTROL PANEL OPERATION

IMPORTANT NOTE: BEFORE OPERATING SYSTEM, CAREFULLY UNROLL CAPILLARY TUBE AND INSERT TO A DEPTH OF 4 1/2" THRU PRE-DRILLED HOLE IN TOP OF CASE (BLUE DOT).

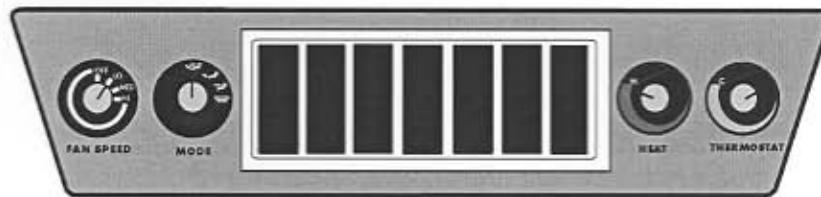
FAN SPEED CAN BE OPERATED IN ANY MODE POSITION.

A/C MODE



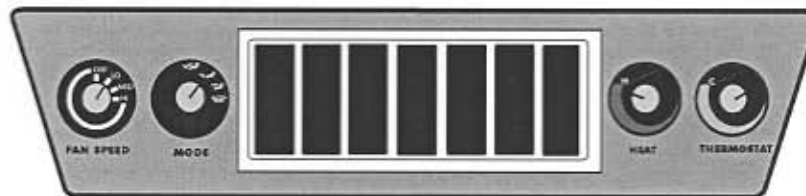
- ADJUST FAN SPEED KNOB TO DESIRED SETTING.
- ROTATE MODE KNOB TO VENT OR BI-LEVEL SETTINGS.
- ADJUST THERMOSTAT KNOB TO DESIRED COLD AIR SETTING (CLOCKWISE FOR MORE COLD AIR).
- **COLD AIR WILL FLOW OUT VENTS.**
- **NOTE:** DUCT TEMPERATURE CAN BE RAISED BY **SLIGHTLY** ROTATING HOT-AIR KNOB CLOCKWISE TO OPEN HOT WATER VALVE. HOT WATER VALVE MUST BE CLOSED (FULL COUNTER-CLOCKWISE) FOR COLDEST A/C SETTING.

BI-LEVEL HEAT MODE



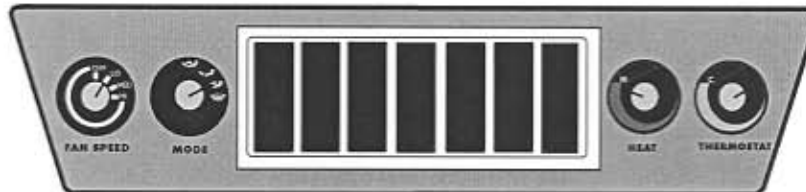
- ADJUST FAN SPEED KNOB TO DESIRED SETTING.
- ROTATE MODE KNOB TO BI-LEVEL SETTING.
- ADJUST HEAT KNOB TO DESIRED HEAT SETTING (CLOCKWISE FOR MORE HEAT).
- **HOT AIR WILL EXIT THE DASH VENTS & FLOOR VENTS.**

FLOOR HEAT MODE



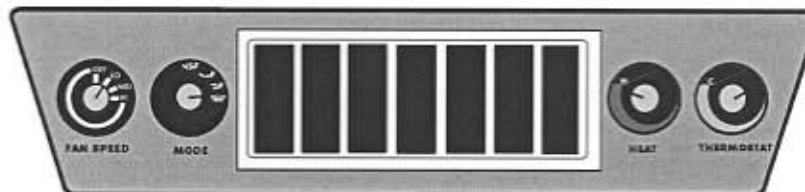
- ADJUST FAN SPEED KNOB TO DESIRED SETTING.
- ROTATE MODE KNOB TO FLOOR SETTING.
- ADJUST HEAT KNOB TO DESIRED HEAT SETTING (CLOCKWISE FOR MORE HEAT).
- **HOT AIR WILL EXIT THE FLOOR VENTS.**

DASH HEAT MODE

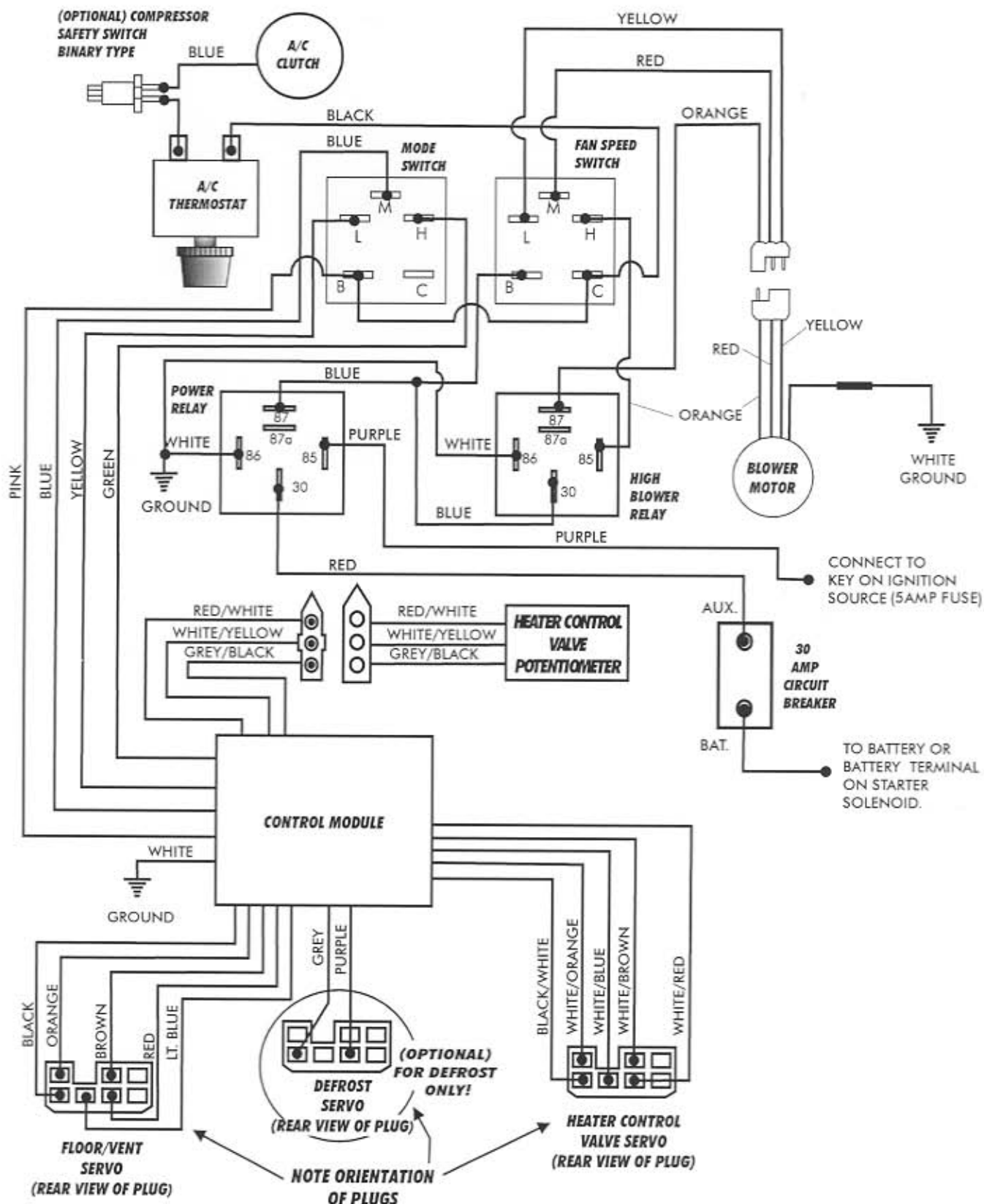


- ADJUST FAN SPEED KNOB TO DESIRED SETTING.
- ROTATE MODE KNOB TO DASH SETTING.
- ADJUST HEAT KNOB TO DESIRED HEAT SETTING (CLOCKWISE FOR MORE HEAT).
- **HOT AIR WILL EXIT THE DASH VENTS.**

DEFROST MODE (OPTIONAL)



- ADJUST FAN SPEED KNOB TO DESIRED SETTING.
- ROTATE MODE KNOB TO DEFROST SETTING.
- ROTATE THE THERMOSTAT KNOB FULL COUNTER-CLOCKWISE, THEN CLOCKWISE 1/8 TURN, TO ENGAGE COMPRESSOR IN MINIMUM CYCLE TIME FOR DEHUMIDIFIED DEFROST.
- ROTATE THE HOT AIR KNOB CLOCKWISE TO OPEN HOT WATER VALVE AND PROVIDE HEATED DEFROST AIR.
- **DEHUMIDIFIED DEFROST WILL BE DIRECTED TO THE WINDSHIELD.**

WIRING DIAGRAM - GEN II UNITS
HEAT/COOL/DEFROST 49205-RHA ROTARY CONTROL PANEL


CONTROL PANEL PACKING LIST
**CONTROL PANEL
49205-RHA**

No.	QTY.	PART No.	DESCRIPTION
1.	1	11092-VUT	THERMOSTAT 48" ADJUSTABLE ROTARY
2.	1	11413-RUA	ROTARY POT w/ PIGTAIL
3.	2	11458-VUS	3-SPD ROTARY BLOWER SWITCH
4.	4	18157-VUB	7/16" SHAFT NUT
5.	1	20558-VUP	LABEL BLOWER SWITCH
6.	1	20570-VUP	ROTARY MODE LABEL
7.	1	20571-VUP	ROTARY THERMOSTAT LABEL
8.	1	20572-VUP	ROTARY HEAT LABEL
9.	1	49205-RHI	GEN II POD w/ LOUVER
10.	1	49219-VUI	BLOWER SWITCH KNOB
11.	3	49457-VUI	CONTROL KNOB
12.	2	23123-VUW	BUDDY CLIP
13.	1	23139-VUW	6" JUMPER WIRE
14.	1	23138-VUW	11" JUMPER WIRE
15.	1	49157-VUL	LOUVER

CHECKED BY: _____
 PACKED BY: _____
 DATE: _____

