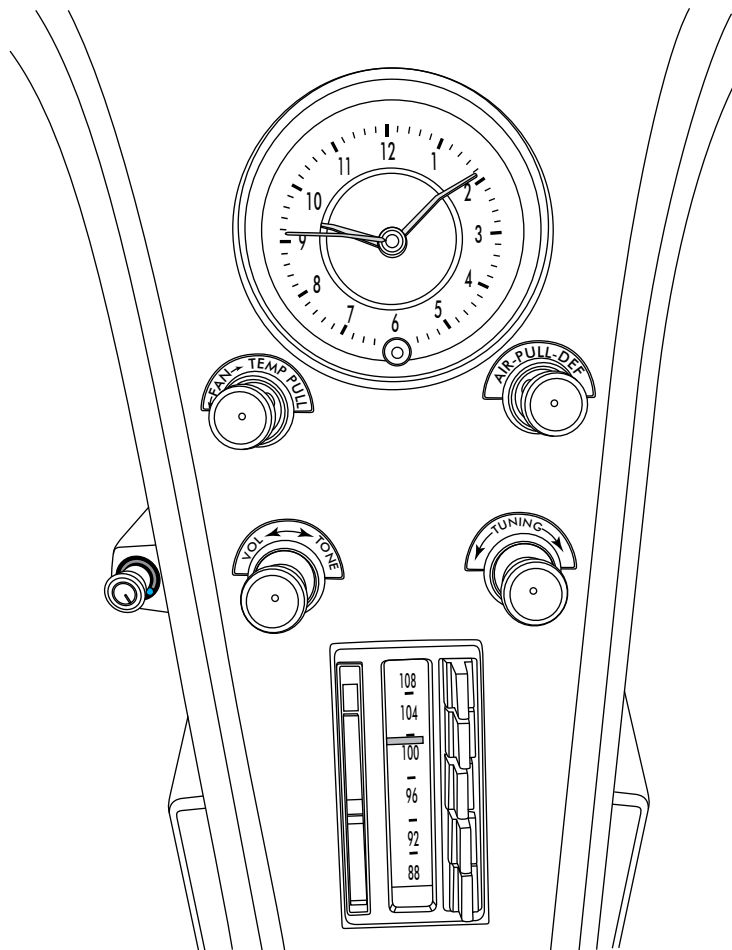




an ISO 9001: 2008 Registered Company

1963-67 CORVETTE

CONTROL PANEL
CONVERSION KIT
473165



18865 GOLL ST. - SAN ANTONIO, TX. - 78266 ph.210-654-7171 - fax 210-654-3113



Table of Contents

PAGES

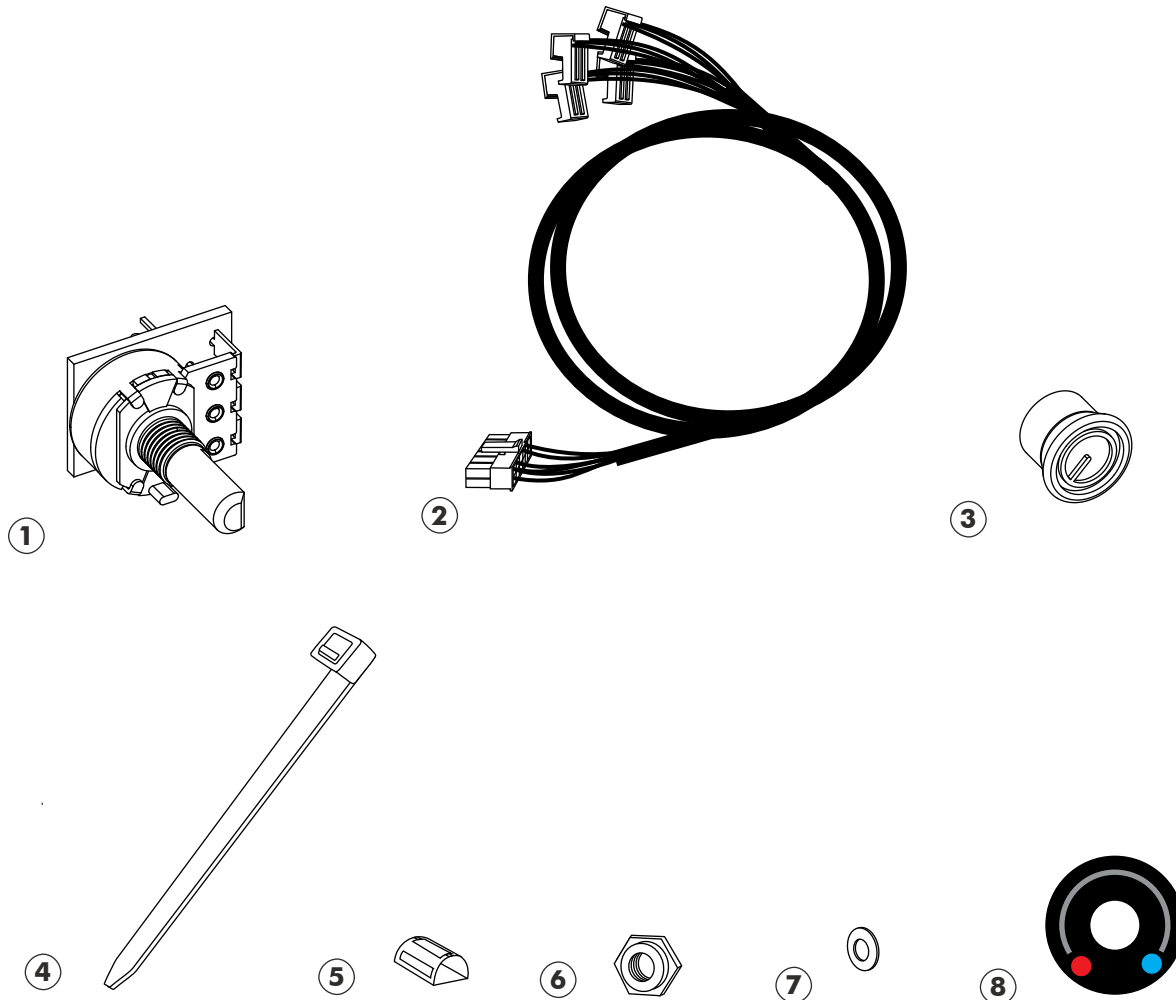
1. COVER
2. TABLE OF CONTENTS
3. PACKING LIST/ PARTS DISCLAIMER
4. REMOVING CONTROL KNOBS AND DASH MODIFICATION
5. CONTROL KNOB MODIFICATION
6. ROTARY POT INSTALLATION
7. FINAL STEPS
8. WIRING DIAGRAM
9. OPERATION OF CONTROLS
10. CONTROL PANEL KIT PACKING LIST



**CONTROL KIT
473165**

No	QTY	PART No.	DESCRIPTION
1.	3	246018-0	ROTARY POT ASM
2.	1	232002-VUA	GEN IV UNIVERSAL CONTROL HARNESS
3.	1	497004	KNOB SOFT BLACK METRIC
4.	5	21301-VUP	4" TIE WRAP
5.	2	187570	6mm D CLIP
6.	2	117002	63-67 CORVETTE ROTARY POT NUT
7.	1	186011	WASHER .625" OD x .281" ID
8.	1	205552	LABEL GEN IV ROTARY TEMP

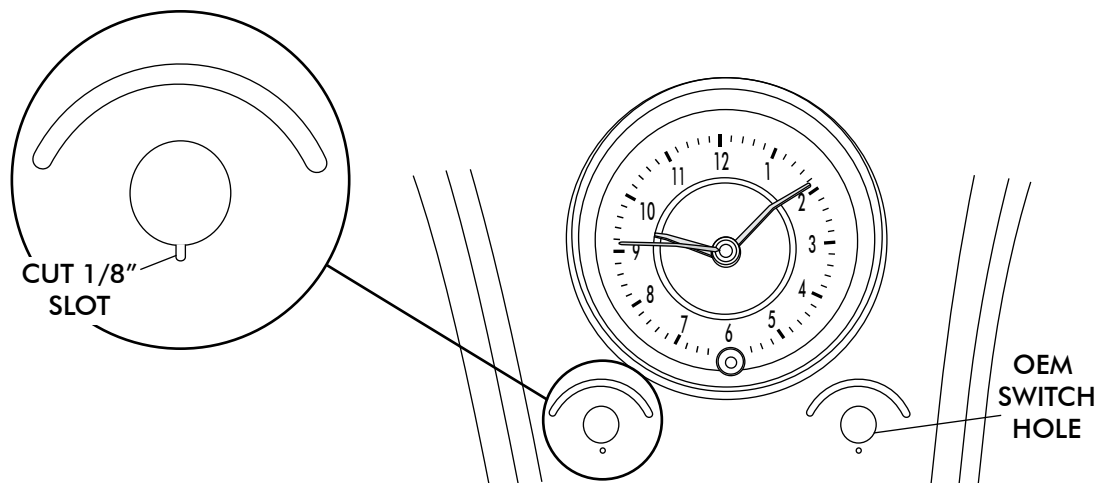
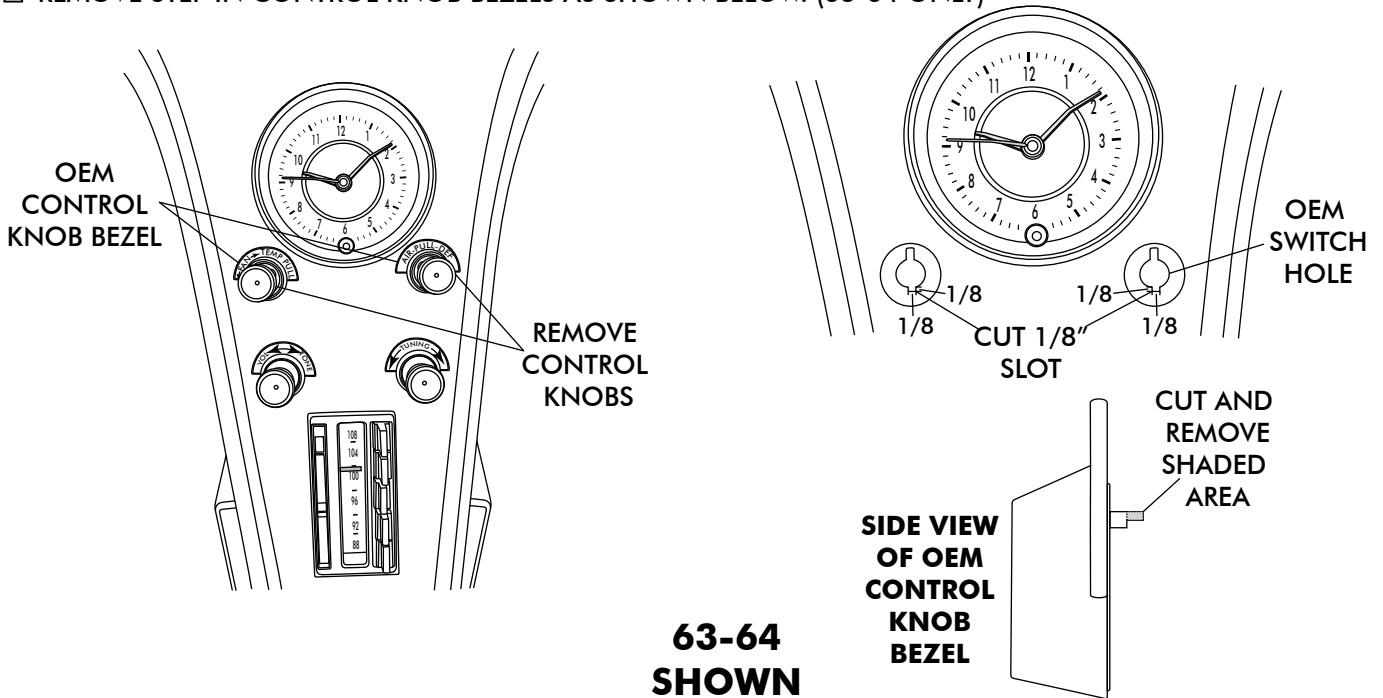
**** BEFORE BEGINNING INSTALLATION OPEN ALL PACKAGES AND CHECK CONTENTS OF SHIPMENT. PLEASE REPORT ANY SHORTAGES DIRECTLY TO VINTAGE AIR WITHIN 15 DAYS. AFTER 15 DAYS, VINTAGE AIR WILL NOT BE RESPONSIBLE FOR MISSING OR DAMAGED ITEMS.**





REMOVING CONTROL KNOBS AND DASH MODIFICATION

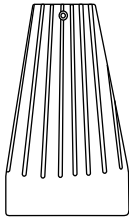
- REMOVE THE (2) OEM CONTROL KNOBS. (RETAIN)
- DISCONNECT CABLES AND WIRES FROM BACK OF CONTROL SWITCHES. (DISCARD)
- REMOVE OEM SWITCHES (DISCARD)
- REMOVE & RETAIN OEM CONTROL KNOB BEZELS.
- CUT 1/8" SLOT IN THE (2) OEM SWITCH HOLES. SEE BELOW.
- REMOVE STEP IN CONTROL KNOB BEZELS AS SHOWN BELOW. (63-64 ONLY)



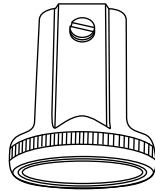


CONTROL KNOB MODIFICATION

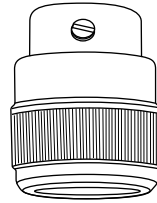
- **NOTE: HEATER-DEFROST KNOBS ARE SCREW-ON TYPE. HEATER-FAN KNOBS USE SET SCREW.**
- REMOVE SET SCREW.
- DRILL KNOBS IN THREE STEPS AS SHOWN BELOW. ACCURATE HOLE SIZE IS IMPORTANT FOR PROPER D-CLIP FIT.



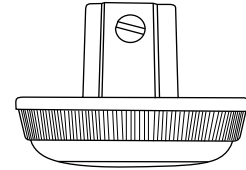
63-64
OEM KNOB



65
OEM KNOB

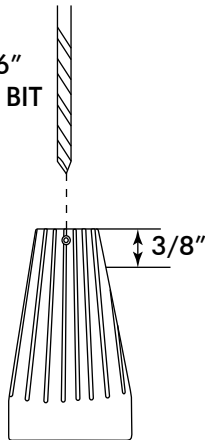


66
OEM KNOB



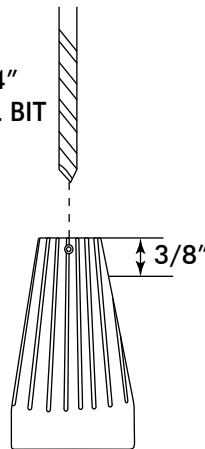
67
OEM KNOB

3/16"
DRILL BIT



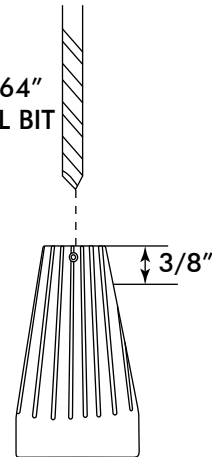
STEP 1
DRILL KNOB
3/16"

1/4"
DRILL BIT



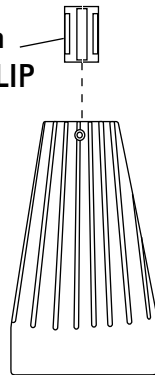
STEP 2
DRILL KNOB
1/4"

17/64"
DRILL BIT



STEP 3
FINALLY
DRILL KNOB
17/64"

6mm
"D" CLIP

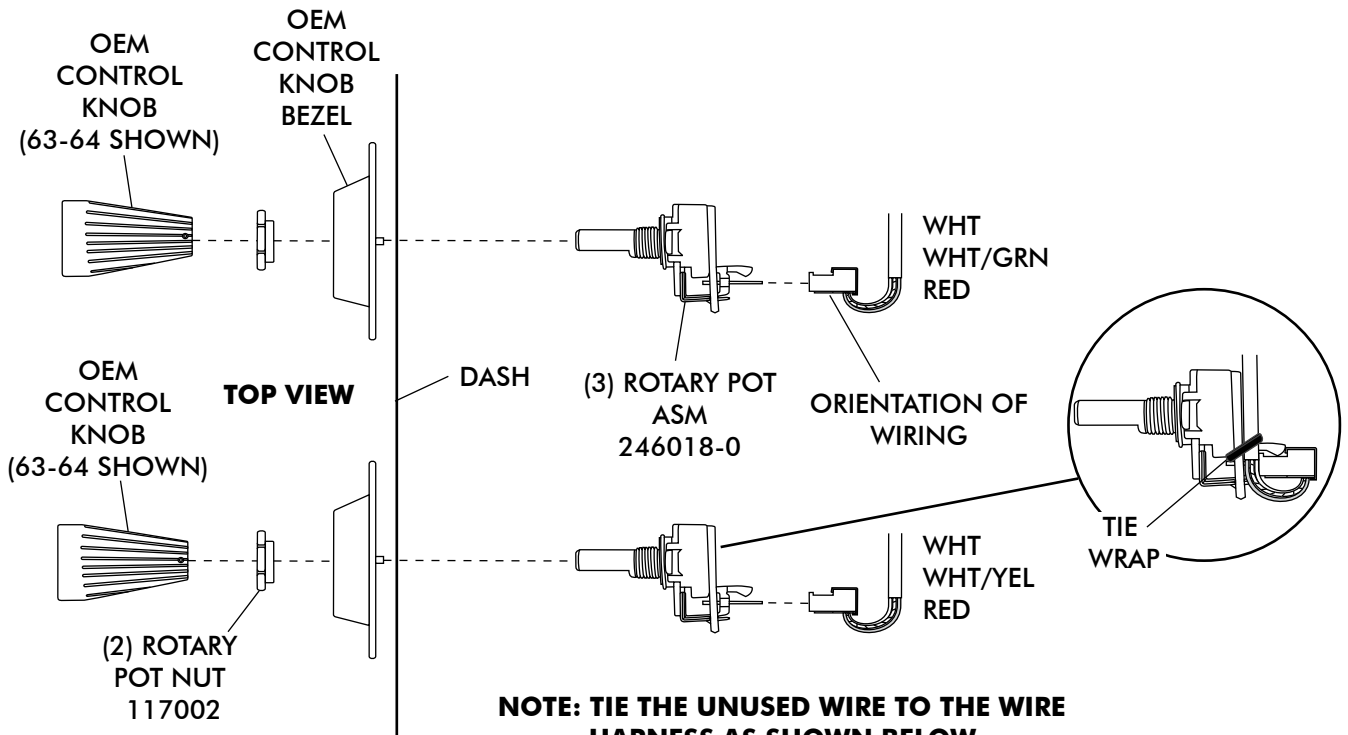


STEP 4
INSERT

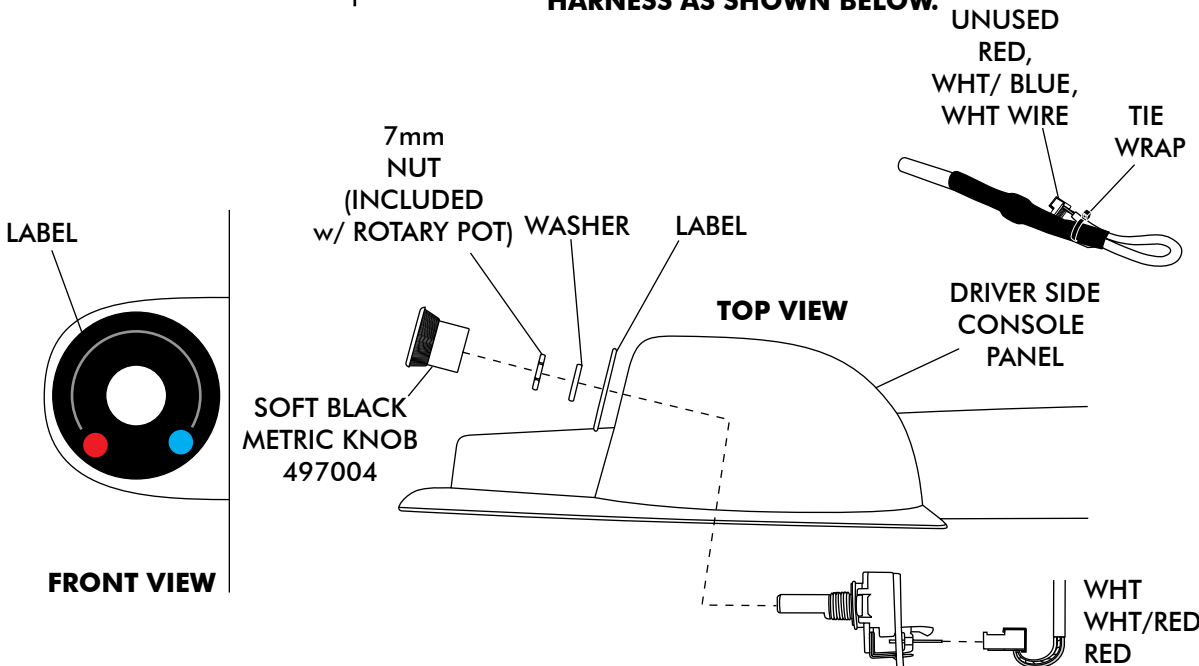


ROTARY POT INSTALLATION

- LOCATE THE (2) ROTARY POT ASSEMBLIES, AND INSTALL IN OEM SWITCH HOLES AS SHOWN BELOW.
- INSTALL ROTARY POT ASSEMBLY AND LABEL IN DRIVER SIDE CONSOLE PANEL AS SHOWN BELOW.
- INSTALL OEM KNOB
- TIE WRAP WIRES TO ROTARY POTS AS SHOWN.



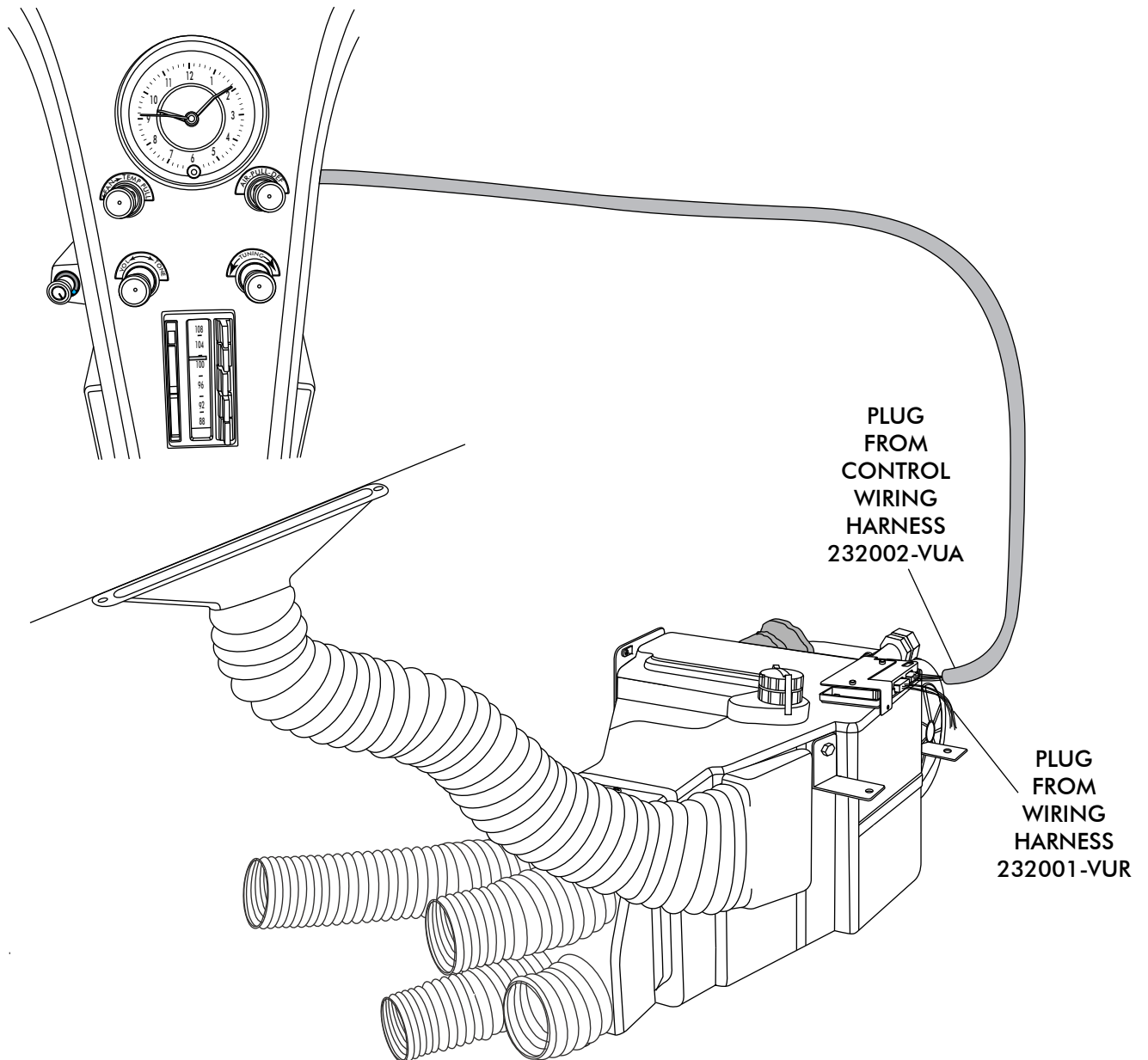
NOTE: TIE THE UNUSED WIRE TO THE WIRE HARNESS AS SHOWN BELOW.





FINAL STEPS

- PLUG THE WIRING HARNESS INTO THE ECU MODULE ON SUB CASE. SEE BELOW.
- WIRE ACCORDING TO WIRING DIAGRAM ON PAGE 8.





OPERATION OF CONTROLS

THE TEMPERATURE KNOB TOGGLES BETWEEN A/C AND HEAT MODES. FOR A/C MODE ROTATE THE TEMPERATURE KNOB ALL THE WAY LEFT. FOR HEAT MODE ROTATE THE KNOB ALL THE WAY TO THE RIGHT TO DISENGAGE THE COMPRESSOR, THEN MOVE THE KNOB TO SELECT DESIRED TEMPERATURE.

NOTE: EACH TIME THE SYSTEM TOGGLES BETWEEN MODES, THE BLOWER WILL MOMENTARILY CHANGE SPEEDS.

ALL SWITCHES ARE VARIABLE BETWEEN POSITIONS, SYSTEM WILL PERFORM A BLEND BETWEEN THE FUNCTIONS.

BLOWER SPEED

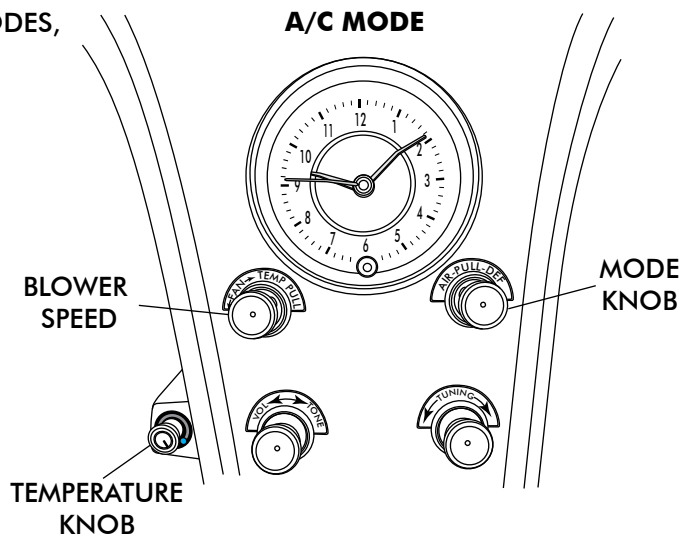
THIS KNOB CONTROLS THE BLOWER SPEED, FROM OFF TO HI

MODE KNOB

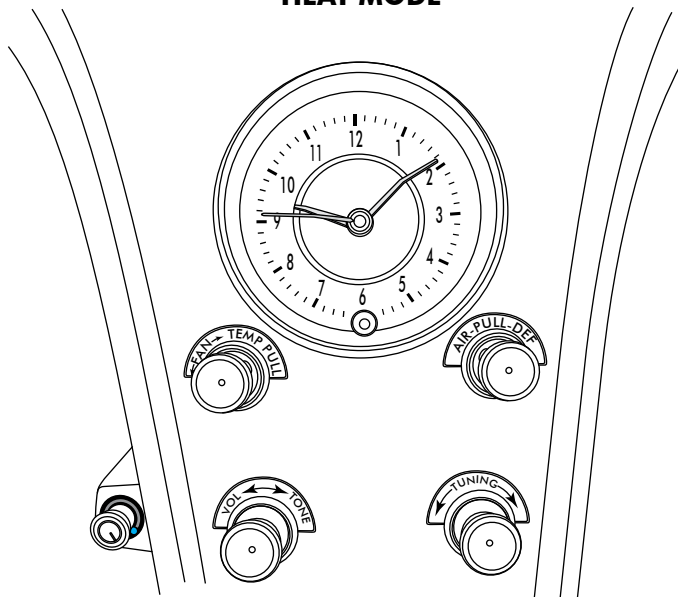
ROTATE THE KNOB TO THE LEFT TO DIRECT AIR FLOW TO THE DASH VENTS

TEMPERATURE KNOB

IN A/C MODE ROTATE THE TEMPERATURE KNOB ALL THE WAY RIGHT TO THE COLD POSITION TO ENGAGE COMPRESSOR. (ROTATE KNOB LEFT OR RIGHT TO ADJUST DESIRED TEMPERATURE)



HEAT MODE



BLOWER SPEED

ROTATE KNOB RIGHT TO DESIRED BLOWER SPEED FROM OFF TO HI.

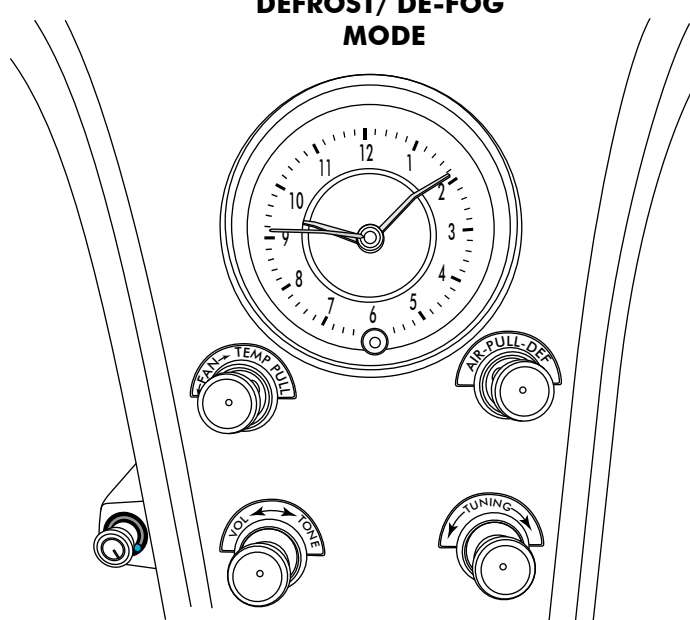
MODE KNOB

ROTATE THE KNOB TO THE CENTER TO DIRECT AIR FLOW TO THE FLOOR.

TEMPERATURE KNOB

IN HEAT MODE ROTATE THE TEMPERATURE KNOB ALL THE WAY LEFT TO THE HOT POSITION. (ROTATE KNOB LEFT OR RIGHT TO ADJUST DESIRED TEMPERATURE)

DEFROST/ DE-FOG MODE



BLOWER SPEED

ROTATE KNOB RIGHT TO DESIRED BLOWER SPEED FROM OFF TO HI.

MODE KNOB

ROTATE THE KNOB TO THE RIGHT TO DIRECT AIR FLOW TO THE DEFROST VENTS.

TEMPERATURE KNOB

ROTATE KNOB LEFT OR RIGHT TO ADJUST DESIRED TEMPERATURE. (COMPRESSOR IS AUTOMATICALLY ENGAGED)



**CONTROL KIT
473165**

No	QTY	PART No.	DESCRIPTION	CHECK LIST
1.	3	246018-0	ROTARY POT ASM	_____
2.	1	232002-VUA	GEN IV UNIVERSAL CONTROL HARNESS	_____
3.	1	497004	KNOB SOFT BLACK METRIC	_____
4.	5	21301-VUP	4" TIE WRAP	_____
5.	2	187570	6mm D CLIP	_____
6.	2	117002	63-67 CORVETTE ROTARY POT NUT	_____
7.	1	186011	WASHER .625" OD x .281" ID	_____
8.	1	205552	LABEL GEN IV ROTARY TEMP	_____

CHECKED BY: _____
 PACKED BY: _____
 DATE: _____

