

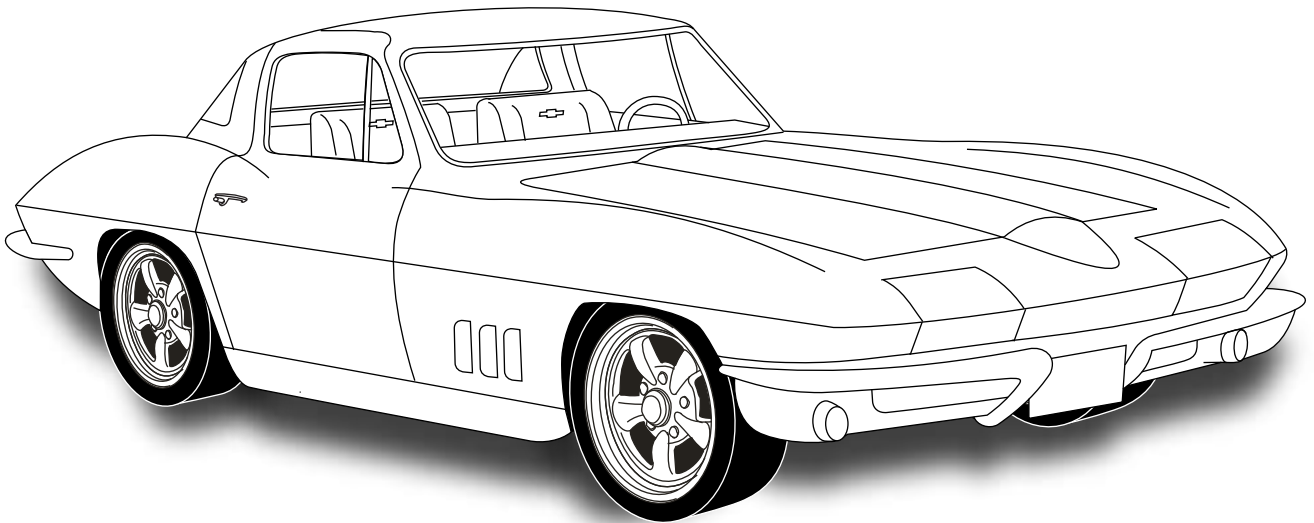


an ISO 9001:2008 Registered Company

1963-65 CORVETTE

CONDENSER KIT

027065



18865 GOLL ST. - SAN ANTONIO, TX. - 78266 ph.210-654-7171 - fax 210-654-3113



Table of Contents

PAGES

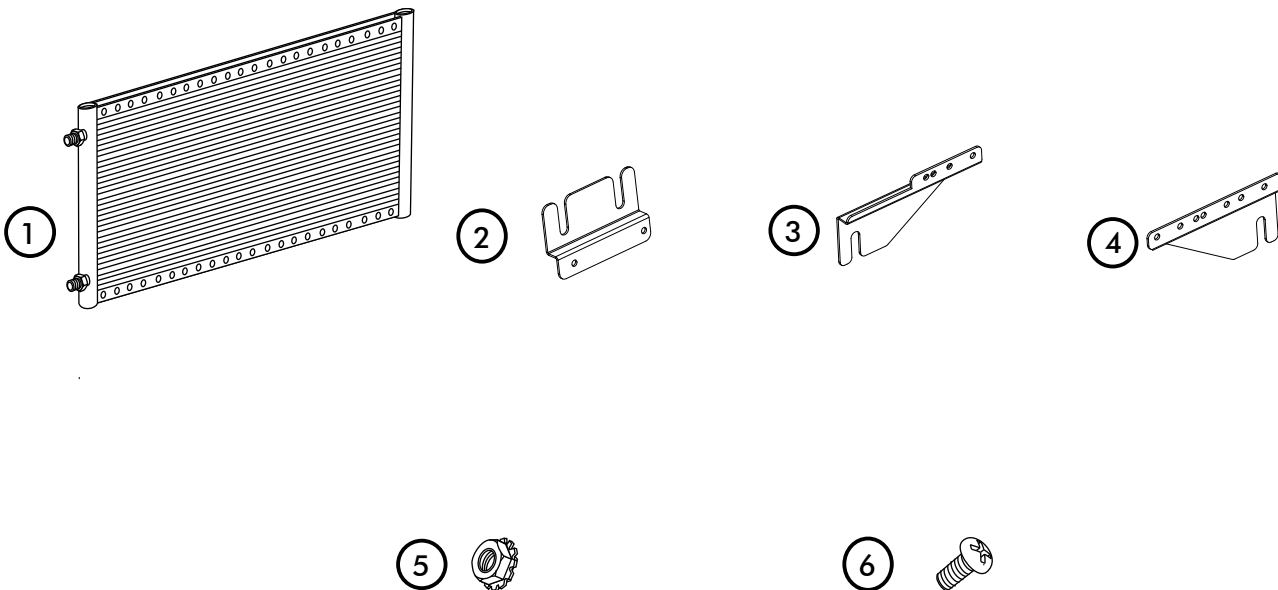
1. COVER
2. TABLE OF CONTENTS
3. PACKING LIST/PARTS DISCLAIMER
4. MOUNTING BRACKET INSTALLATION
5. MOUNTING BRACKET INSTALLATION CONT.
6. CONDENSER INSTALLATION
7. PACKING LIST



**CONDENSER KIT
027065**

No.	QTY.	PART No.	DESCRIPTION
1.	1	03766-VUC	14 X 22 PARALLEL FLOW COND.
2.	1	644037	BRKT 63-65 VETTE COND TOP
3.	1	644038	BRKT 63-67 VETTE COND PASS SIDE BTM
4.	1	644039	BRKT 63-67 VETTE COND DR SIDE BTM
5.	6	18260-VUB	10-24 NUT w/STAR WASHER
6.	6	18249-VUB	10-24 x 3/8" PAN HEAD SCREW

**** BEFORE BEGINNING INSTALLATION OPEN ALL PACKAGES AND CHECK CONTENTS OF SHIPMENT. PLEASE REPORT ANY SHORTAGES DIRECTLY TO VINTAGE AIR WITHIN 15 DAYS. AFTER 15 DAYS, VINTAGE AIR WILL NOT BE RESPONSIBLE FOR MISSING OR DAMAGED ITEMS.**

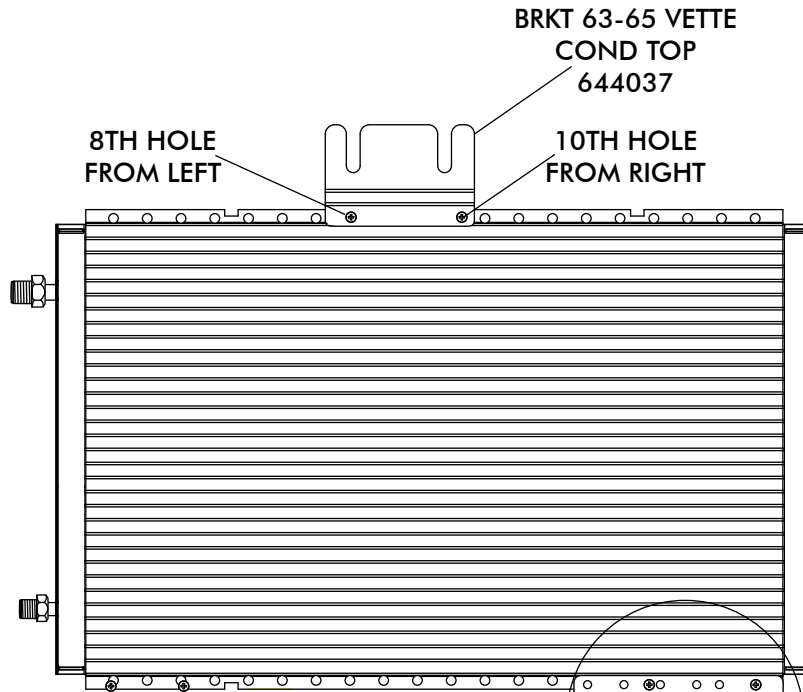




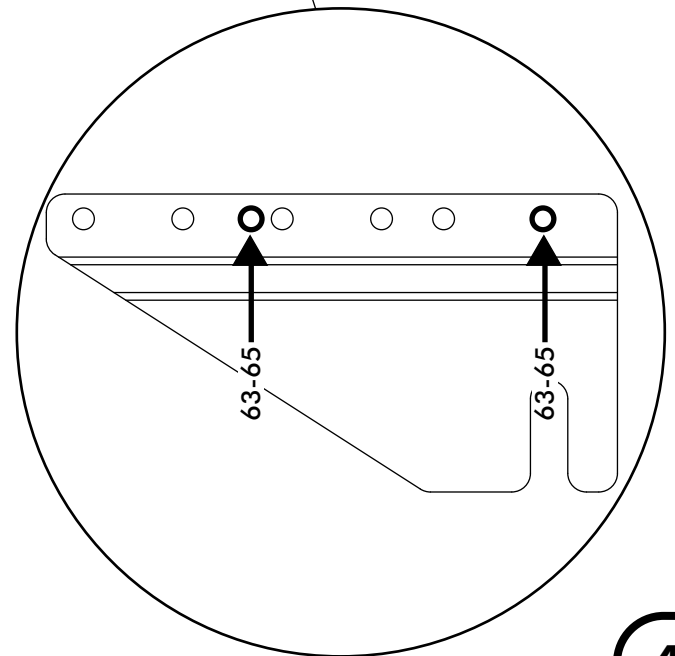
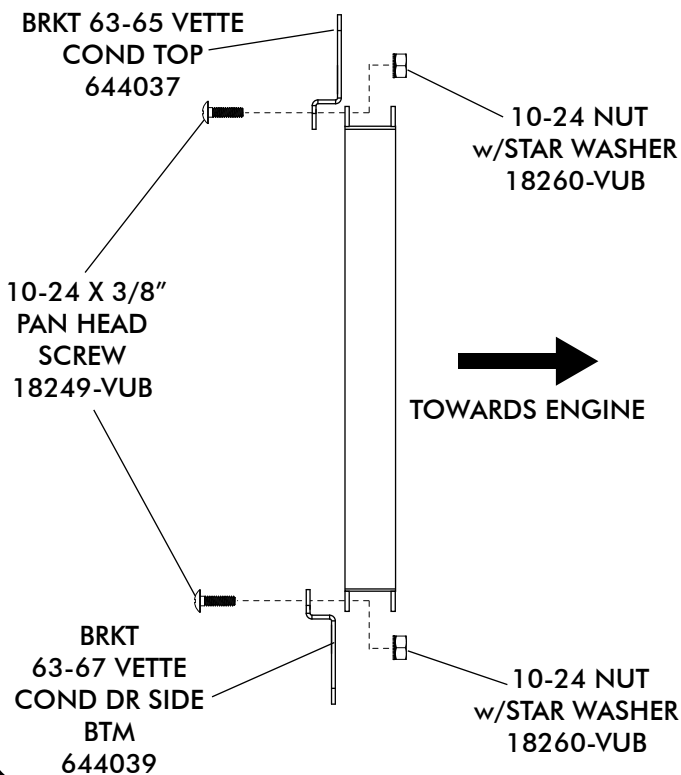
NOTE: MARK HINGE LOCATION ON HOOD AND REMOVE HOOD. REMOVE HOOD PROP.

MOUNTING BRACKET INSTALLATION

- INSTALL MOUNTING BRACKETS ON TO CONDENSER USING 10-24 x 3/8" PAN HEAD SCREWS AND 10-24 NUTS w/STAR WASHERS AS SHOWN BELOW.



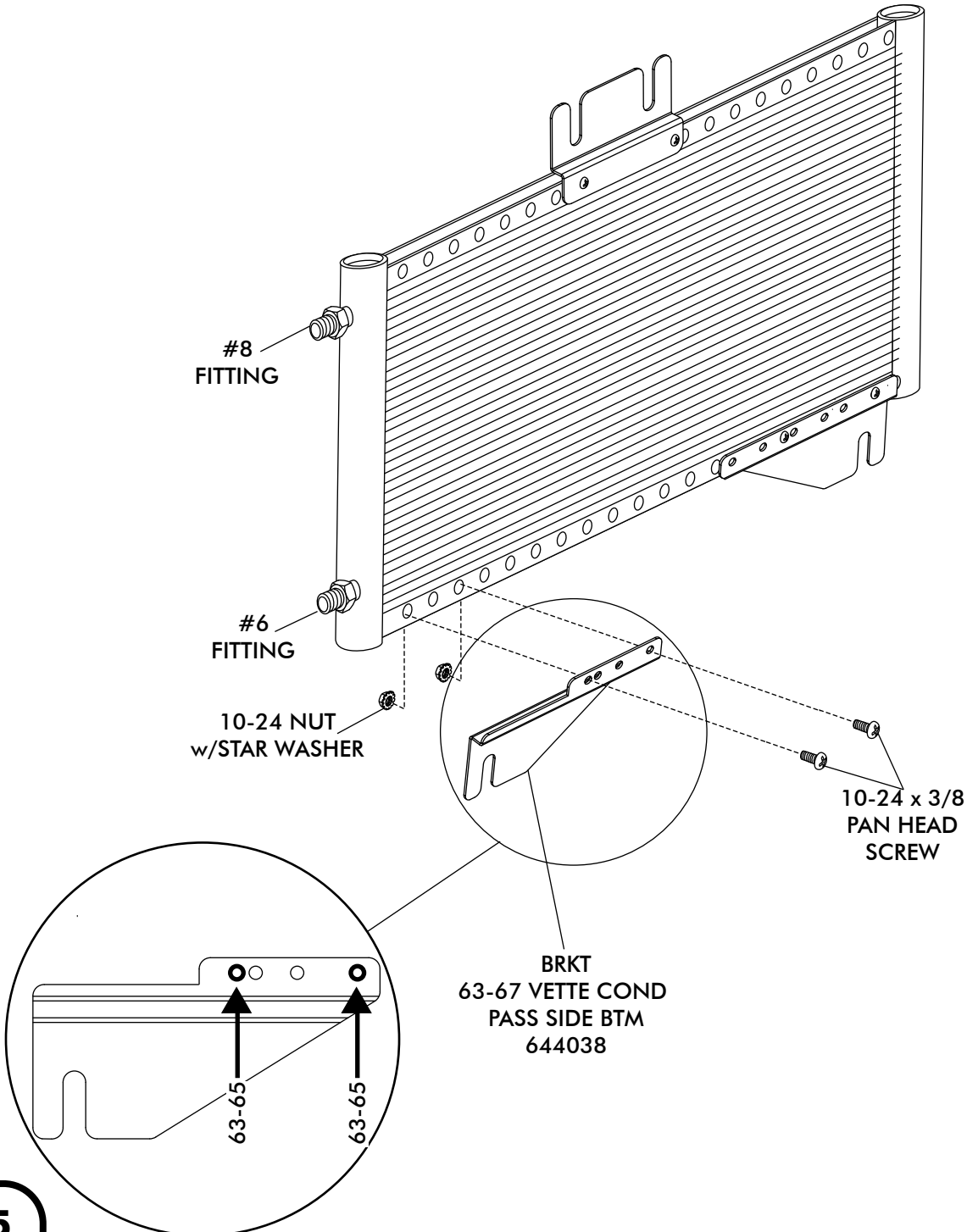
SIDE VIEW OF CONDENSER





MOUNTING BRACKET INSTALLATION CONT.

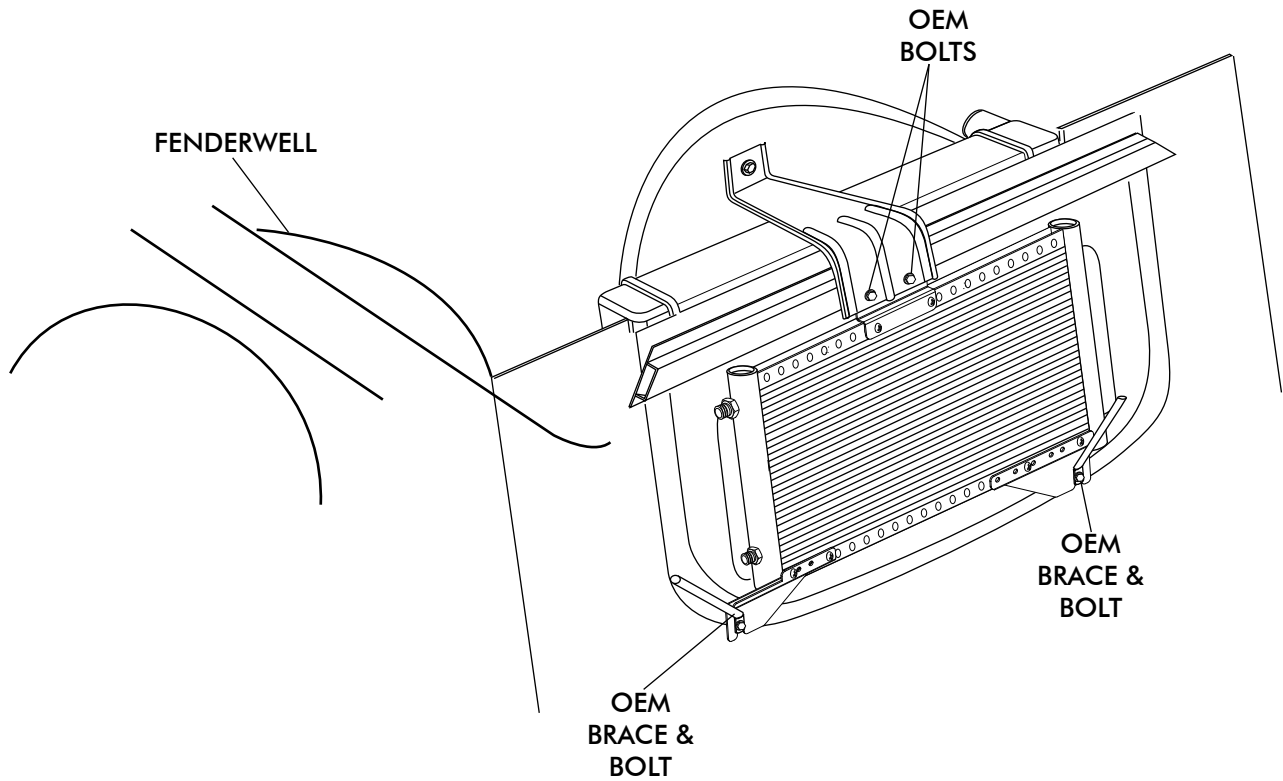
- INSTALL MOUNTING BRACKET ON TO CONDENSER USING 10-24 x 3/8" PAN HEAD SCREWS AND 10-24 NUTS w/STAR WASHERS AS SHOWN BELOW. NOTE: BRACKET MOUNTS THROUGH THE 1ST AND 3RD HOLES IN THE CONDENSER.





CONDENSER INSTALLATION

□ INSTALL CONDENSER IN FRONT OF CORE SUPPORT AS SHOWN BELOW, USING OEM BOLTS.





**CONDENSER KIT
027065**

No.	QTY.	PART No.	DESCRIPTION	
1.	1	03766-VUC	14 X 22 PARALLEL FLOW COND.	_____
2.	1	644037	BRKT 63-65 VETTE COND TOP	_____
3.	1	644038	BRKT 63-67 VETTE COND PASS SIDE BTM	_____
4.	1	644039	BRKT 63-67 VETTE COND DR SIDE BTM	_____
5.	6	18260-VUB	10-24 NUT w/STAR WASHER	_____
6.	6	18249-VUB	10-24 x 3/8" PAN HEAD SCREW	_____

CHECKED BY: _____
 PACKED BY: _____
 DATE: _____

