

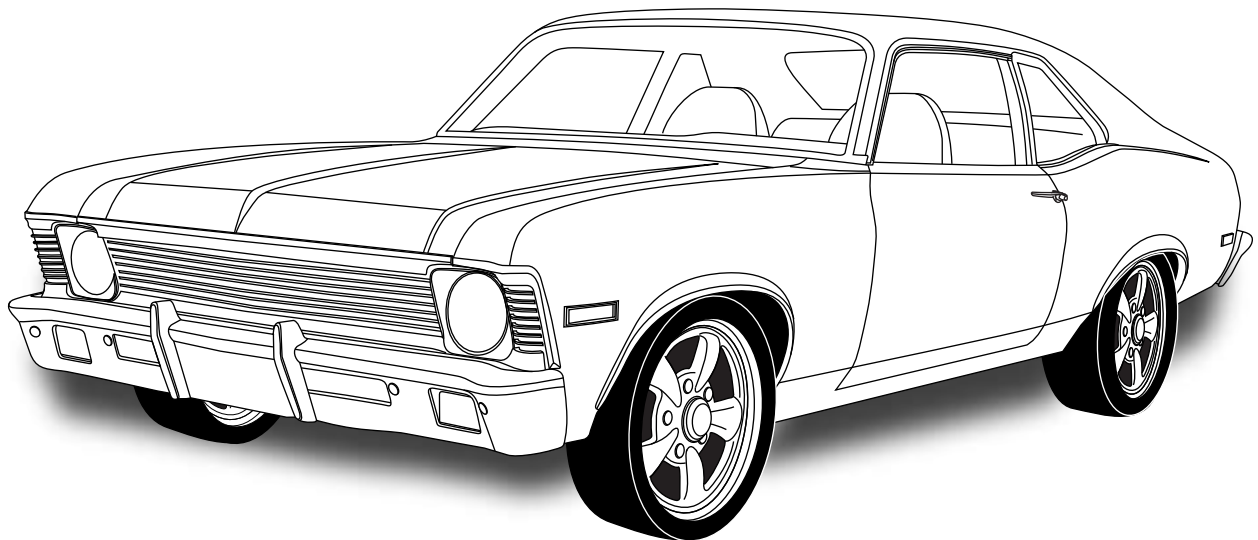


an ISO 9001:2008 Registered Company

1969-72 CHEVY NOVA

CONDENSER WITH DRIER

021171



18865 GOLL ST. - SAN ANTONIO, TX. - 78266 ph.210-654-7171 - fax 210-654-3113



TABLE OF CONTENTS

PAGES

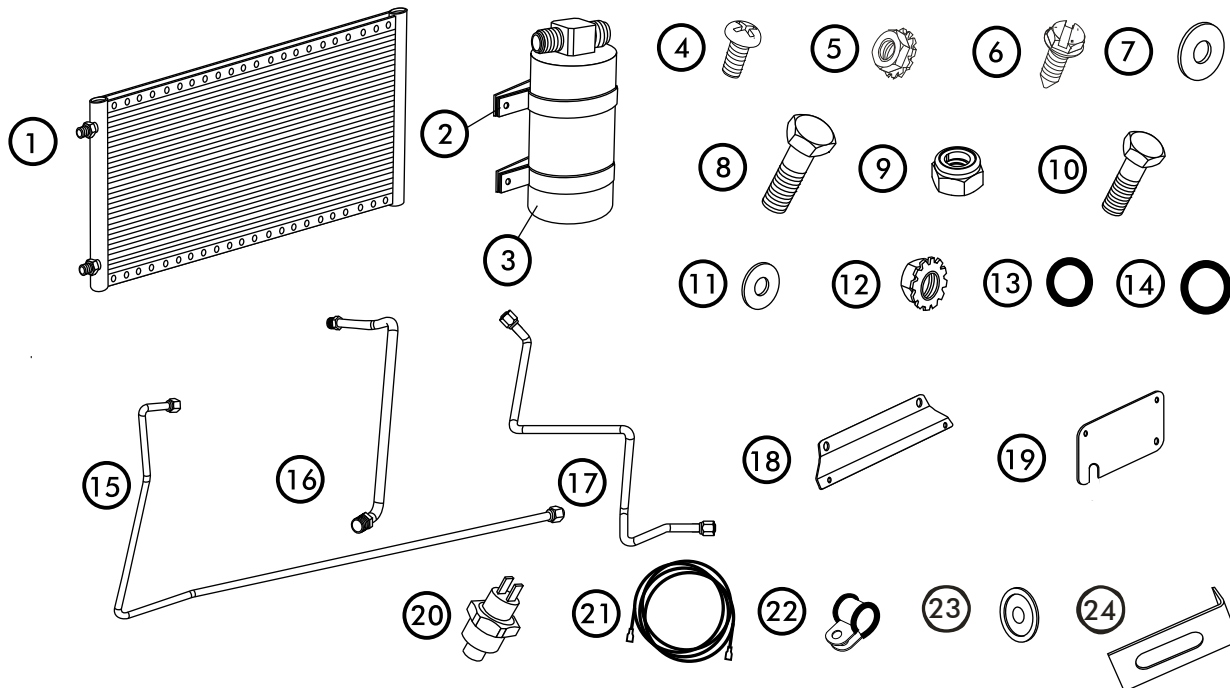
1. COVER
2. TABLE OF CONTENTS
3. PACKING LIST/PARTS DISCLAIMER
4. INFORMATION PAGE
5. INFORMATION PAGE
6. MOUNTING BRACKET INSTALLATION
7. RADIATOR/HOOD LATCH REMOVAL & HARDLINE INSTALLATION
8. CONDENSER INSTALLATION
9. HOOD LATCH & HARDLINE INSTALLATION
10. DRIER/SAFETY SWITCH & HARDLINE INSTALLATION
11. TEMPLATE PAGE
12. PACKING LIST



**CONDENSER KIT
021171**

No.	QTY.	PART No.	DESCRIPTION
1.	1	03767-VUC	14 X 24 PARALLEL FLOW COND.
2.	2	07113-VUB	DRIER CLAMP
3.	1	07321-VUC	DRIER
4.	7	18249-VUB	10-24 X 3/8 PAN HEAD SCREW
5.	7	18260-VUB	10-24 NUT W/STAR WASHER
6.	1	18266-VUB	#14 X 3/4 SHEETMETAL SCREW
7.	2	18611-VUB	5/16 FLAT WASHER
8.	1	18308-VUB	5/16 -18 X 1 HEX BOLT
9.	1	18151-VUB	5/16 NYLON LOCKNUT
10.	2	18290-VUB	1/4-20 X 1 HEX BOLT
11.	3	18125-VUB	1/4 FLAT WASHER
12.	2	18152-VUB	1/4-20 NUT W/STAR WASHER
13.	2	33857-VUF	#6 O-RING
14.	2	33858-VUF	#8 O-RING
15.	1	09169-FFD	HARDLINE 69-72 CAMARO/NOVA #8 COND/HARDLINE
16.	1	091165	HARDLINE 69-72 NOVA #8 HARDLINE/COMP
17.	1	091164	HARDLINE 69-72 NOVA #6 DRIER/COND HARDLINE
18.	1	643055	BRACKET 68-72 NOVA TOP CONDENSER
19.	1	643056	BRACKET 68-72 NOVA BOTTOM CONDENSER
20.	1	11079-VUS	MALE BINARY SWITCH
21.	1	23127-VUW	72" COMPRESSOR LEAD
22.	3	31603-VUD	#4 ADEL CLAMP
23.	1	33137-VUI	GROMMET LARGE
24.	1	64144-VUB	#8 COND. HARDLINE BRKT.

****BEFORE BEGINNING INSTALLATION OPEN ALL PACKAGES AND CHECK CONTENTS OF SHIPMENT PLEASE REPORT ANY SHORTAGES DIRECTLY TO VINTAGE AIR WITHIN 15 DAYS. AFTER 15 DAYS, VINTAGE AIR WILL NOT BE RESPONSIBLE FOR MISSING OR DAMAGED ITEMS.**



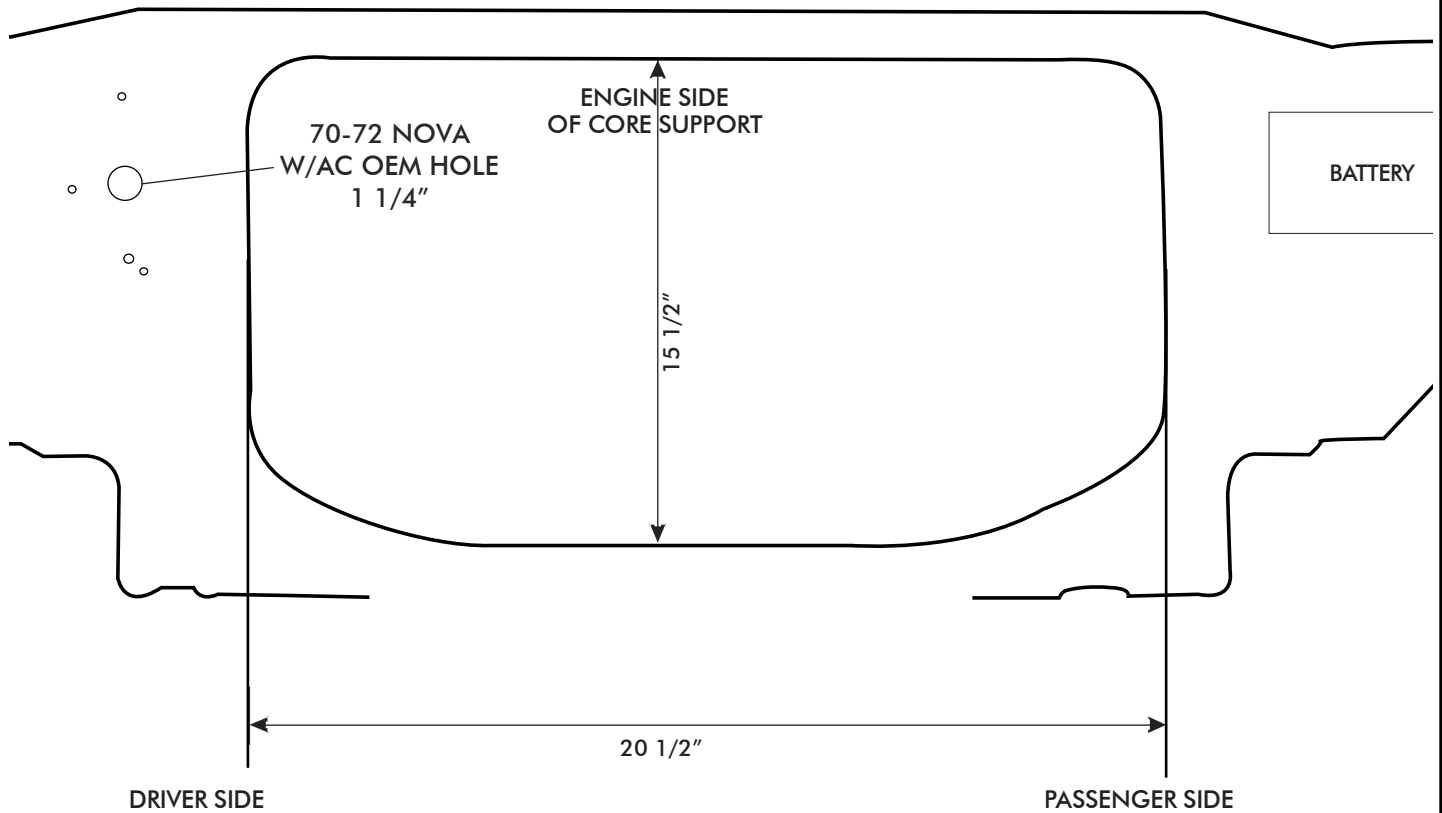
NOTE: IMAGES MAY NOT DEPICT ACTUAL PARTS AND QUANTITIES. REFER TO PACKING LIST FOR ACTUAL PARTS AND QUANTITIES



1969-72 NOVA

IMPORTANT NOTICE-PLEASE READ

THIS KIT WAS DEVELOPED BASED ON THE MEASUREMENTS BELOW, WHICH WERE TAKEN FROM A 1972 NOVA w/ FACTORY AIR CORE SUPPORT.



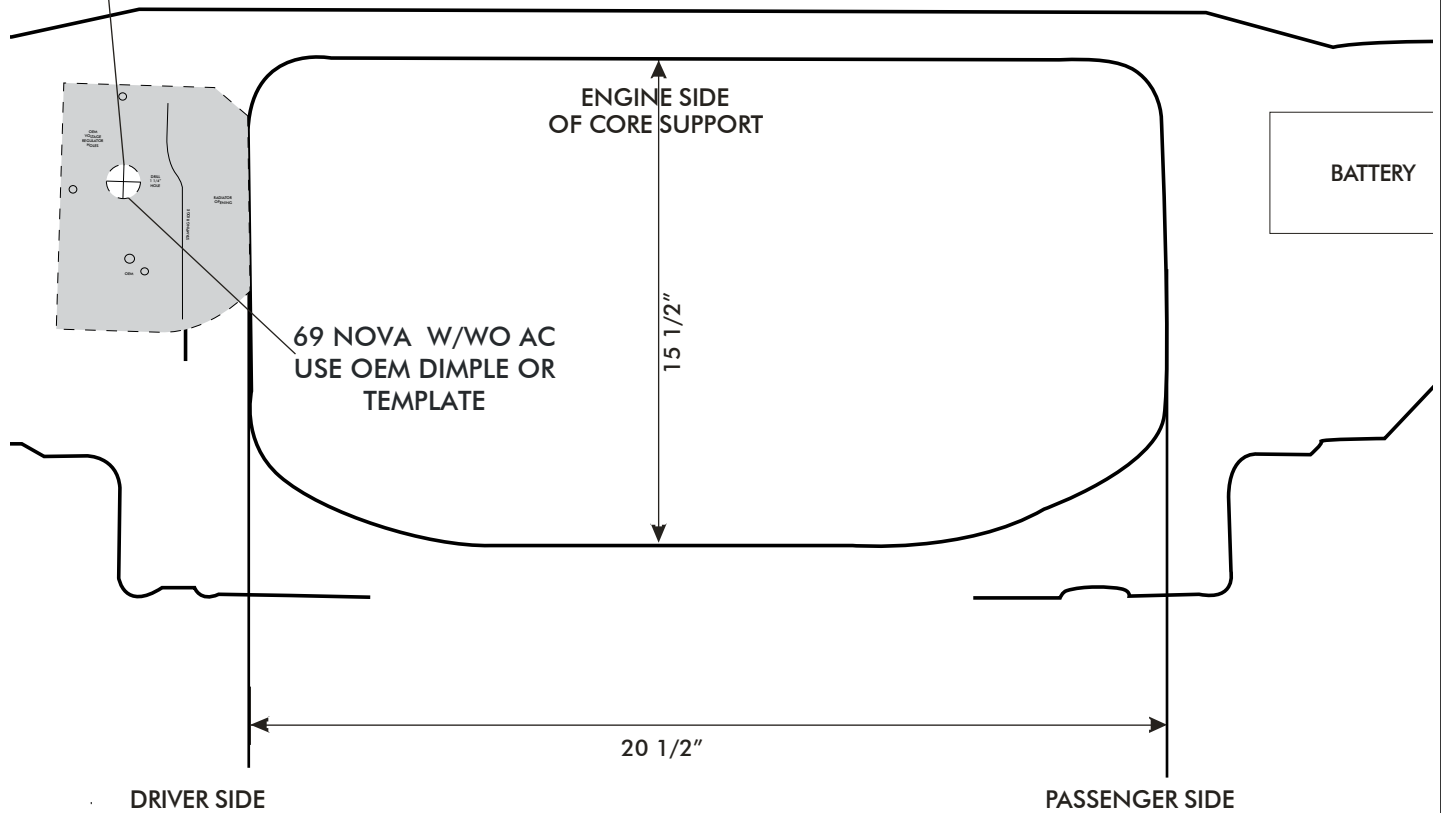


1969-72 NOVA

IMPORTANT NOTICE-PLEASE READ

THIS KIT WAS DEVELOPED BASED ON THE MEASUREMENTS BELOW, WHICH WERE TAKEN FROM A 1970 NOVA w/o FACTORY AIR CORE SUPPORT.

70-72 NOVA W/O AC
USE OEM DIMPLE OR
TEMPLATE



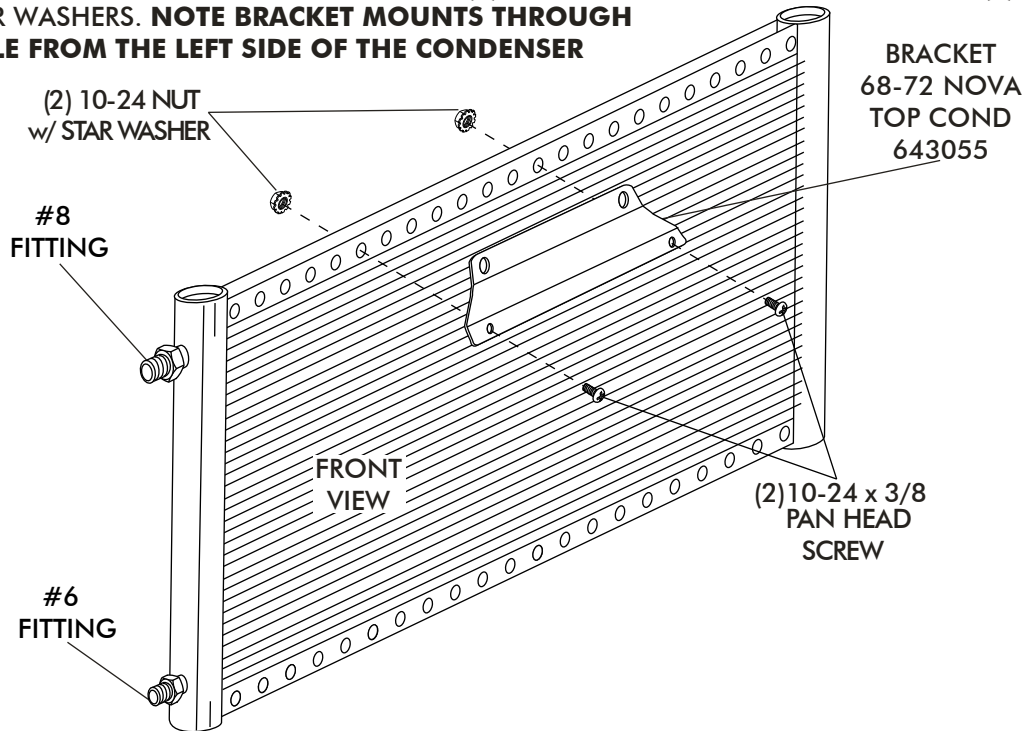
NOTE: IF USING OEM HOLE LARGER THAN 1 1/4", GROMMET NOT REQUIRED.

- USING OEM DIMPLE OR TEMPLATE (PAGE 11) MARK AND LOCATE HOLE.
- DRILL 1 1/4" HOLE.
- INSTALL GROMMET.

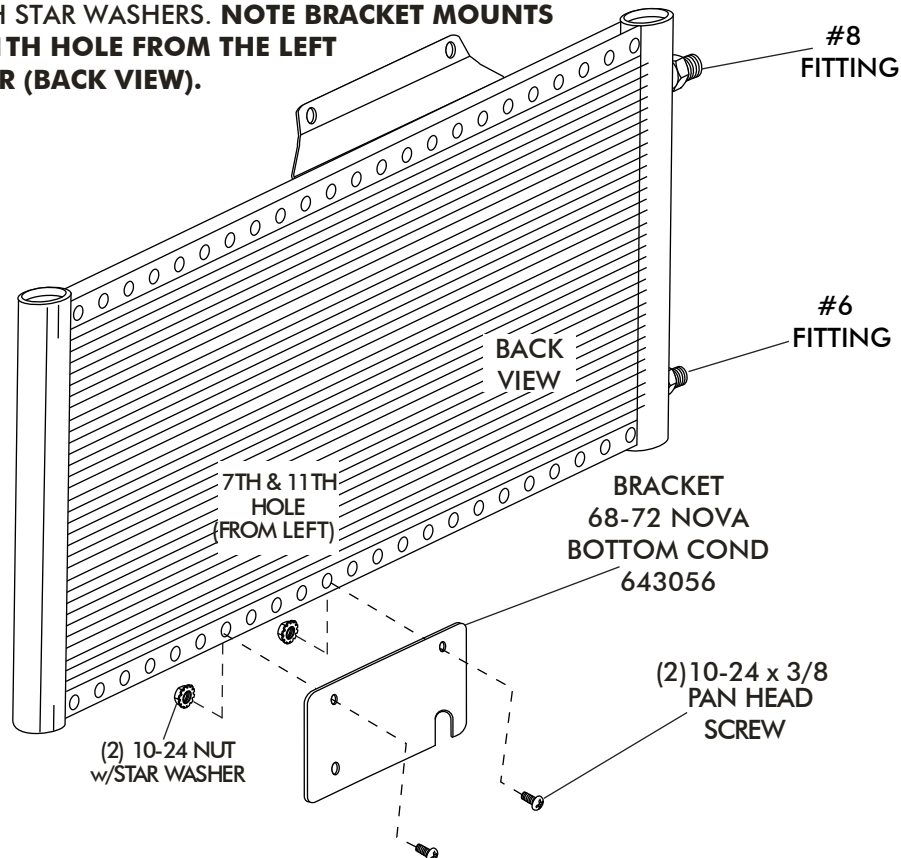


MOUNTING BRACKET INSTALLATION

- INSTALL TOP MOUNTING BRACKET ON TO CONDENSER USING (2) 10-24 X 3/8 PAN HEAD SCREWS AND (2) 10-24NUTS WITH STAR WASHERS. **NOTE BRACKET MOUNTS THROUGH THE 6TH & 13TH HOLE FROM THE LEFT SIDE OF THE CONDENSER (FRONT VIEW).**



- INSTALL BOTTOM MOUNTING BRACKET ON TO CONDENSER USING (2) 10-24 X 3/8 PAN HEAD SCREWS AND (2) 10-24 NUTS WITH STAR WASHERS. **NOTE BRACKET MOUNTS THROUGH THE 7TH & 11TH HOLE FROM THE LEFT SIDE OF THE CONDENSER (BACK VIEW).**



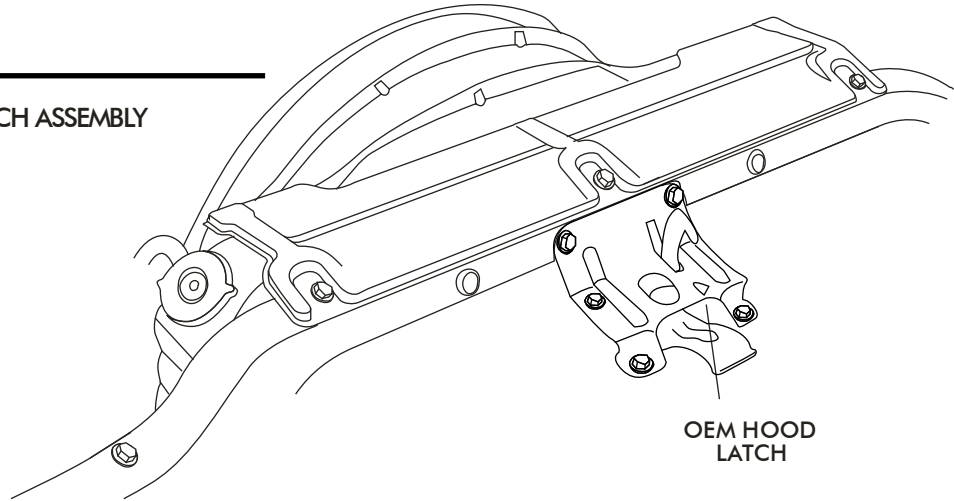


RADIATOR REMOVAL

- DRAIN RADIATOR, REMOVE UPPER AND LOWER RADIATOR HOSES AND REMOVE RADIATOR.

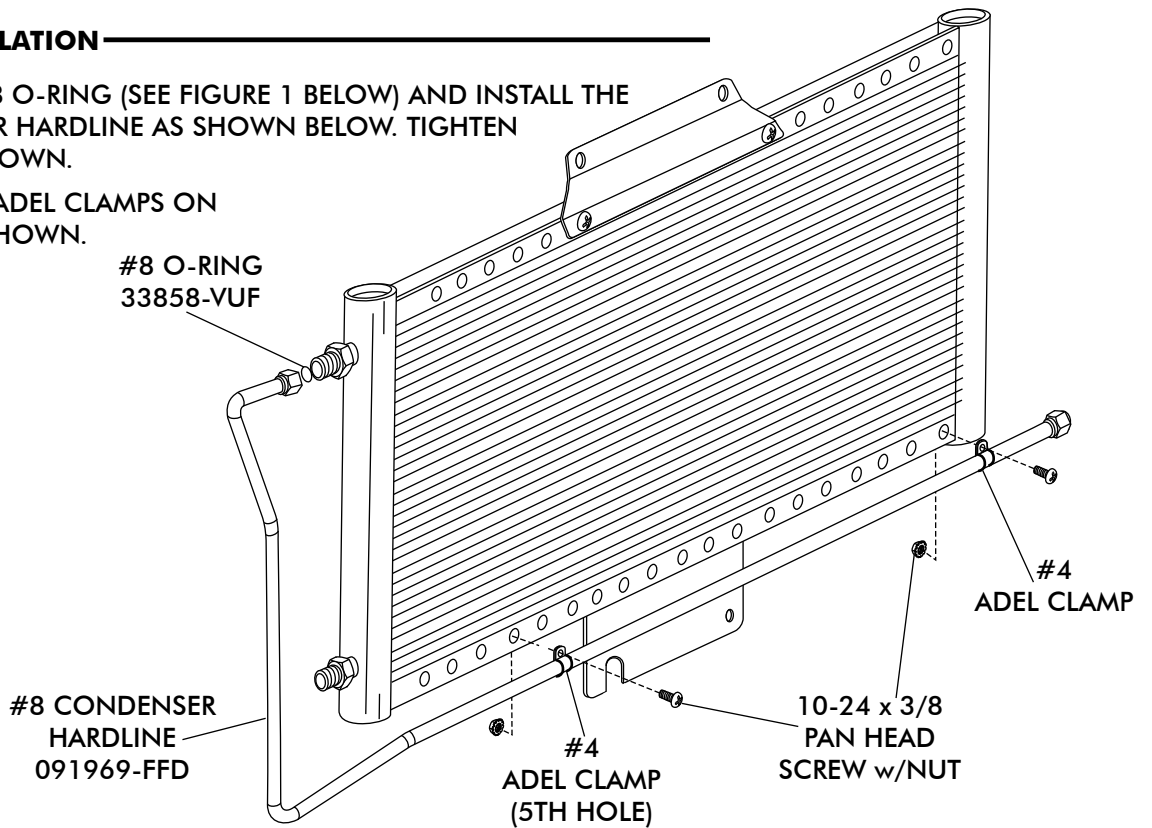
HOOD LATCH ASSEMBLY

- REMOVE OEM HOOD LATCH ASSEMBLY



HARDLINE INSTALLATION

- LUBRICATE A #8 O-RING (SEE FIGURE 1 BELOW) AND INSTALL THE #8 CONDENSER HARDLINE AS SHOWN BELOW. TIGHTEN FITTINGS AS SHOWN.
- INSTALL (2) #4 ADEL CLAMPS ON HARDLINE AS SHOWN.



FOR A PROPER SEAL OF FITTINGS:
 INSTALL SUPPLIED O-RINGS AS SHOWN AND LUBRICATE WITH SUPPLIED OIL.

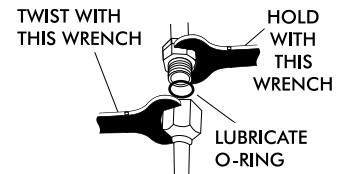
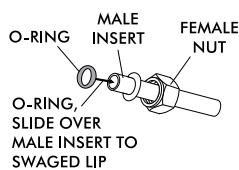
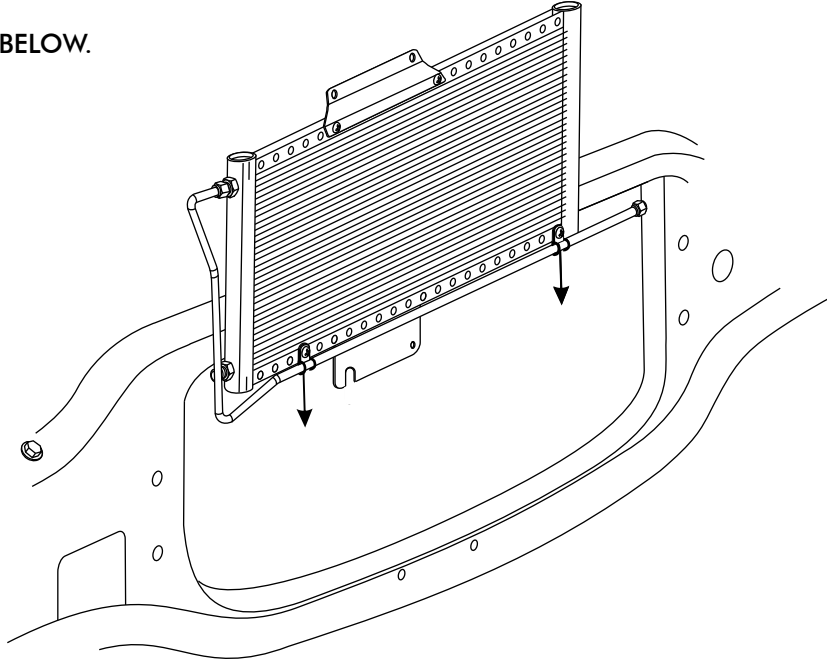


FIGURE 1

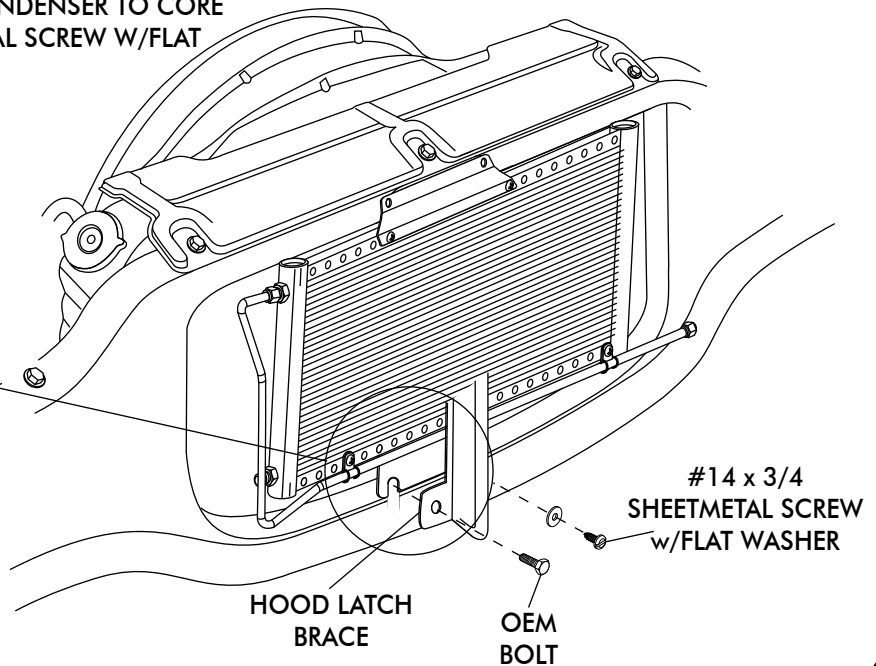
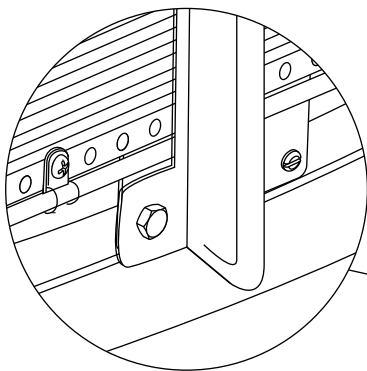


CONDENSER INSTALLATION

- INSTALL CONDENSER AS SHOWN BELOW.



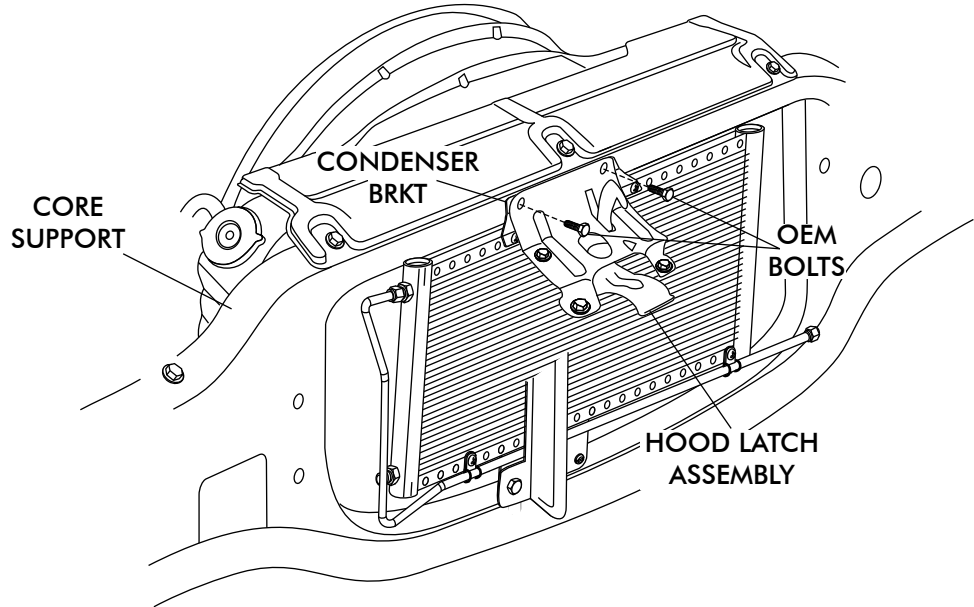
- SECURE THE BOTTOM PASSENGER SIDE OF THE CONDENSER TO THE CORE SUPPORT USING OEM BOLT.
- USE DRIVER SIDE MOUNTING HOLE AS GUIDE DRILL 3/16" HOLE ON CORE SUPPORT. SECURE CONDENSER TO CORE SUPPORT USING #14 X 3/4 SHEETMETAL SCREW W/FLAT WASHERS.





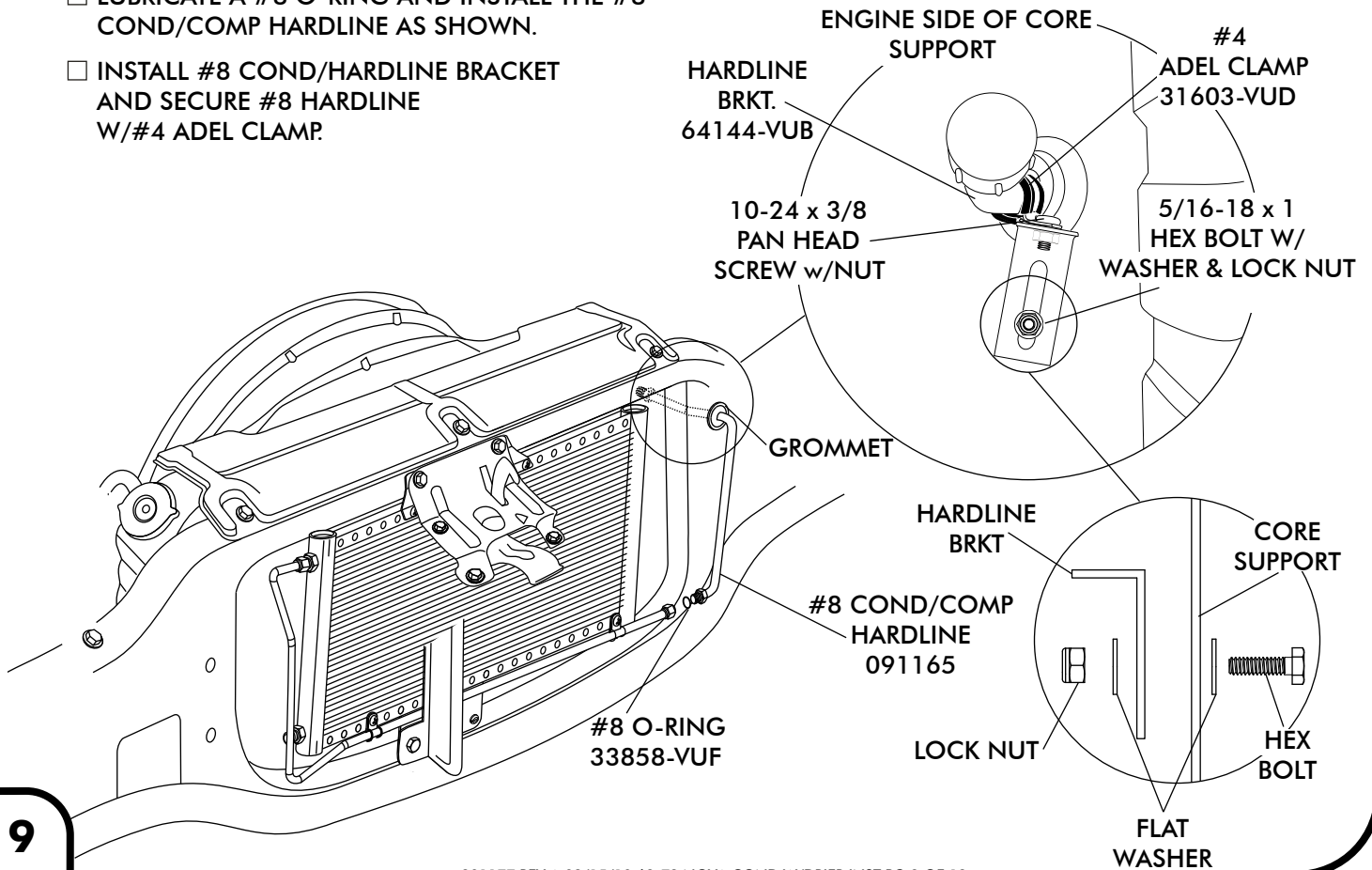
HOOD LATCH INSTALLATION

- RE-INSTALL HOOD LATCH ASSEMBLY USING OEM BOLTS, INSTALL OEM BOLTS THROUGH THE HOOD LATCH ASSEMBLY, CONDENSER, BRACKET, AND THROUGH THE CORE SUPPORT.



HARDLINE INSTALLATION

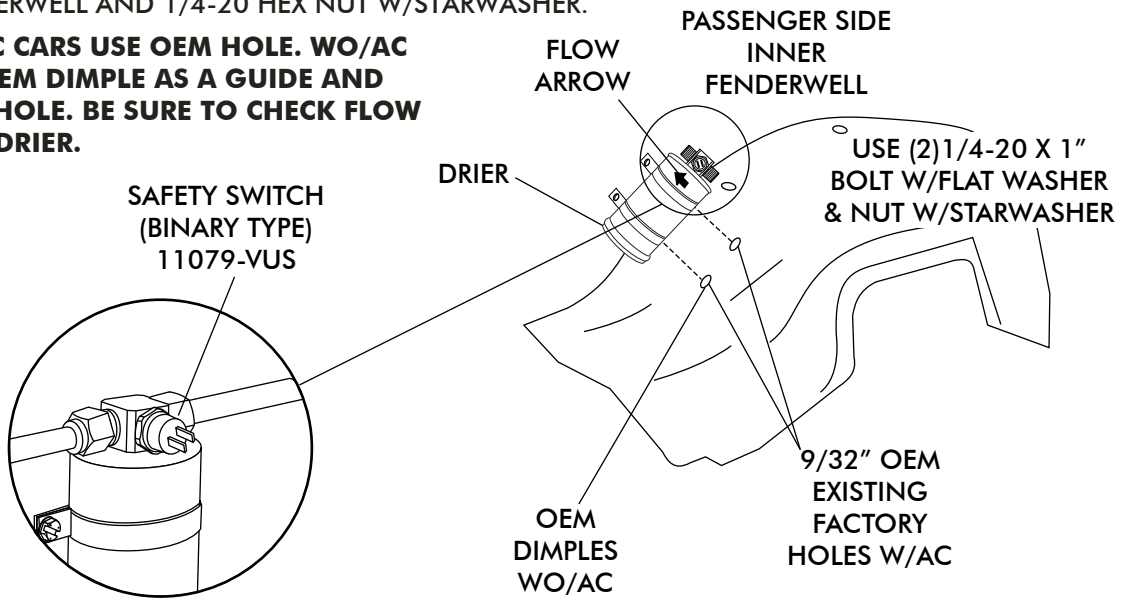
- LUBRICATE A #8 O-RING AND INSTALL THE #8 COND/COMP HARDLINE AS SHOWN.
- INSTALL #8 COND/HARDLINE BRACKET AND SECURE #8 HARDLINE W/#4 ADEL CLAMP.





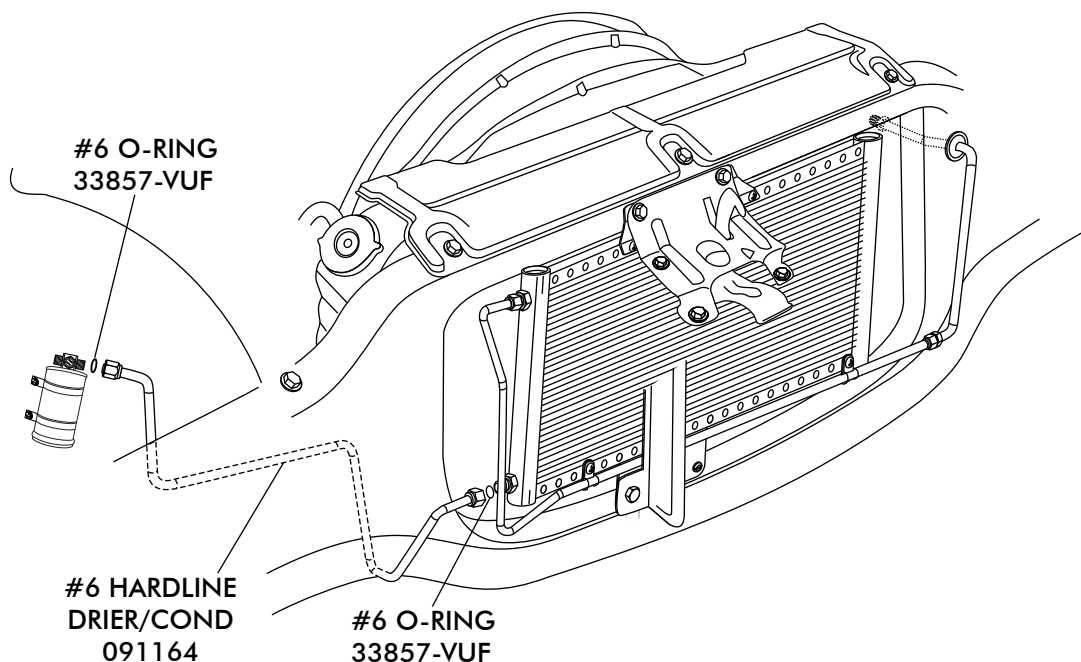
DRIER/SAFETY SWITCH INSTALLATION

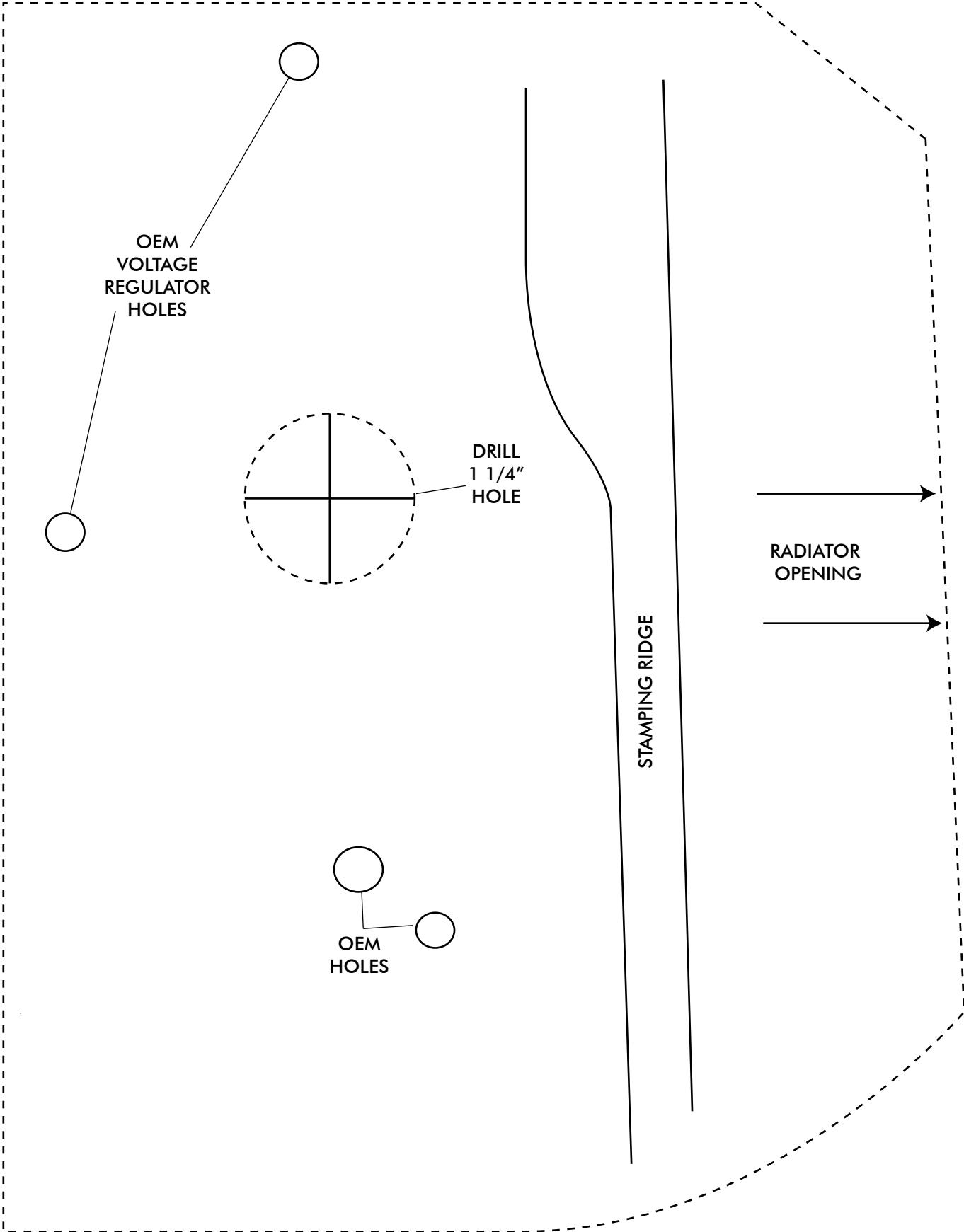
- MOUNT DRIER ON PASSENGER SIDE INNER FENDERWELL.
- INSTALL DRIER/DRIER CLAMP TO INNER FENDERWELL USING (2) 1/4-20 X 1" BOLT W/FLAT WASHERS ON BOTTOM SIDE OF INNER FENDERWELL AND 1/4-20 HEX NUT W/STARWASHER.
- NOTE: W/AC CARS USE OEM HOLE. WO/AC CARS USE OEM DIMPLE AS A GUIDE AND DRILL 9/32 HOLE. BE SURE TO CHECK FLOW ARROW OF DRIER.**



HARDLINE INSTALLATION CONT.

- LUBRICATE (2) #6 O-RING (SEE FIGURE 1) AND INSTALL THE #6 DRIER/COND HARDLINE AS SHOWN.



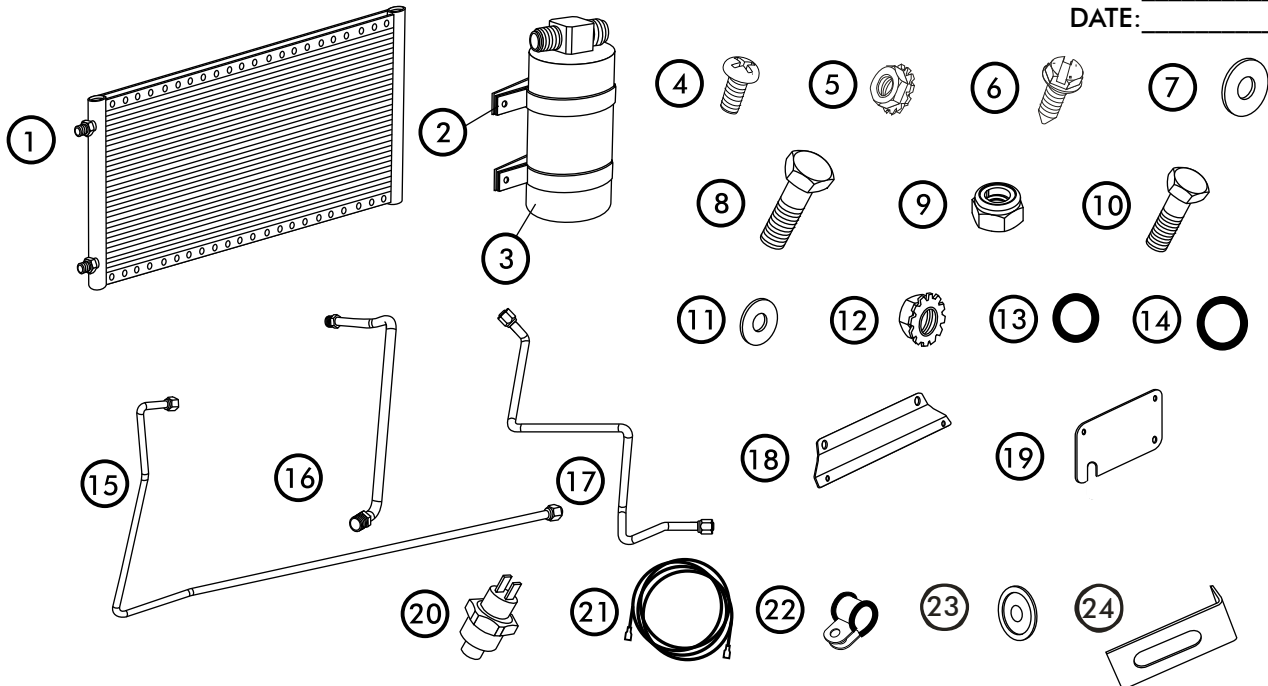




**CONDENSER KIT
021171**

No.	QTY.	PART No.	DESCRIPTION
1.	1	03767-VUC	14 X 24 PARALLEL FLOW COND.
2.	2	07113-VUB	DRIER CLAMP
3.	1	07321-VUC	DRIER
4.	7	18249-VUB	10-24 X 3/8 PAN HEAD SCREW
5.	7	18260-VUB	10-24 NUT W/STAR WASHER
6.	1	18266-VUB	#14 X 3/4 SHEETMETAL SCREW
7.	2	18611-VUB	5/16 FLAT WASHER
8.	1	18308-VUB	5/16 -18 X 1 HEX BOLT
9.	1	18151-VUB	5/16 NYLON LOCKNUT
10.	2	18290-VUB	1/4-20 X 1 HEX BOLT
11.	3	18125-VUB	1/4 FLAT WASHER
12.	2	18152-VUB	1/4-20 NUT W/STAR WASHER
13.	2	33857-VUF	#6 O-RING
14.	2	33858-VUF	#8 O-RING
15.	1	09169-FFD	HARDLINE 69-72 CAMARO/NOVA #8 COND/HARDLINE
16.	1	091165	HARDLINE 69-72 NOVA #8 HARDLINE/COMP
17.	1	091164	HARDLINE 69-72 NOVA #6 DRIER/COND HARDLINE
18.	1	643055	BRACKET 68-72 NOVA TOP CONDENSER
19.	1	643056	BRACKET 68-72 NOVA BOTTOM CONDENSER
20.	1	11079-VUS	MALE BINARY SWITCH
21.	1	23127-VUW	72" COMPRESSOR LEAD
22.	3	31603-VUD	#4 ADEL CLAMP
23.	1	33137-VUI	GROMMET LARGE
24.	1	64144-VUB	#8 COND. HARDLINE BRKT.

CHECKED BY: _____
 PACKED BY: _____
 DATE: _____



**NOTE: IMAGES MAY NOT DEPICT ACTUAL PARTS AND QUANTITIES.
 REFER TO PACKING LIST FOR ACTUAL PARTS AND QUANTITIES**