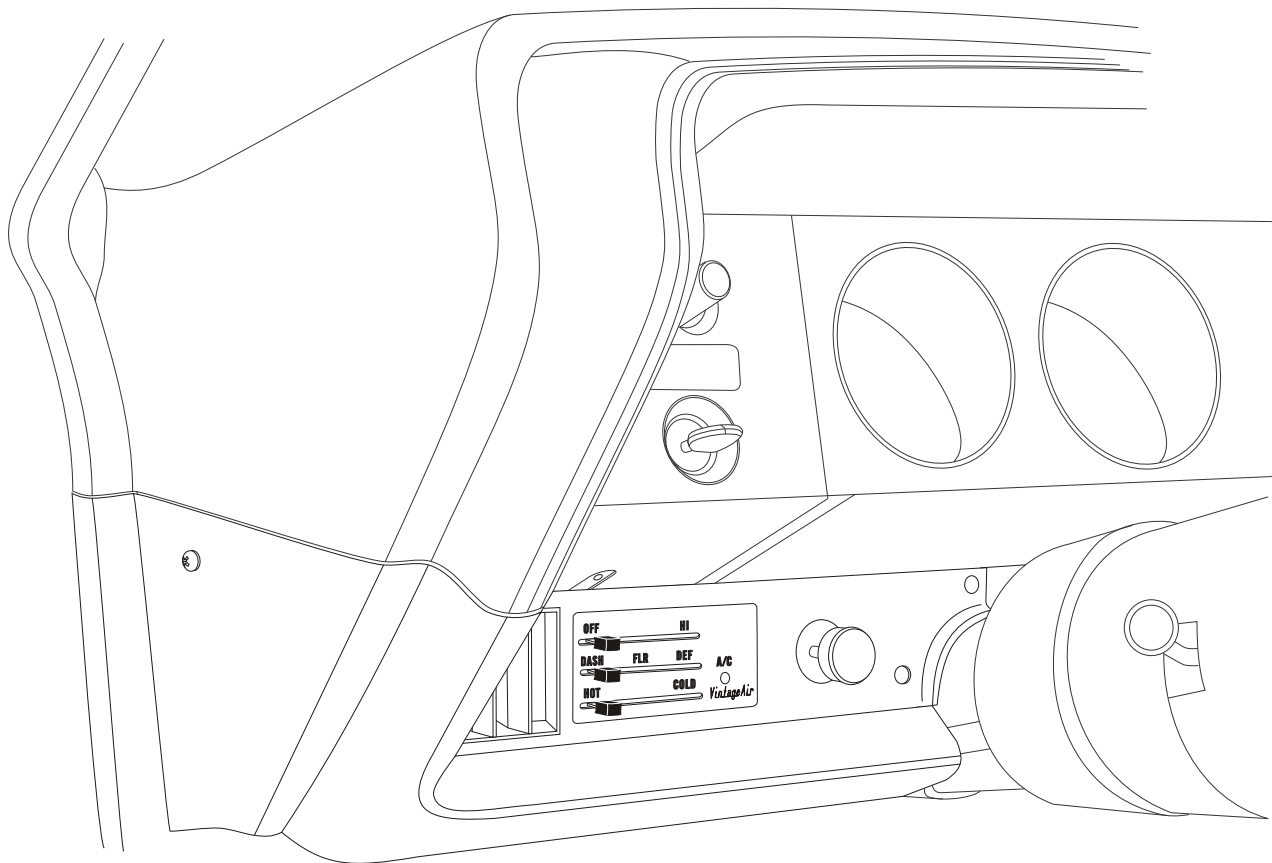




1970-74 CHALLENGER/CUDA

w/ AC RALLEY DASH CONTROL PANEL CONVERSION KIT

471076-EDA



18865 GOLL ST. - SAN ANTONIO, TX. - 78266 ph.210-654-7171 - fax 210-654-3113



Table of Contents

PAGES

1. COVER
2. TABLE OF CONTENTS
3. PACKING LIST/ PARTS DISCLAIMER
4. REMOVING OEM CONTROL PANEL
5. CONTROL PANEL INSTALLATION
6. KNOB & CONTROL HARNESS INSTALLATION
7. CONTROL PANEL KIT PACKING LIST



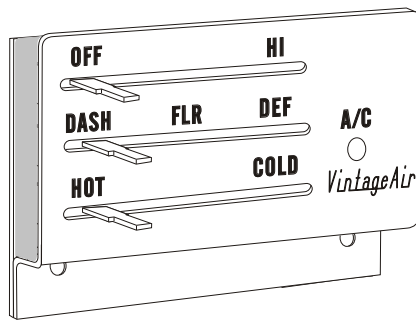
1970-74 CHALNGR/CUDA w/ AC RALLEY DASH CNTRL PNL

CONTROL KIT PACKING LIST

**CONTROL KIT
471076-EDA**

| No. | QTY. | PART No. | DESCRIPTION |
|-----|------|------------|---|
| 1. | 1 | 471073-EDA | 70-74 CHALNGR/CUDA w/ AC w/ RALLEY DASH CNTRL PNL ASM |
| 2. | 2 | 18235-VUB | #8 x 1/2" PH PANHEAD SCREWS |
| 3. | 2 | 186008-WSR | #8 WASHER |
| 4. | 3 | 49455-VUI | KNOB CONTROL (STD LEVER) |
| 5. | 1 | 232007-VUR | GEN IV UNIVERSAL CONTROL HARNESS (TYPE C) |

**** BEFORE BEGINNING INSTALLATION OPEN ALL PACKAGES AND CHECK CONTENTS OF SHIPMENT. PLEASE REPORT ANY SHORTAGES DIRECTLY TO VINTAGE AIR WITHIN 15 DAYS. AFTER 15 DAYS, VINTAGE AIR WILL NOT BE RESPONSIBLE FOR MISSING OR DAMAGED ITEMS.**





CONTROL PANEL CONVERSION INSTRUCTIONS FOR 1970-74 CHALLENGER/CUDA w/ AC w/ RALLYE DASH CONTROL PANEL

REMOVING OEM CONTROL PANEL

- DISCONNECT WIRES, VACUUM HOSES AND CONTROL LEVER CABLE FROM THE BACK OF THE OEM CONTROL PANEL.
- REMOVE OEM CONTROL PANEL. (DISCARD) SEE FIGURE 1 BELOW

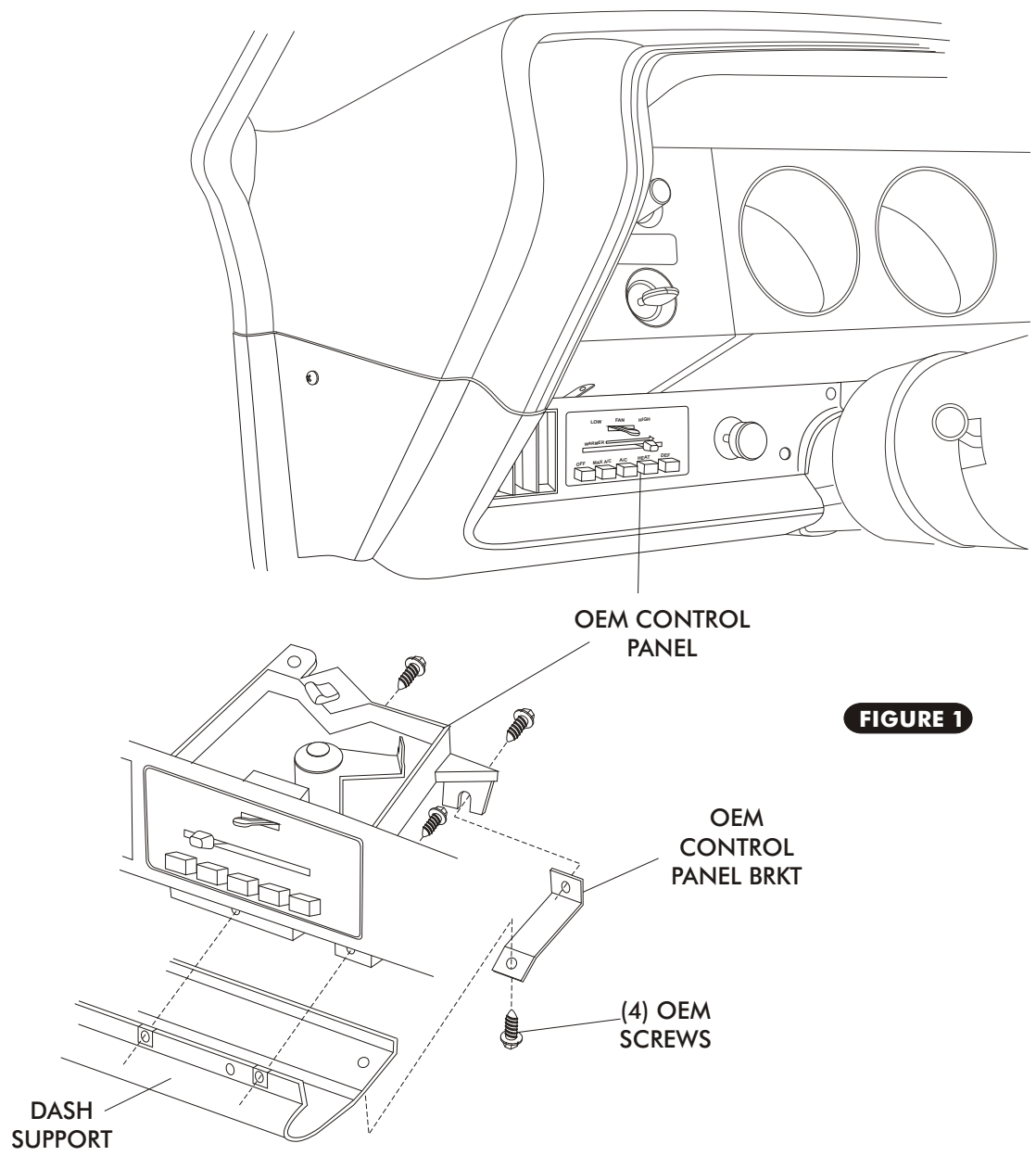


FIGURE 1



CONTROL PANEL INSTALLATION

- INSTALL CONTROL PANEL ASM FROM UNDER THE DASH IN THE OPENING OF THE OEM CONTROL PANEL BEZEL AS SHOWN IN FIGURE 2 BELOW.
- SECURE THE CONTROL PANEL ASM TO DASH USING (2) #8 x 1/2" PH PANHEAD SCREWS AS SHOWN IN FIGURE 2 BELOW.

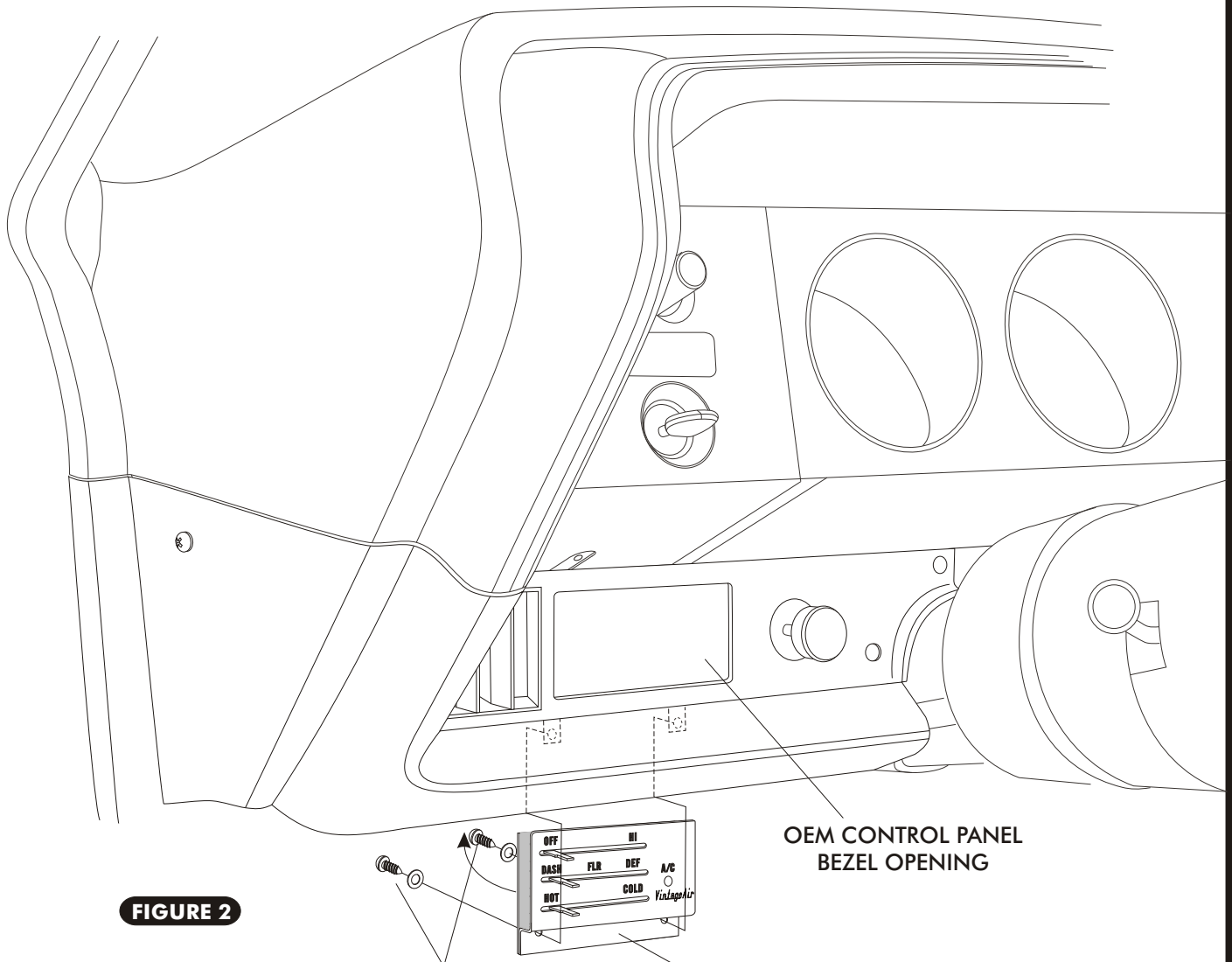


FIGURE 2

(2) 18235-VUB
#8 x1/2
PH PANHEAD
SCREW w/ (2)
186008-WSR
#8 WASHER

471073-EDA
CONTROL PANEL
ASM

OEM CONTROL PANEL
BEZEL OPENING



KNOB INSTALLATION

- INSTALL (3) KNOBS AS SHOWN IN FIGURE 3 BELOW.

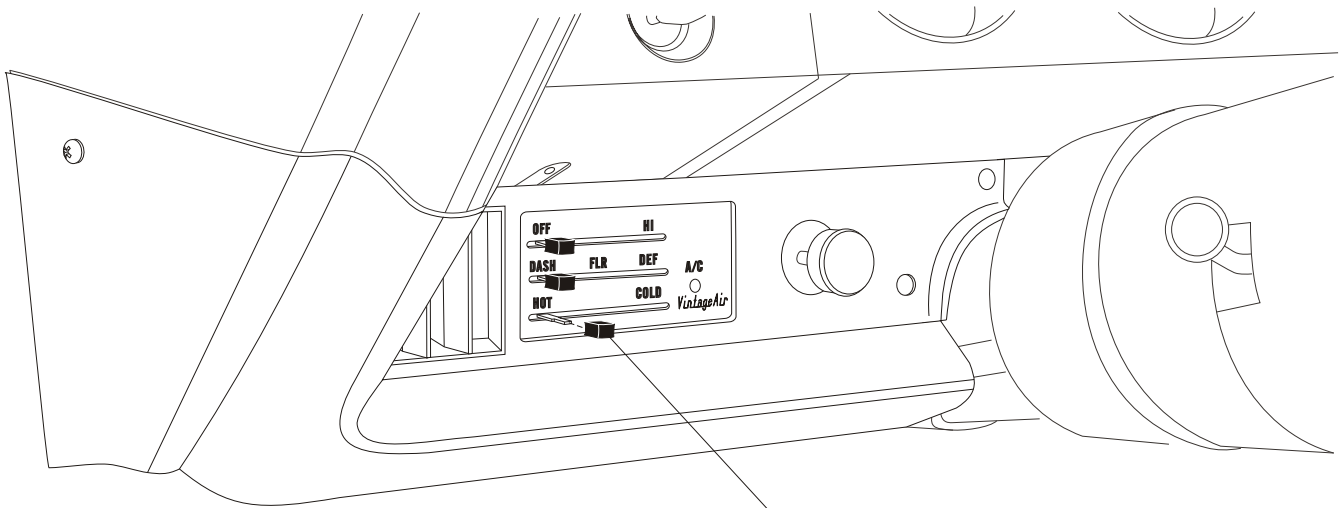


FIGURE 3

(3) 49455-VUI
KNOB CONTROL
(STD LEVER)

CONTROL HARNESS

- FROM UNDER THE DASH PLUG-IN THE CONTROL PANEL WIRING HARNESS AS SHOWN IN FIGURE 4 BELOW.

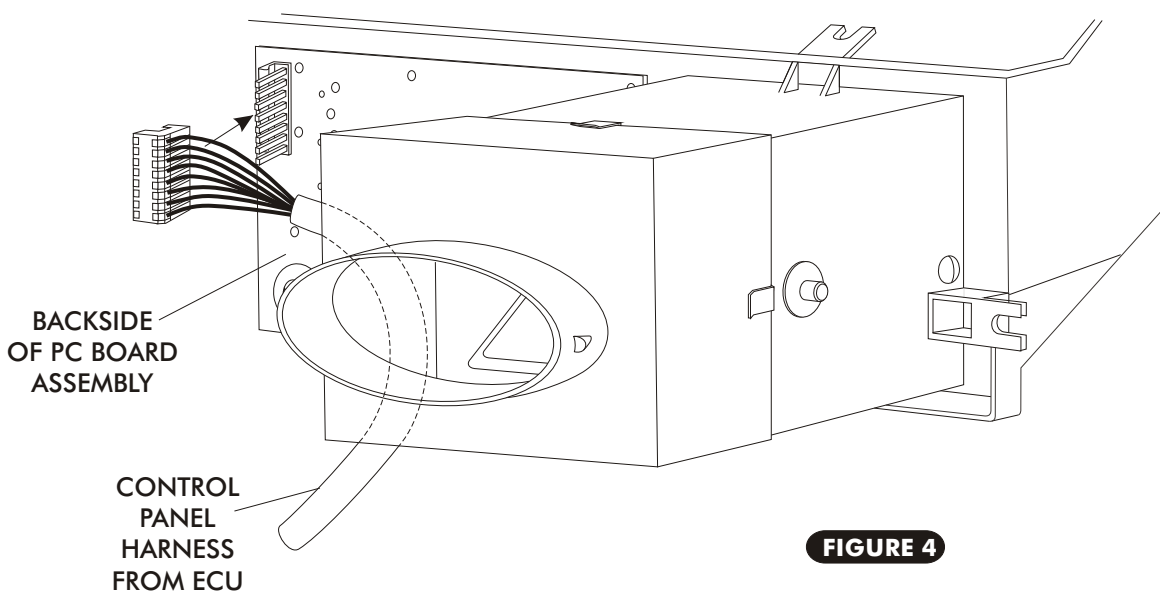


FIGURE 4



1970-74 CHALNGR/CUDA w/ AC RALLEY DASH CNTRL PNL

CONTROL KIT 471076-EDA

CONTROL KIT PACKING LIST

| No. | QTY. | PART No. | DESCRIPTION | |
|-----|------|------------|---|-------|
| 1. | 1 | 471073-EDA | 70-74 CHALNGR/CUDA w/ AC w/ RALLEY DASH CNTRL PNL ASM | _____ |
| 2. | 2 | 18235-VUB | #8 x 1/2" PH PANHEAD SCREWS | _____ |
| 3. | 2 | 186008-WSR | #8 WASHER | _____ |
| 4. | 3 | 49455-VUI | KNOB CONTROL (STD LEVER) | _____ |
| 5. | 1 | 232007-VUR | GEN IV UNIVERSAL CONTROL HARNESS (TYPE C) | _____ |

CHECKED BY: _____
 PACKED BY: _____
 DATE: _____

