



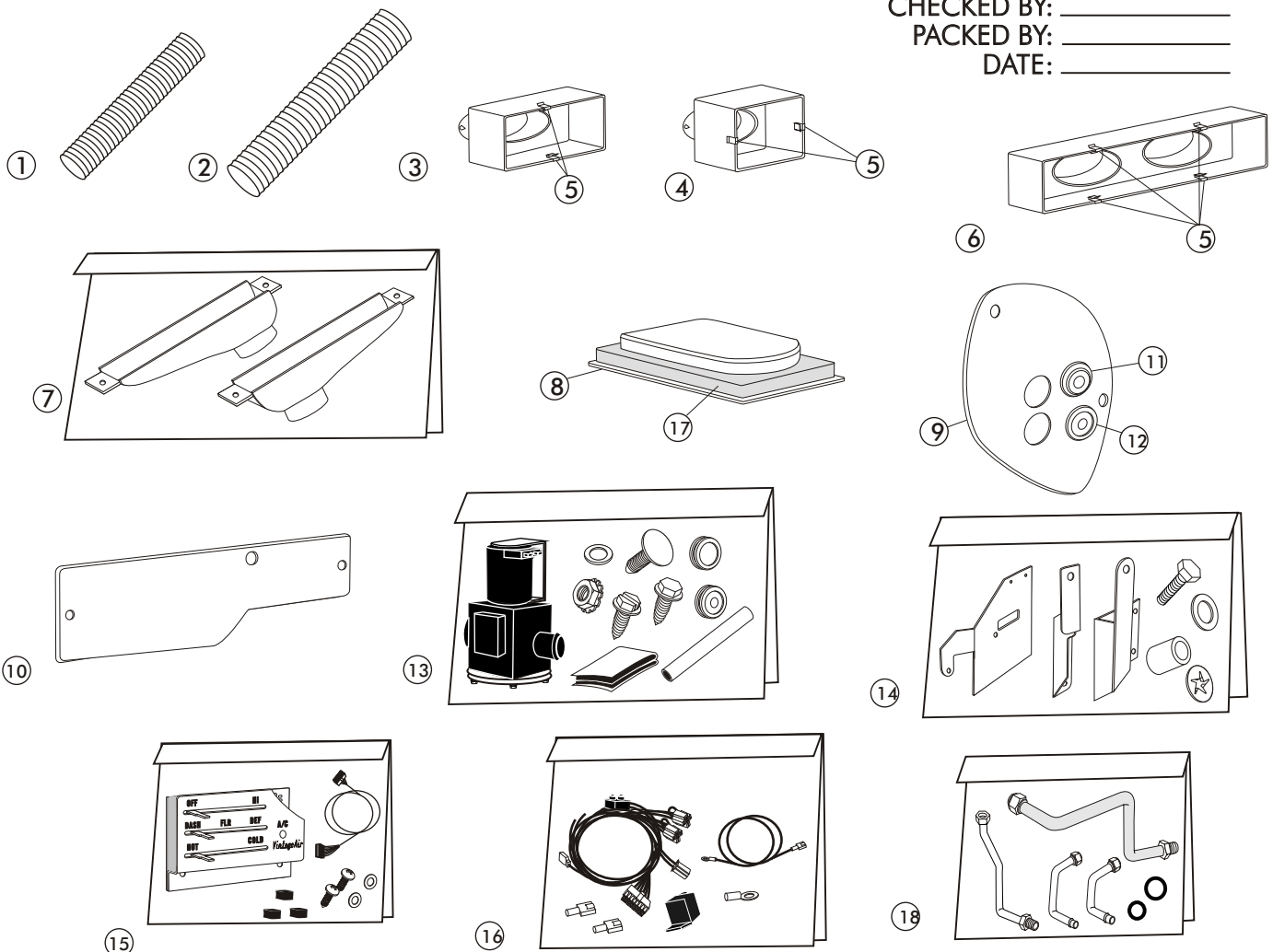
1970-74 CHALLENGER/CUDA w/ AC

ACCESSORY KIT 784074-PMF

ACCESSORY KIT PACKING LIST

No.	QTY.	PART No.	DESCRIPTION
1.	3	06200-VUE	2" DUCT HOSE
2.	11	06250-VUE	2 1/2" DUCT HOSE
3.	1	492077-PME	1970-74 CHALNGR/CUDA PS LOUVER HOSE ADAPTER
4.	1	492078-PME	1970-74 CHALNGR/CUDA DS LOUVER HOSE ADAPTER
5.	8	65980-VUE	"S" CLIP
6.	1	492074-PME	1970-74 CHALNGR/CUDA CENTER LOUVER HOSE ADAPTER
7.	1	634074-PMA	1970-74 CHALNGR/CUDA DEF KIT
8.	1	620073-PME	1970-74 CHALNGR/CUDA FRESH AIR CAP
9.	1	627073-PME	1970-74 CHALNGR/CUDA FIREWALL COVER
10.	1	620074-PME	1970-74 CHALNGR/CUDA w/ AC AC BLOCK OFF PLATE
11.	1	33137-VUI	LARGE GROMMET
12.	1	33135-VUI	1 1/4" x 1" w/ 3/8" HOLE GROMMET
13.	1	634174-PMA	1970-74 CHALNGR/CUDA w/ AC IK KIT
14.	1	645072-PDA	1970-74 CHALNGR/CUDA EVAP BRKT KIT
15.	1	471077-EDA	1970-74 CHALNGR/CUDA CNTRL PNL KIT
16.	1	232600-VUA	GEN IV UNIVERSAL WIRING KIT
17.	26	21402-VUP	3/8 x 1" FOAM STRIP
18.	1	09155-PCA	GEN IV HARDLINE KIT

CHECKED BY: _____
 PACKED BY: _____
 DATE: _____



**NOTE: IMAGES MAY NOT DEPICT ACTUAL PARTS AND QUANTITIES.
 REFER TO PACKING LIST FOR ACTUAL PARTS AND QUANTITIES**