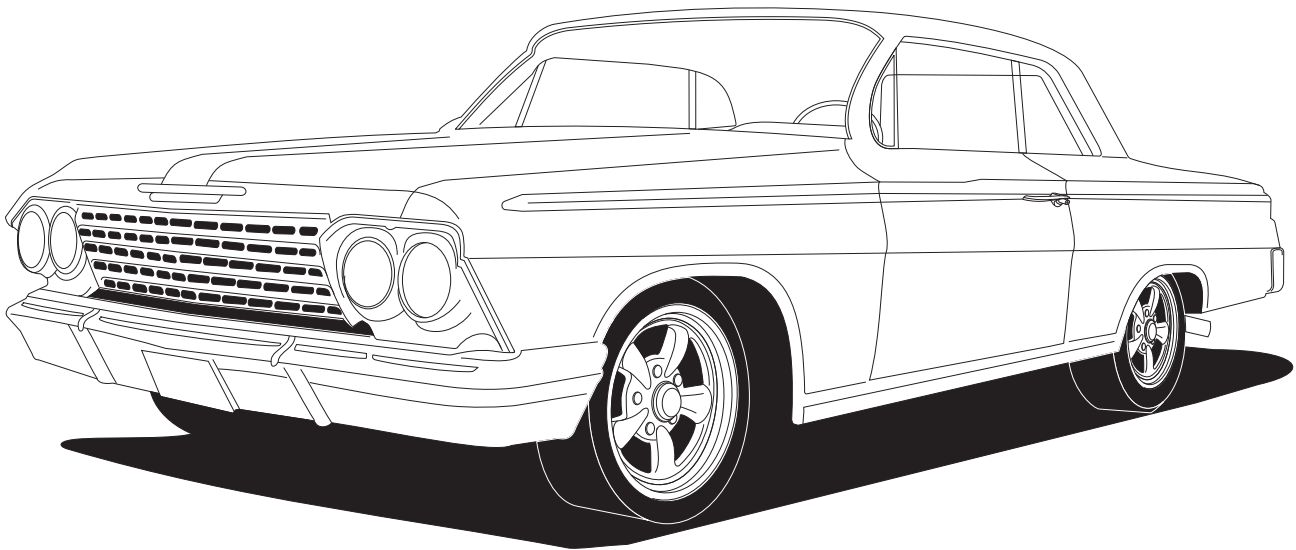




1961-62 IMPALA

**CONDENSER KIT
027062**



18865 GOLL ST. - SAN ANTONIO, TX. - 78266 ph.210-654-7171 - fax 210-654-3113



Table of Contents

PAGES

1. COVER
2. TABLE OF CONTENTS
3. PACKING LIST/PARTS DISCLAIMER
4. INFORMATION PAGE
5. CONDENSER BRACKET INSTALLATION
6. MOUNTING BRACKETS INSTALLATIONS & RADIATOR REMOVAL
FIGURES 1 & 2
7. CONDENSER ASSEMBLY INSTALLATION
FIGURES 3 & 4
8. PACKING LIST

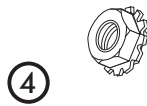
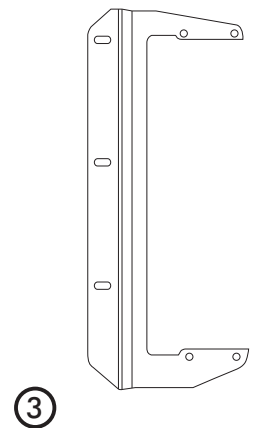
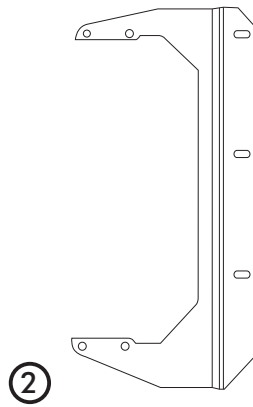
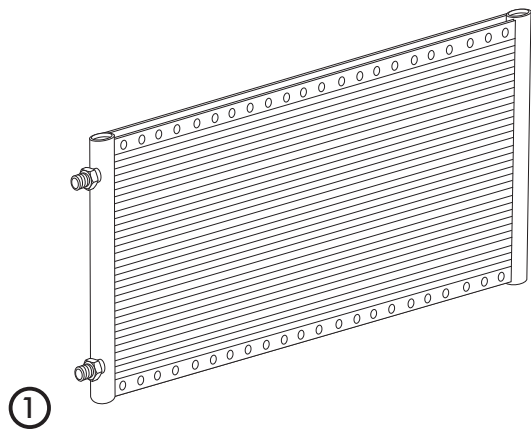


1961-62 IMPALA CONDENSER PACKING LIST

CONDENSER KIT
027062

No.	QTY.	PART No.	DESCRIPTION
1.	1	03766-VUC	14 x 22 PARALLEL FLOW COND
2.	1	644062	1961-62 IMPALA PS COND BRKT
3.	1	644063	1961-62 IMPALA DS COND BRKT
4.	8	18260-VUB	10/24 NUT w/ STAR WASHER
5.	8	18249-VUB	10-24 x 3/8" PH PAN HEAD SCREW

**** BEFORE BEGINNING INSTALLATION OPEN ALL PACKAGES AND CHECK CONTENTS OF SHIPMENT. PLEASE REPORT ANY SHORTAGES DIRECTLY TO VINTAGE AIR WITHIN 15 DAYS. AFTER 15 DAYS, VINTAGE AIR WILL NOT BE RESPONSIBLE FOR MISSING OR DAMAGED ITEMS.**



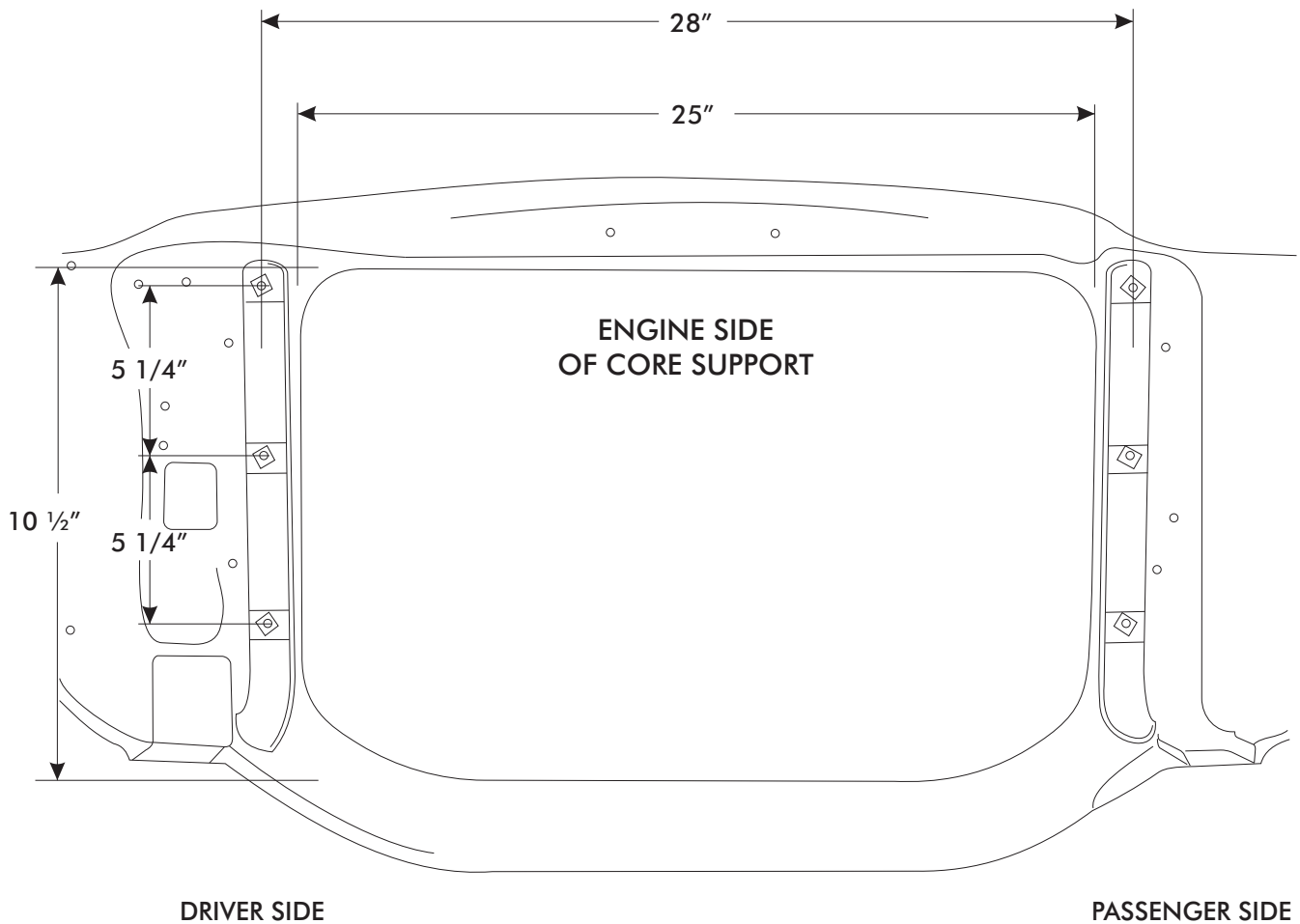
NOTE: IMAGES MAY NOT DEPICT ACTUAL PARTS AND QUANTITIES. REFER TO PACKING LIST FOR ACTUAL PARTS AND QUANTITIES.



1962 CHEVY IMPALA GEN IV

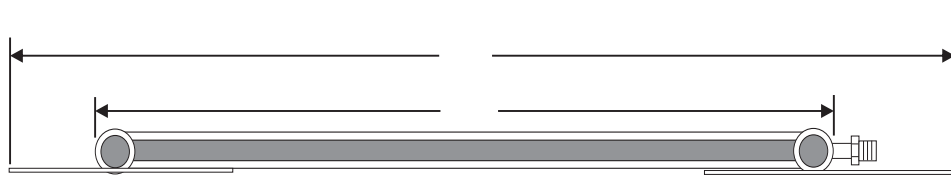
IMPORTANT NOTICE-PLEASE READ

THIS KIT WAS DEVELOPED BASED ON THE MEASUREMENTS BELOW, WHICH WERE TAKEN FROM A 1962 IMPALA w/ FACTORY AIR CORE SUPPORT.



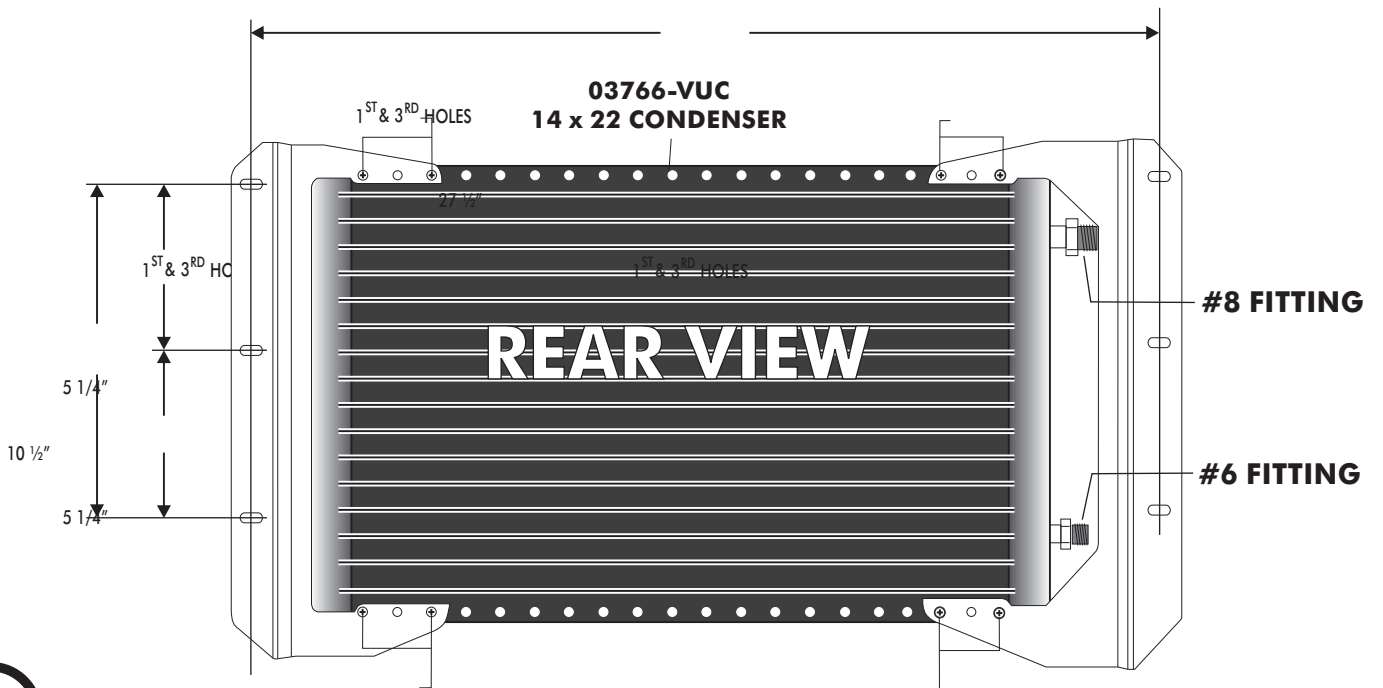
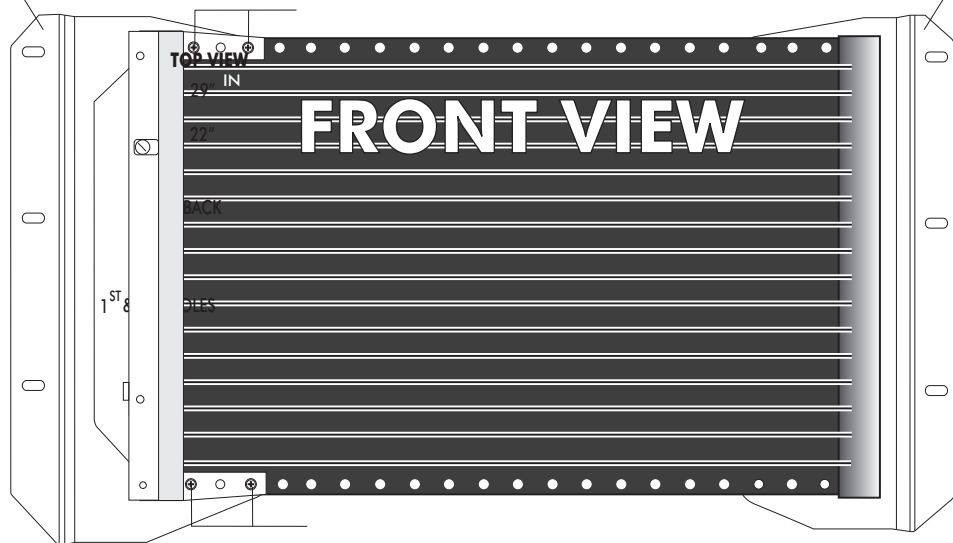


CONDENSER BRACKET INSTALLATION



644062
PS COND
BRKT

644063
DS COND
BRKT





MOUNTING BRACKET INSTALLATION

ON A WORK BENCH ASSEMBLE CONDENSER AS FOLLOWS:

- INSTALL CONDENSER MOUNTING BRACKET ONTO CONDENSER USING (8) 10/24 x 3/8 PAN HEAD SCREWS AND (8) 10/24 NUTS WITH STAR WASHERS. SEE FIGURE 2 BELOW.

NOTE: BRACKETS MOUNT THROUGH THE FIRST AND THIRD HOLE OF THE CONDENSER.

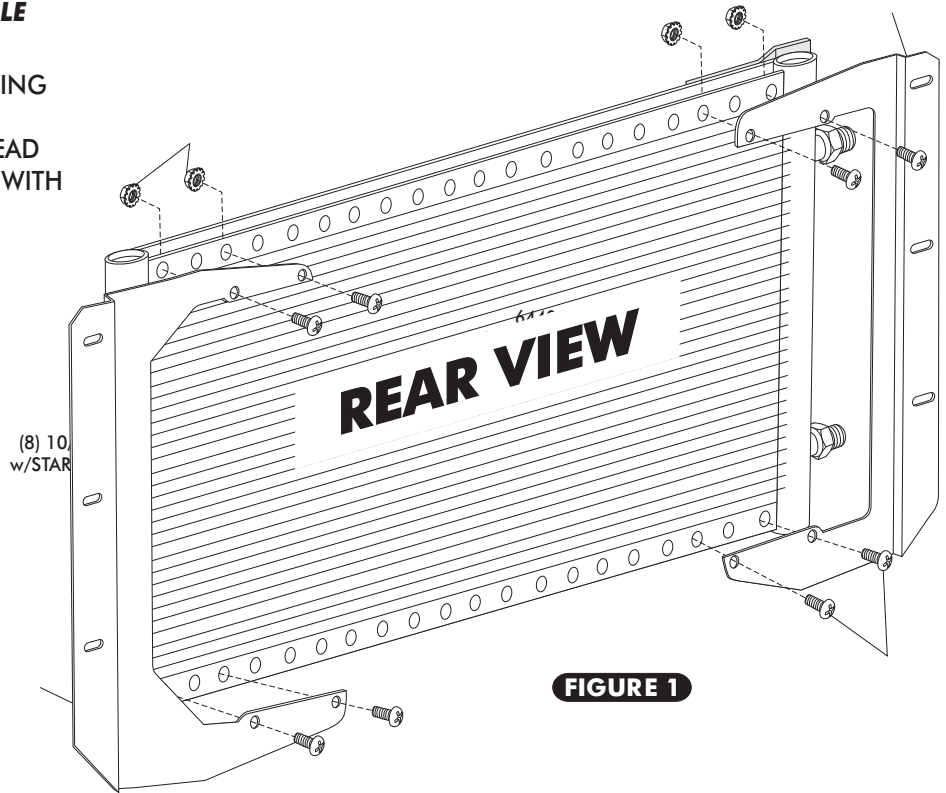


FIGURE 1

RADIATOR REMOVAL

- DRAIN RADIATOR. REMOVE UPPER AND LOWER RADIATOR HOSES. REMOVE RADIATOR.

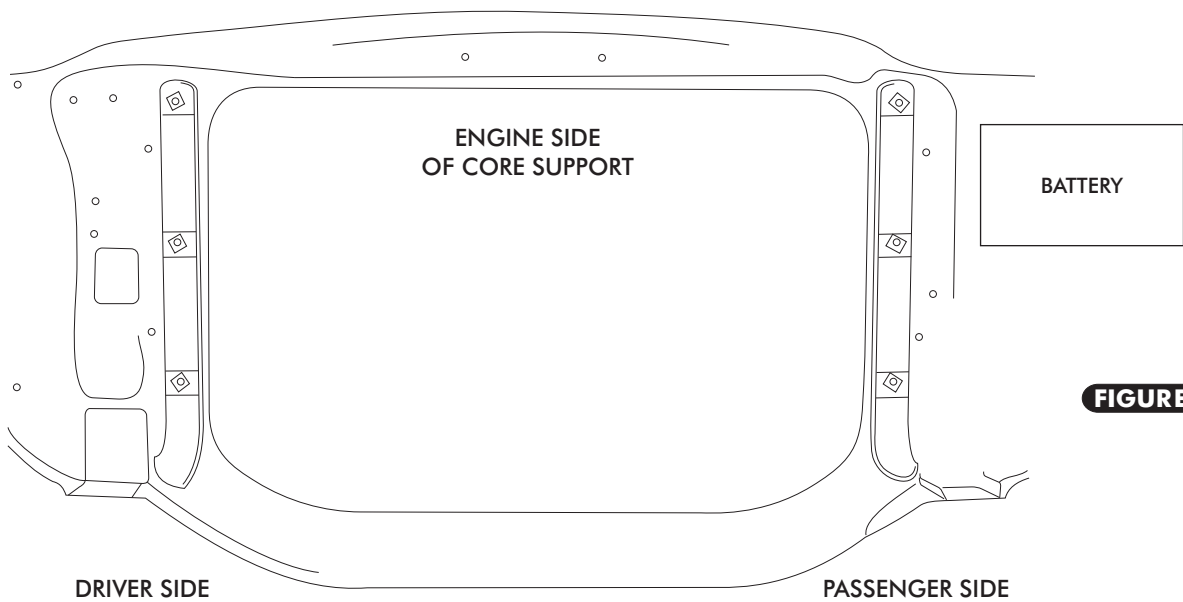


FIGURE 2

CONDENSER ASSEMBLY INSTALLATION

- INSTALL CONDENSER ON THE BACKSIDE OF THE CORE SUPPORT AS SHOWN IN FIGURE 3 BELOW

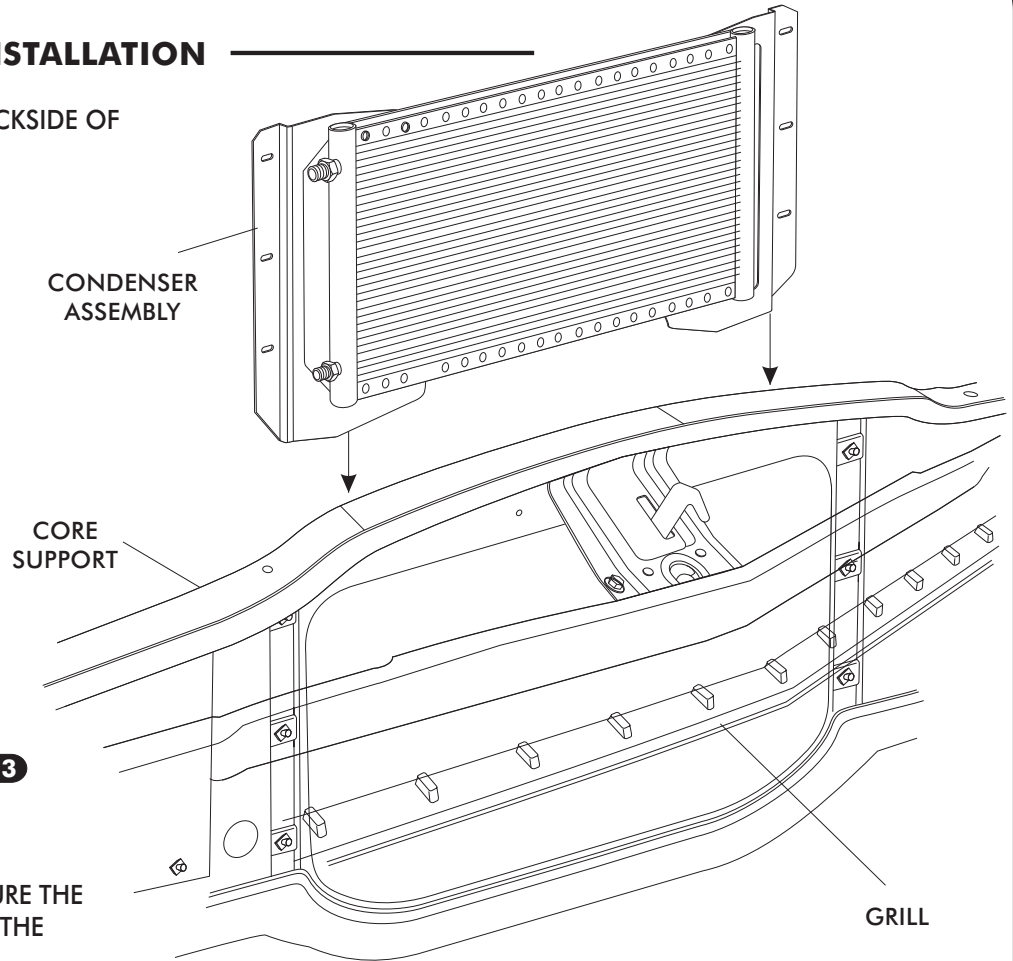


FIGURE 3

- USING THE OEM HARDWARE SECURE THE CONDENSER ASSEMBLY BETWEEN THE RADIATOR AND THE CORE SUPPORT SEE FIGURE 4 BELOW.

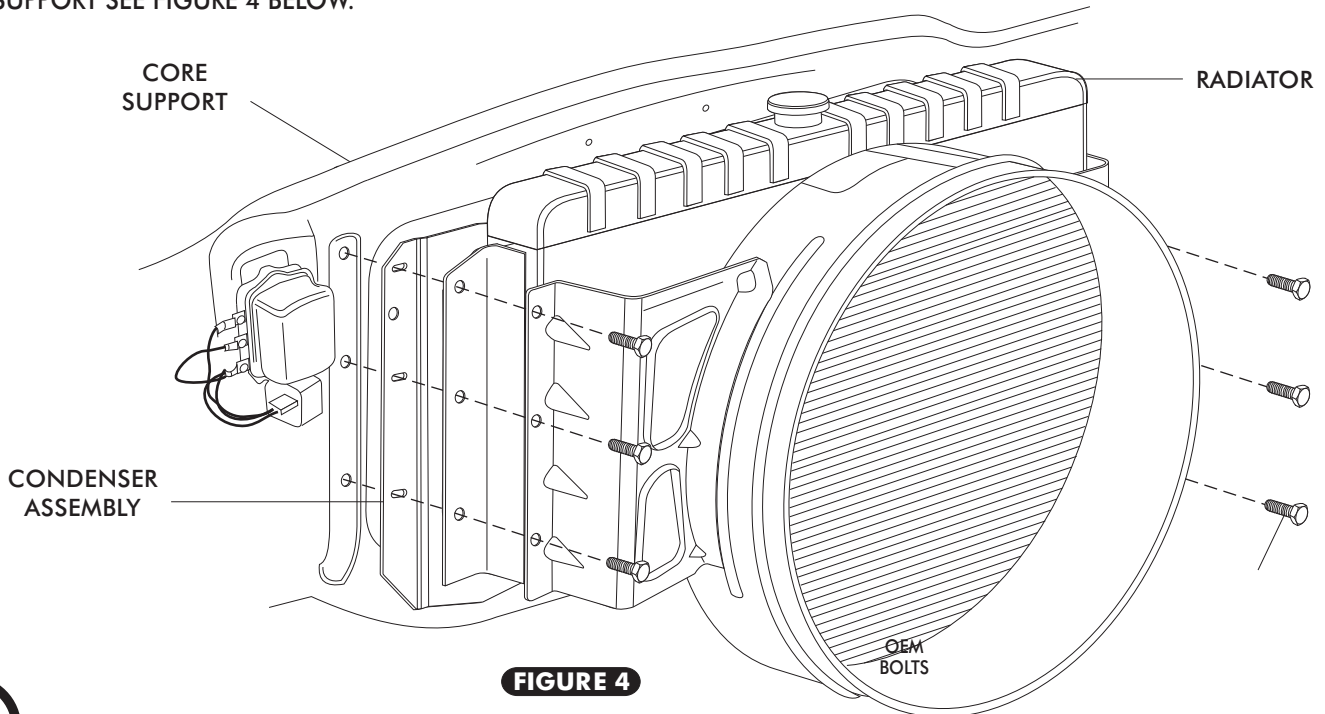


FIGURE 4



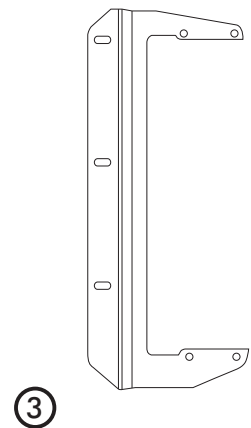
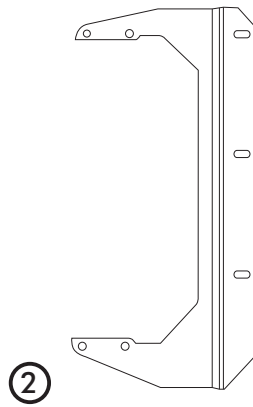
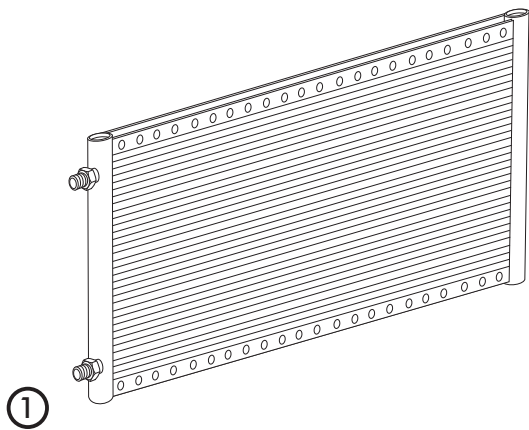
1961-62 IMPALA CONDENSER KIT

1961-62 IMPALA CONDENSER PACKING LIST

**CONDENSER KIT
027062**

No.	QTY.	PART No.	DESCRIPTION	
1.	1	03766-VUC	14 x 22 PARALLEL FLOW COND	_____
2.	1	644062	1961-62 IMPALA PS COND BRKT	_____
3.	1	644063	1961-62 IMPALA DS COND BRKT	_____
4.	8	18260-VUB	10/24 NUT w/ STAR WASHER	_____
5.	8	18249-VUB	10-24 x 3/8" PH PAN HEAD SCREW	_____

CHECKED BY: _____
 PACKED BY: _____
 DATE: _____



**NOTE: IMAGES MAY NOT DEPICT ACTUAL PARTS AND QUANTITIES.
 REFER TO PACKING LIST FOR ACTUAL PARTS AND QUANTITIES.**