



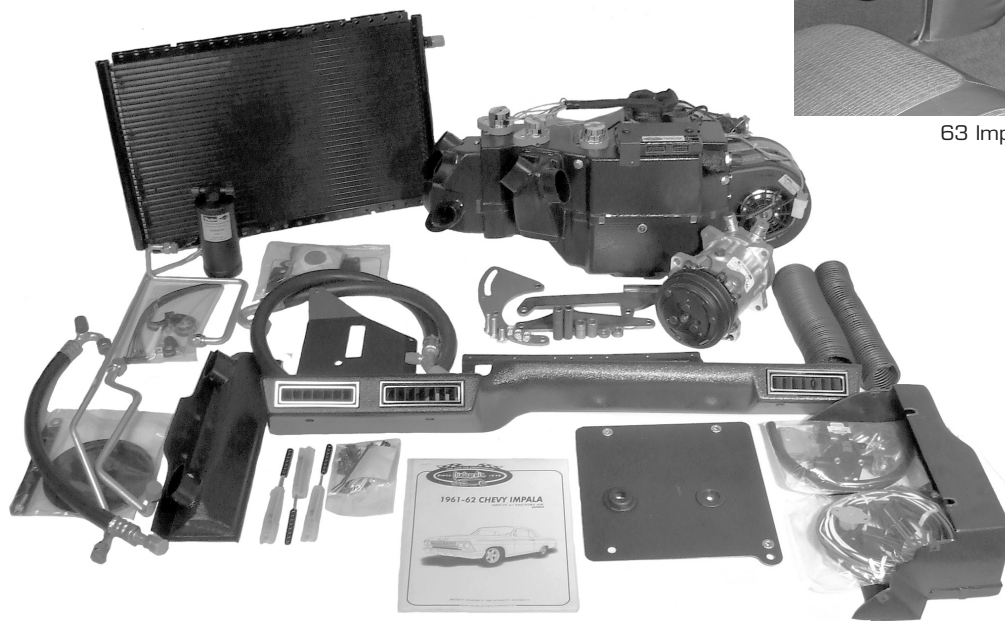
## SURE FIT™ SERIES - 1961-1964 Chevy Impala

### GEN IV

Designed specifically for 1961-64 Chevy Impalas. Separate heating and cooling coils and a high volume blower give you OEM quality comfort, allow infinite dash and floor blending, and still retains the factory look inside your vehicle. Sure Fit systems mount to existing holes in dash and firewall and require no fabrication in most cases.



63 Impala dash with Sure Fit kit



Complete kit includes: Evaporator, condenser, drier, compressor, compressor bracket, hose kit and hi/lo safety switch.

#### The Gen-IV All-In-One Kit For Your Classic Impala!

**EVAPORATOR KIT:** Air conditioning, heating and defrost combination designed specifically for your vehicle. Original a/c control assembly in your console connects to and controls this unit. Designed to mount to existing holes in your dash and firewall without drilling\* or fabrication. Evaporator kit comes complete with all mounting brackets, hardware, louvers, duct hose, wiring harness and installation instructions.

**COMPLETE KIT:** All above plus condenser and drier package. Attaches to existing radiator mounting holes. No drilling\* or fabrication required. Comes complete with condenser, mounting brackets, standard drier, safety switch, pre-formed aluminum lines and mounting hardware.

**NOTE:** Some installations may require additional engine pulleys not included with kits. See page 64 for options. You must provide v-belts and refrigerant.

We recommend using a heavy duty fan blade and shroud see pages 74-75.

**561062** 1961-62 Impala Evaporator kit (non-factory air car)

**564062** 1961-62 Impala Evaporator kit (factory air car)

**561063** 1963 Impala Evaporator kit (non-factory air car)

**564063** 1963 Impala Evaporator kit (factory air car)

**561064** 1964 Impala Evaporator kit (non-factory air car)

**564064** 1964 Impala Evaporator kit (factory air car)

**961062** 1961-62 Impala Complete kit (non-factory air car)

**964062** 1961-62 Impala Complete kit (factory air car)

**961063** 1963 Impala Complete kit (non-factory air car)

**964063** 1963 Impala Complete kit (factory air car)

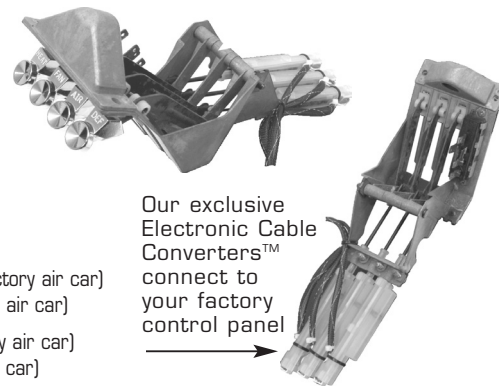
**961064** 1964 Impala Complete kit (non-factory air car)

**964064** 1964 Impala Complete kit (factory air car)

#### '61-'64 Chevy Impala Gen-IV Sure Fit™ System Features:

- Electronic servo motor controls -
- No cables or capillary tube to route!
- Separate high capacity heat and cooling coils.
- Mounts behind dash.
- A/C exits through original dash vents in factory a/c cars.
- Dehumidified defrost with infinite dash/floor blend.
- Infinite blower speed.

*Hot Rod & Resto 2007  
Award Winning Technology!*



Our exclusive Electronic Cable Converters™ connect to your factory control panel!

#### MANAGEMENT TEAM

Mike Martinez (right) is now our Production Manager. He has served well in many positions of responsibility over his years with Vintage Air. Cross-training for all areas is a part of assuring that each of our managers understands the challenges of total quality manufacturing. Mike splits his driving between his C-5 Corvette and an Arlen Ness Harley with a big S&S motor!

