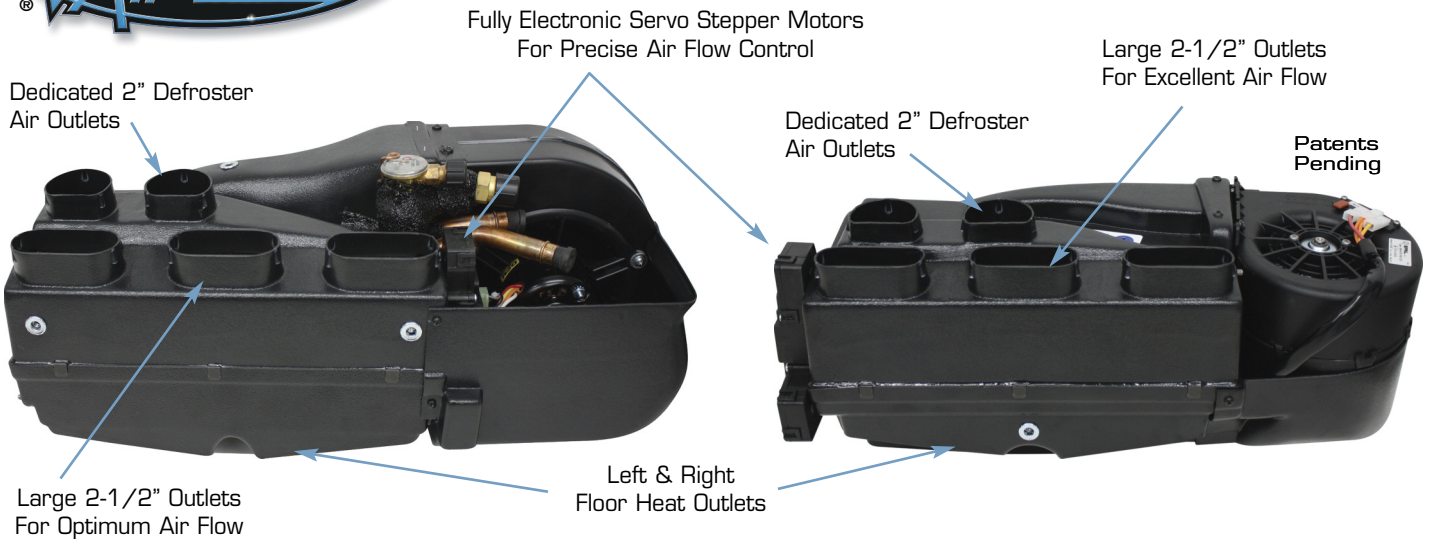




GEN II COMPAC & MINI™

Universal Fit Systems



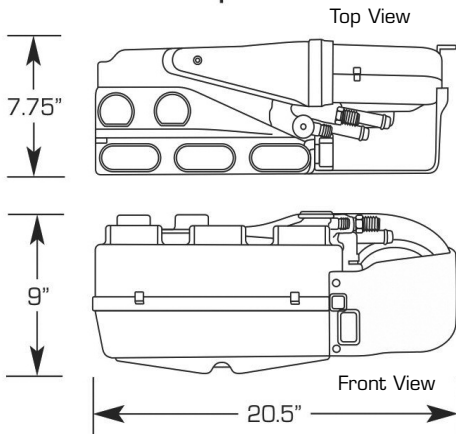
68000-VUX-A Gen II Compac - Heat & Cool
68000-VUZ-A Gen II Compac - Heat, Cool & Defrost

Our proven Gen II servo motor control technology makes this mid-sized package work better than many other's full-size systems! Three outlet vents allow you to position your louvers wherever you need them. The Gen II Compac is an ideal system for coupes, classic trucks and smaller sedans.

66005-VUX-A Gen II Mini - Heat & Cool
66005-VUZ-A Gen II Mini - Heat, Cool & Defrost

Gen II technology is even incorporated into our smallest full feature heat & cool system. Exclusive CAD designed case delivers surprising capacity in an easy to fit package. The Gen II Mini is an ideal system for early model trucks and smaller hot rods.

GEN II Compac



Optional Components

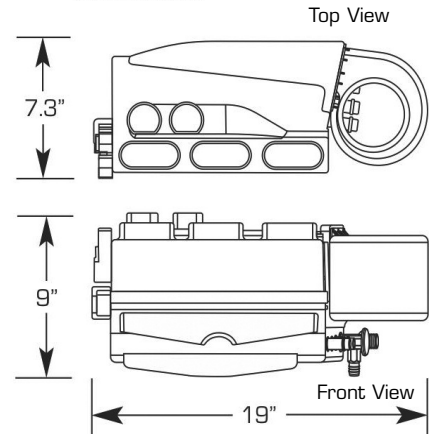
60500-VUA - for Gen II Compac & Mini 180° Duct adapter for Compac and Mini center vent. Turns air flow down for under dash louver use.

623000-VUA - for Gen II Compac & Mini Smooth diverter duct for Compac and Mini directs heater air to left side of car when evaporator is mounted to extreme right side. Accepts 2" hose.

623010-VUA - for Gen II Compac & Mini Duct extension.



GEN II Mini



Ask your Authorized Distributor to loan you a Gen II Mock-Up Unit. Light weight empty-case units will aid you in fitting a Gen II system in your car. See page 45.

TOTALLY COOLED GALLERY

The Pete & Jake's built California Kid is one of the most recognizable street rods ever. It was the featured star of a TV movie by the same name which starred Martin Sheen. It had the classic hot rod look with chassis updates of the present; Including a complete Vintage Air system, that is still working like new!

