

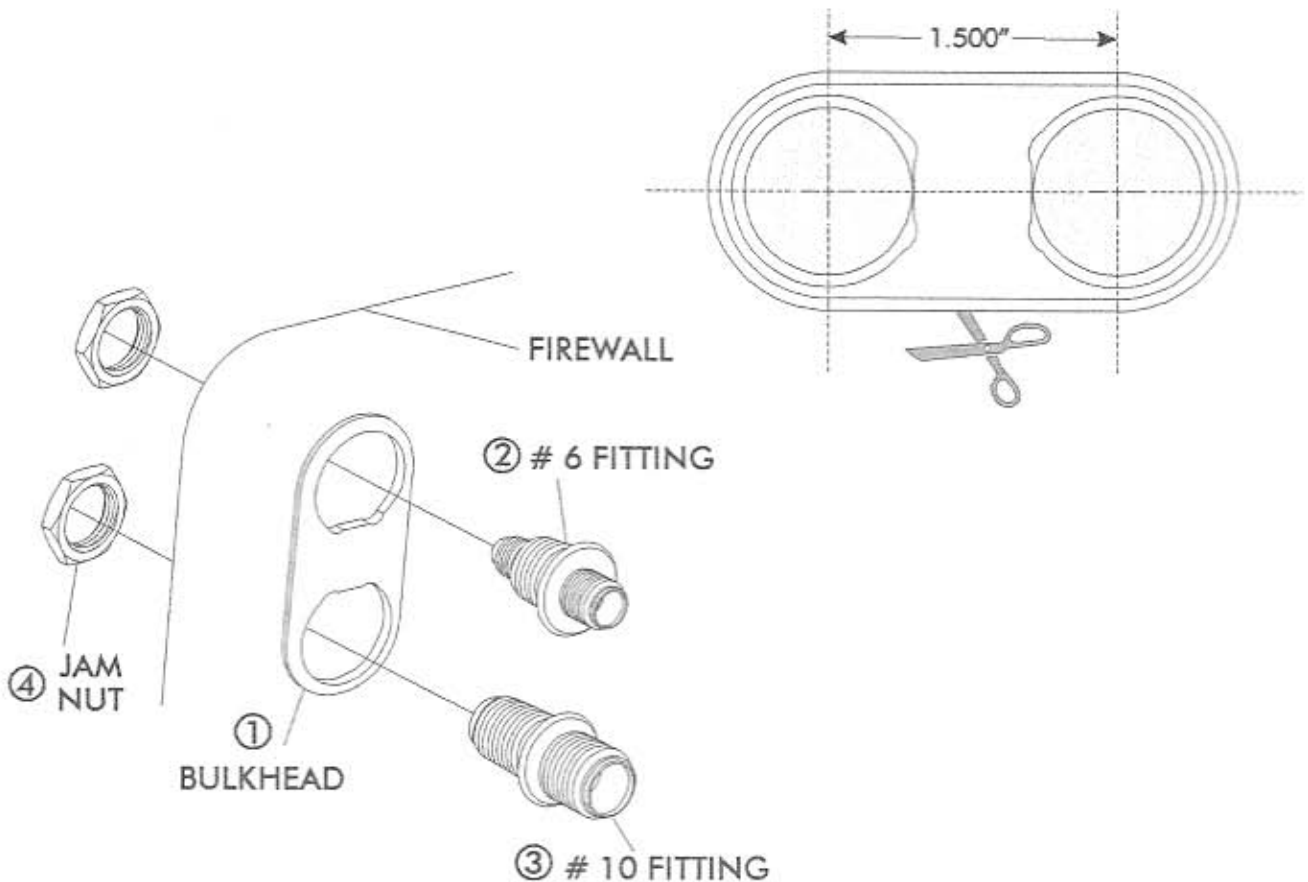


STREAMLINE BULKHEAD 2-WAY INLINE

382600-MBA STREAMLINE BULKHEAD 2-WAY INLINE #6 - #10

- CUT OUT BULKHEAD TEMPLATE AND LOCATE WHERE YOU WOULD LIKE TO PLACE YOUR BULKHEAD.
- LEVEL AND TAPE BULKHEAD TEMPLATE INTO PLACE, USE A SMALL CENTER PUNCH AND MARK HOLES.
- DRILL 7/8" HOLES FOR BULKHEAD FITTINGS AND INSTALL BULKHEAD WITH FITTINGS AS SHOWN.

NOTE: FITTINGS MAY BE ARRANGED IN ANY CONFIGURATION.



STREAMLINE BULKHEAD 2-WAY INLINE #6 -#10

382600-MBA

No.	QTY.	PART NO.	DESCRIPTION	CHECK LIST
1.	1	382300-MBQ	STRM 2 WAY INLINE BKHD	_____
2.	1	334006-VOR	STRM BKHD #6 MALE FITTING	_____
3.	1	334010-VOR	STRM BKHD #10 MALE FITTING	_____
4.	2	35335-VUQ	7/8-14 JAM NUT	_____

CHECKED BY: _____
 PACKED BY: _____
 DATE: _____