

**ADVANTAGE
VALVE**

18865 GOLL ST. - SAN ANTONIO, TX. - 78266 - ph:210-654-7171 - fax:210-654-3113

INSTALLATION INSTRUCTIONS
FOR

**SERVO
HEATER CONTROL
VALVE KIT
50507-VUA**

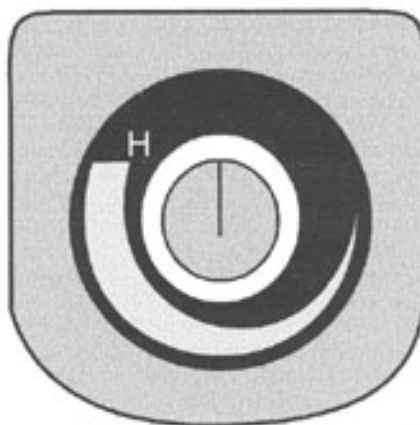


Table of Contents

PAGES

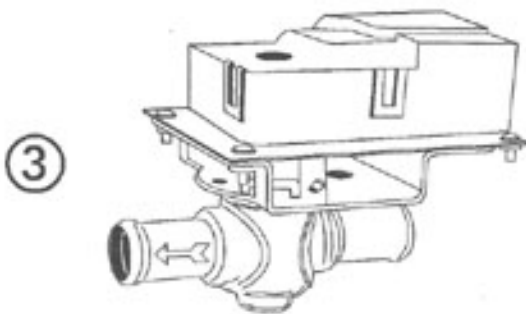
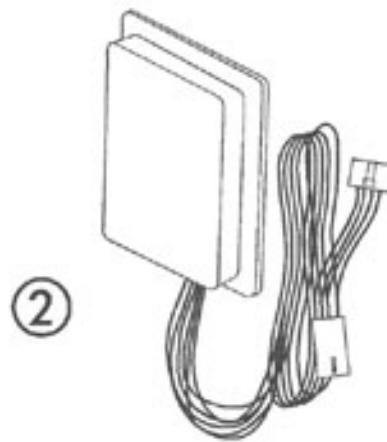
1. COVER
2. TABLE OF CONTENTS
3. CONTROL PANEL/ECU MODULE INSTALLATION
4. HEATER HOSE ROUTING WIRING DIAGRAM
5. PACKING LIST

SERVO HEATER CONTROL VALVE PACKING LIST

SERVO HEATER CONTROL VALVE KIT
50507-VUA

No.	QTY.	PART No.	DESCRIPTION
1.	1	47200-RUA	UNDER DASH ROTARY CONTROL ASSEMBLY
2.	1	24650-PUA	SERVO HEATER CONTROL VALVE ECU ASSEMBLY
3.	1	46114-VUH	SERVO HOT WATER VALVE ASSEMBLY
4.	4	18235-VUB	#8 x 1/2" PH SCREW

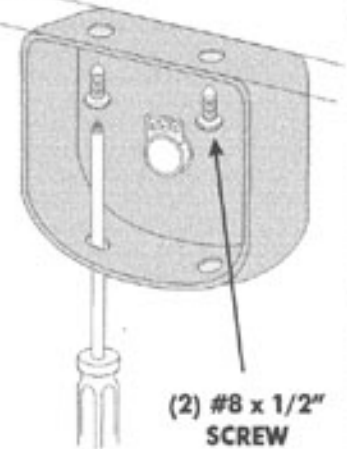
**** BEFORE BEGINNING INSTALLATION OPEN ALL PACKAGES AND CHECK CONTENTS OF SHIPMENT. PLEASE REPORT ANY SHORTAGES DIRECTLY TO VINTAGE AIR WITHIN 15 DAYS. AFTER 15 DAYS, VINTAGE AIR WILL NOT BE RESPONSIBLE FOR MISSING OR DAMAGED ITEMS.**



CONTROL PANEL/ECU MODULE INSTALLATION

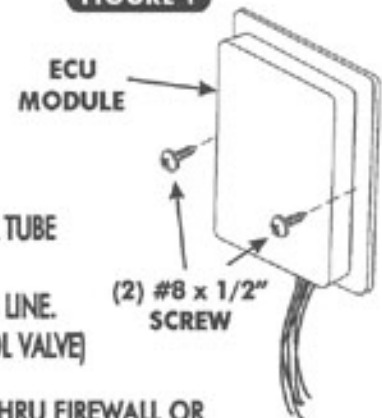
- SELECT A SUITABLE LOCATION FOR THE CONTROL PANEL. CONSIDER HEATER CONTROL VALVE LOCATION, AND THE LENGTH OF THE WIRING HARNESS. THE PANEL MAY BE MOUNTED UNDER THE DASH, OR SWITCH CAN BE REMOVED AND INSTALLED IN DASH. SEE FIGURE 1
- SELECT A SUITABLE LOCATION FOR THE ECU MODULE AND HEATER CONTROL VALVE INSIDE THE VEHICLE OR WATER TIGHT LOCATION SEE FIGURE 1.

BOTTOM
OF DASH



(2) #8 x 1/2"
SCREW

FIGURE 1



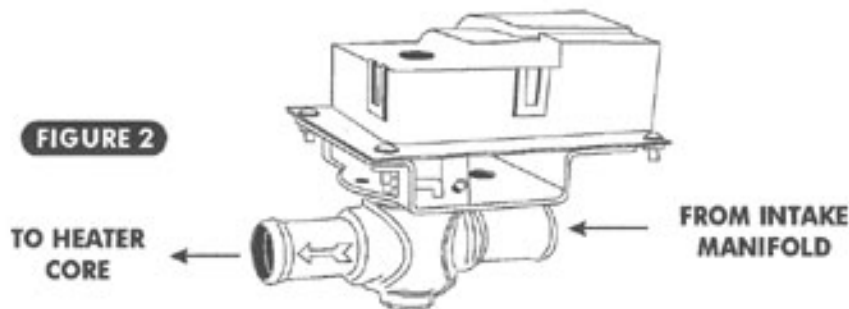
ECU
MODULE

(2) #8 x 1/2"
SCREW

HEATER HOSE INSTALLATION & HOSE ROUTING

- AFTER THE EVAPORATOR/HEATER IS IN PLACE, RUN 5/8" HEATER HOSE FROM THE HEATER TUBE THRU THE FIREWALL OR BEHIND THE KICK PANEL THRU FLOORBOARD TO THE INTAKE MANIFOLD HEATER CONNECTION. INSTALL THE HEATER CONTROL VALVE IN THIS LINE. (PRESSURE) SEE FIGURE BELOW. (BE SURE TO FOLLOW FLOW ARROW ON HEATER CONTROL VALVE)
- INSTALL 5/8" HEATER HOSE ON THE REMAINING HEATER TUBE. ROUTE HOSE THRU FIREWALL OR BEHIND KICK PANEL THRU FLOORBOARD AND OUT TO WATER PUMP CONNECTION. (SUCTION)

FIGURE 2



TO HEATER
CORE

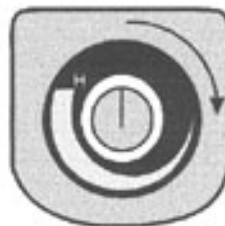
FROM INTAKE
MANIFOLD

ELECTRONIC SERVO HEATER CONTROL VALVE

FILL RADIATOR WITH AT LEAST A 50/50 MIXTURE OF APPROVED ANTIFREEZE AND WATER. IT IS THE OWNER'S RESPONSIBILITY TO KEEP THE FREEZE PROTECTION AT THE PROPER LEVEL FOR THE CLIMATE IN WHICH THE VEHICLE IS OPERATING. FAILURE TO FOLLOW ANTIFREEZE RECOMMENDATIONS WILL CAUSE HEATER CORE TO CORRODE PREMATURELY AND POSSIBLY BURST IN THE A/C MODE AND/OR FREEZING WEATHER, VOIDING YOUR WARRANTY. CHECK COMPLETE A/C ASSEMBLY FOR PROPER OPERATION.

- START ENGINE AND RUN, UNTIL NORMAL OPERATING TEMPERATURE IS REACHED. DEPENDING ON YOUR SYSTEM PLACE SWITCH IN HEAT POSITION AND SELECT DESIRED FAN SPEED. ADJUST HEAT KNOB TO DESIRED HEAT SETTING (CLOCKWISE FOR MORE HEAT).
- WHEN VALVE IS CLOSED, INLET SIDE OF VALVE SHOULD BE HOT AND OUTLET SIDE SHOULD BE COOL. WHEN THE VALVE IS OPEN, BOTH INLET AND OUTLET SIDES SHOULD BE HOT.
- CONNECT WIRING ACCORDING TO DIAGRAM BELOW.

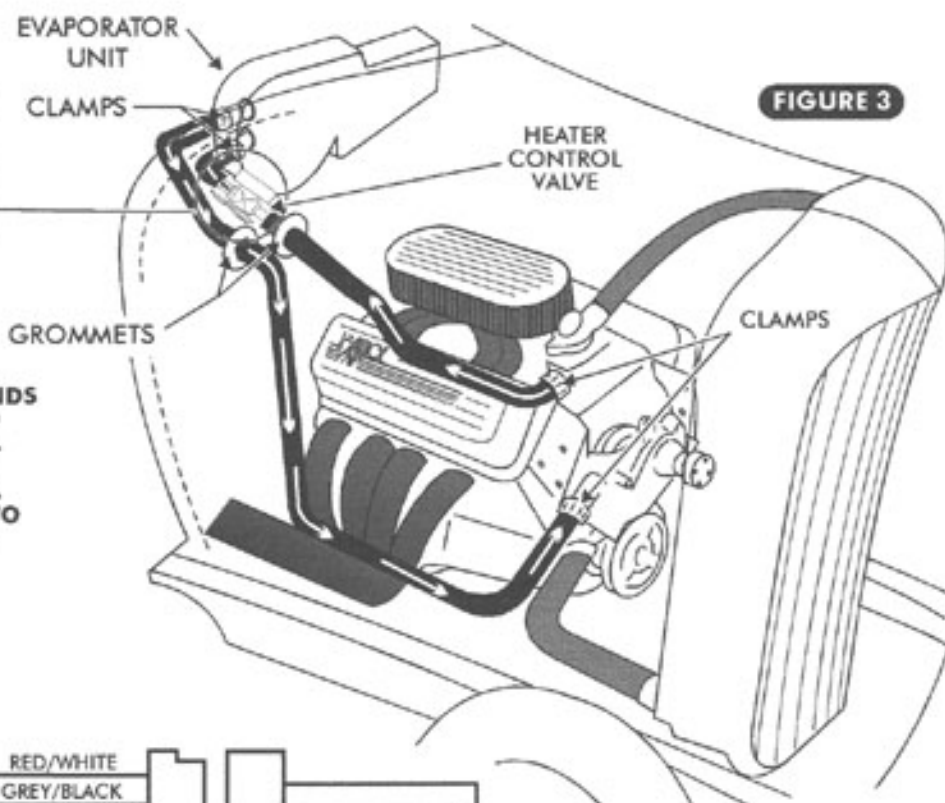
IF PREVIOUSLY REMOVED, REINSTALL DASH AND ENSURE THAT THE DUCT HOSE IS SECURELY ON THE DASH VENT HOSE ADAPTERS.



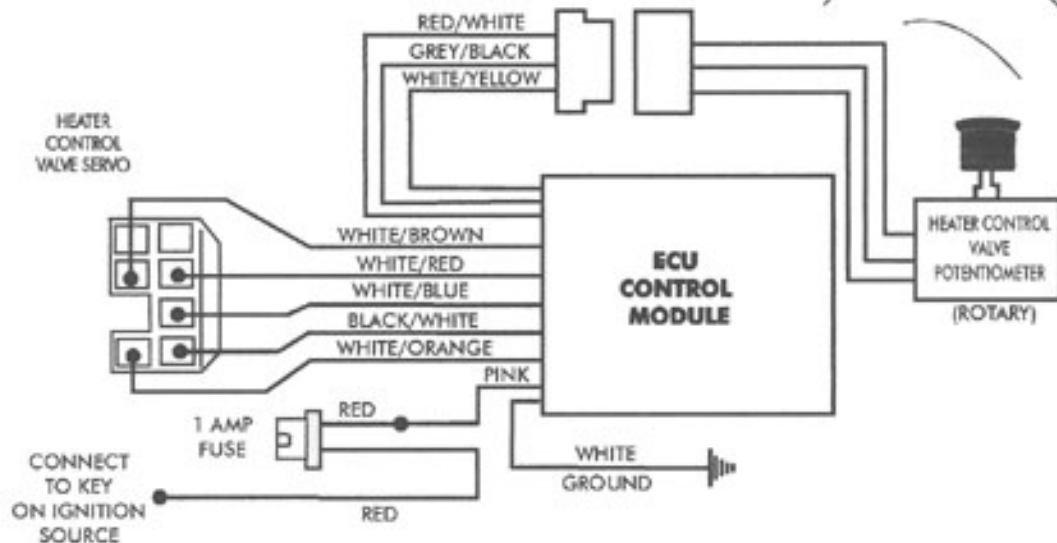
• ADJUST HEAT KNOB TO DESIRED HEAT SETTING (CLOCKWISE FOR MORE HEAT).



NOTE: VINTAGE AIR RECOMMENDS MOUNTING ELECTRIC SERVO OPERATED HEATER CONTROL VALVE INSIDE VEHICLE OR IN WATER PROOF LOCATION. INSTALL ASSEMBLY WITH SERVO ABOVE VALVE (AS SHOWN).



WIRING DIAGRAM SERVO HEATER CONTROL VALVE KIT



SERVO HEATER CONTROL VALVE PACKING LIST

SERVO HEATER CONTROL VALVE KIT
50507-VUA

No.	QTY.	PART No.	DESCRIPTION
1.	1	47200-RUA	UNDER DASH ROTARY CONTROL ASSEMBLY
2.	1	24650-PUA	SERVO HEATER CONTROL VALVE ECU ASSEMBLY
3.	1	46114-VUH	SERVO HOT WATER VALVE ASSEMBLY
4.	4	18235-VUB	#8 x 1/2" PH SCREW

CHECKED BY: _____
 PACKED BY: _____
 DATE: _____

