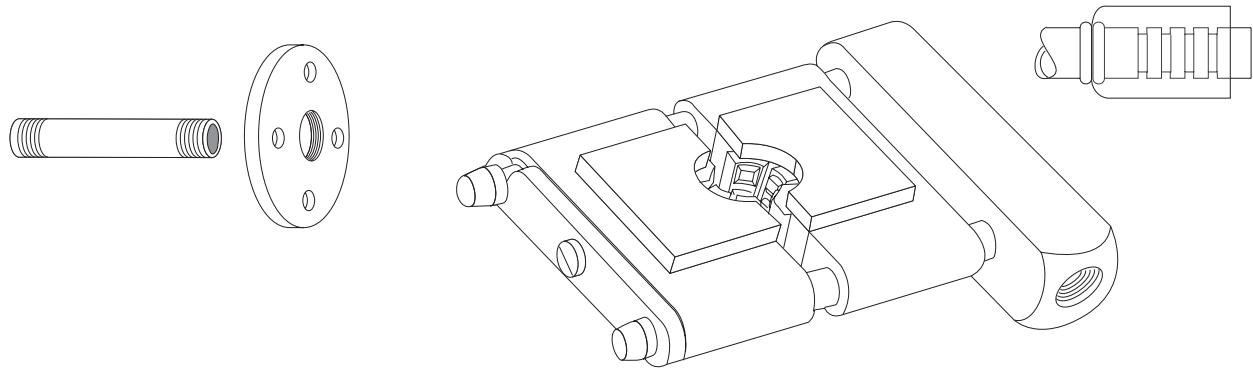




BEADLOCK A/C HOSE KITS

THIS HOSE KIT CONTAINS BEADLOCK STYLE FITTINGS. FITTINGS MUST BE CRIMPED WITH AN AUTOMOTIVE AIR CONDITIONING BEADLOCK HOSE CRIMPING TOOL. CRIMPING THIS HOSE WITH ANY OTHER TOOL CAN DAMAGE FITTINGS AND HOSES WHICH **WILL VOID THE WARRANTY.**

BEADLOCK CRIMPING TOOL



THE FOLLOWING ARE THE CRIMPING SPECS FOR OUR BEADLOCK A/C FITTINGS USING 2-PLY HOSE (DAYCO)

A/C FITTINGS	COMPRESSED SIZE IN INCHES	ALL SIZE IN TOLERANCE TO
#6	.066"	+.0015/- .005"
#8	.830"	
#10	.891"	
#12	1.015"	

THIS INFORMATION IS PROVIDED BY ATCO IN THE 42400-VUG BEADLOCK CRIMPING TOOLS THAT WE SELL.

www.atcoproductsinc.com

BARB FITTING CRIMPING TOOL

DO NOT USE BARB FITTING CRIMPING TOOL ON BEADLOCK FITTINGS!

