

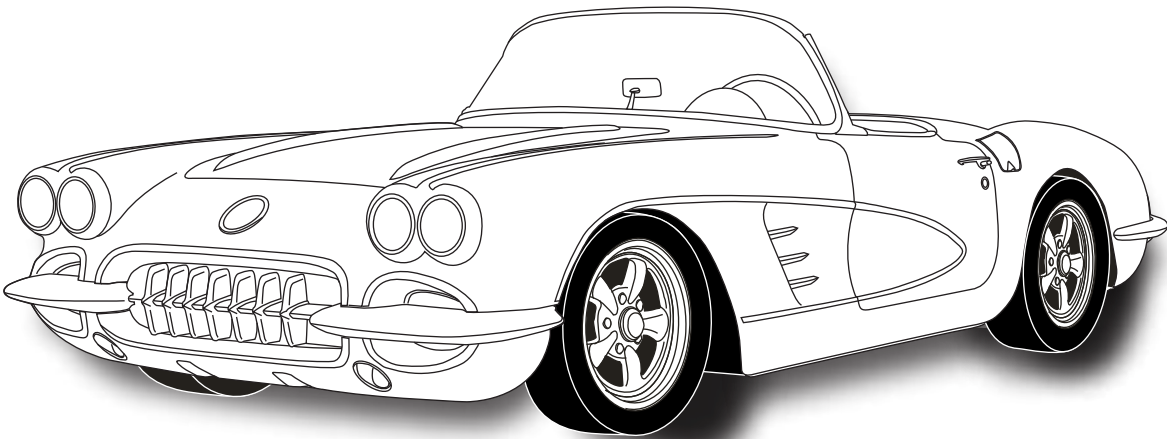


an ISO 9001:2008 Registered Company

# 1958-62 CORVETTE

CONDENSER KIT

027059



18865 GOLL ST. - SAN ANTONIO, TX. - 78266 ph.210-654-7171 - fax 210-654-3113



## ***Table of Contents***

### PAGES

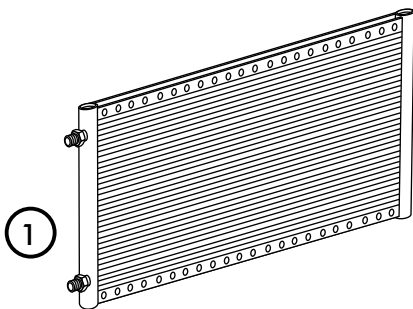
1. COVER
2. TABLE OF CONTENTS
3. PACKING LIST/PARTS DISCLAIMER
4. MOUNTING BRACKET INSTALLATION
5. CORE SUPPORT MODIFICATION
6. CONDENSER INSTALLATION
7. PACKING LIST



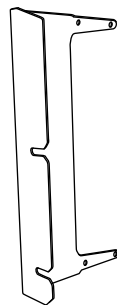
**CONDENSER KIT  
027059**

No.	QTY.	PART No.	DESCRIPTION
1.	1	03767-VUC	14 X 24 PARALLEL FLOW COND.
2.	1	644057	BRKT 58-62 VETTE DS COND
3.	1	644058	BRKT 58-62 VETTE PS COND
4.	8	18260-VUB	10-24 NUT w/STAR WASHER
5.	8	18249-VUB	10-24 x 3/8" PAN HEAD SCREW

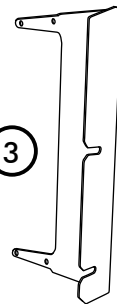
**\*\* BEFORE BEGINNING INSTALLATION OPEN ALL PACKAGES AND CHECK CONTENTS OF SHIPMENT. PLEASE REPORT ANY SHORTAGES DIRECTLY TO VINTAGE AIR WITHIN 15 DAYS. AFTER 15 DAYS, VINTAGE AIR WILL NOT BE RESPONSIBLE FOR MISSING OR DAMAGED ITEMS.**



2



3



4



5

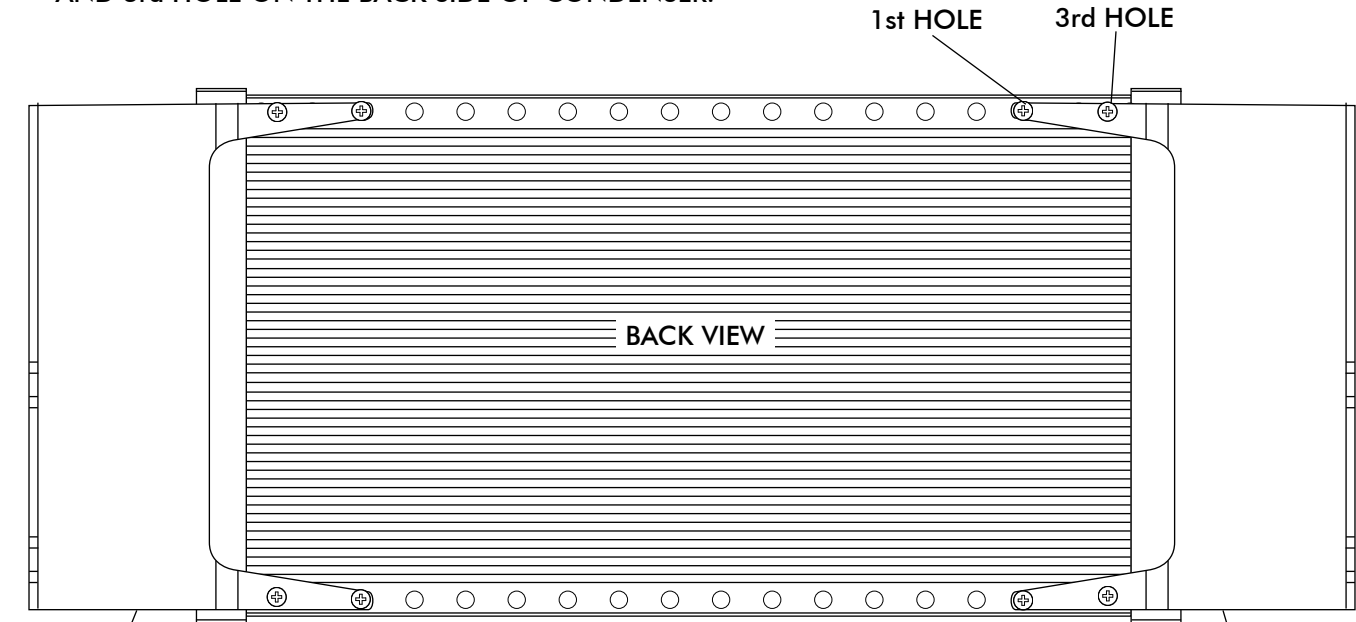




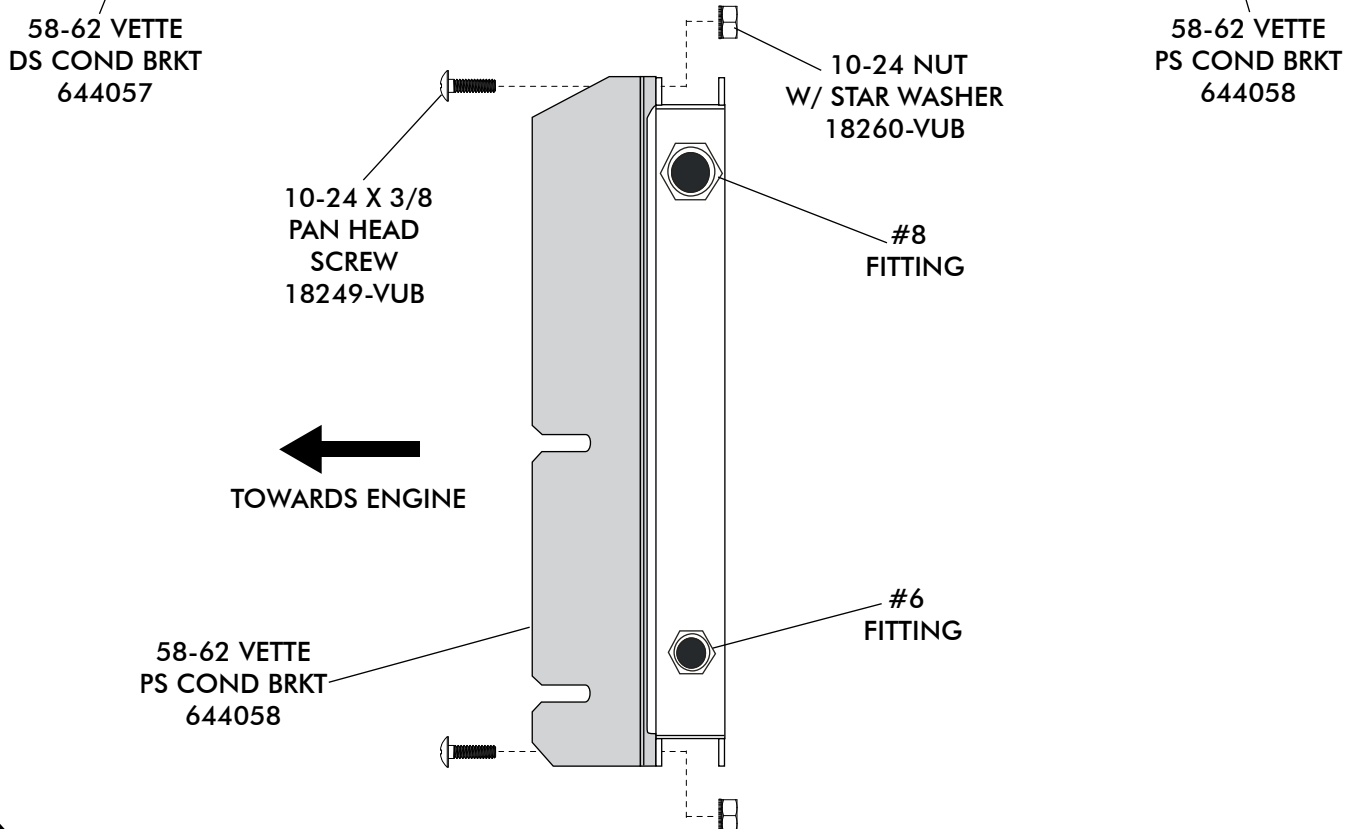
**NOTE: MARK HINGE LOCATION ON HOOD AND REMOVE HOOD. REMOVE HOOD PROP.**

## **MOUNTING BRACKET INSTALLATION**

- INSTALL DRIER MOUNTING BRACKETS ON TO CONDENSER USING 10-24 x 3/8 PAN HEAD SCREWS AND 10-24 NUTS WITH STAR WASHERS AS SHOWN BELOW. NOTE: BRACKETS MOUNT THROUGH THE 1st AND 3rd HOLE ON THE BACK SIDE OF CONDENSER.



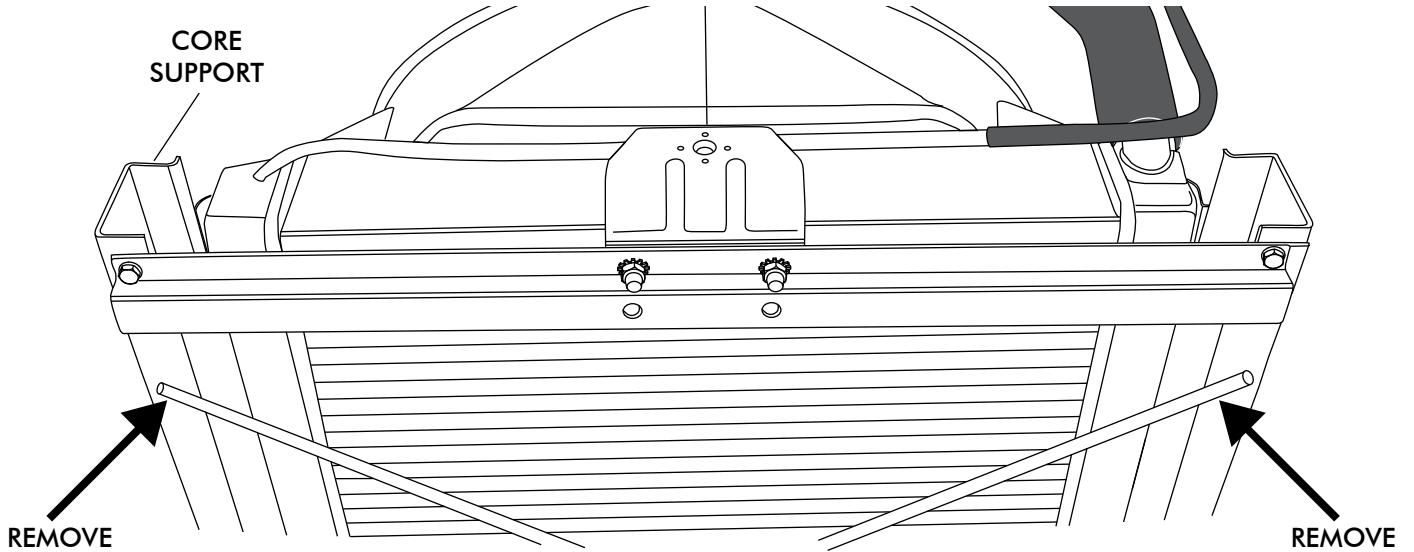
**SIDE VIEW OF CONDENSER**





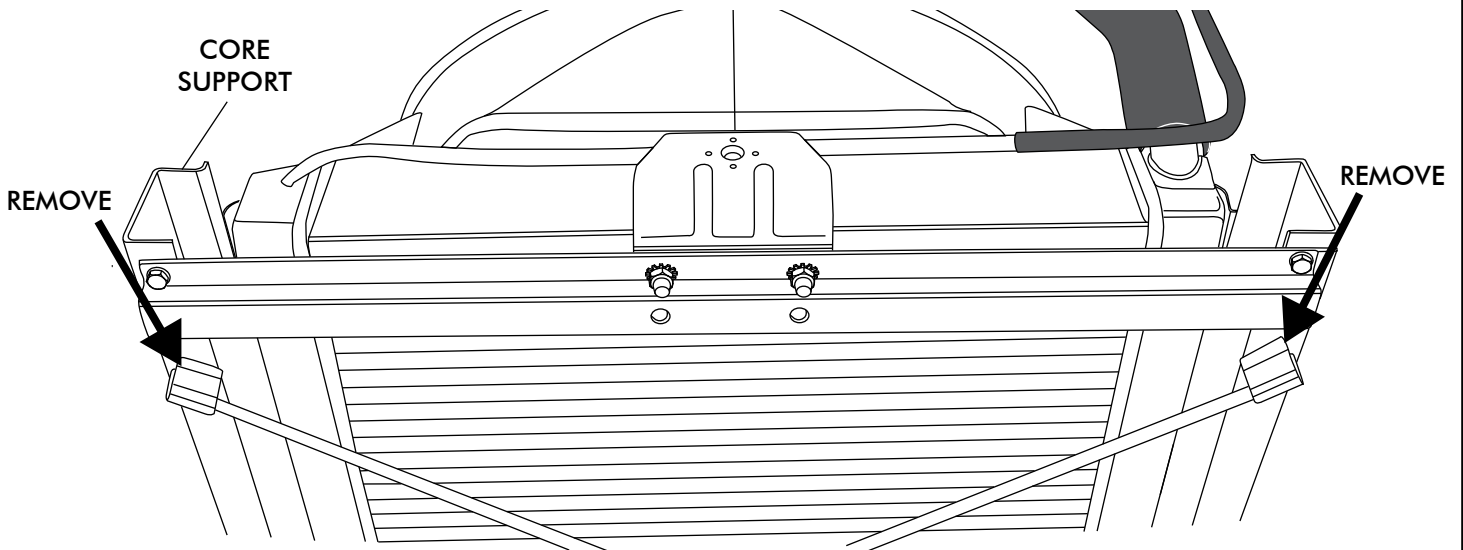
### CORE SUPPORT MODIFICATION 58-59

- FOR PROPER HOOD CLEARANCE, REMOVE "X" BRACES FROM RADIATOR CORE SUPPORT AS SHOWN BELOW.



### CORE SUPPORT MODIFICATION 60-62

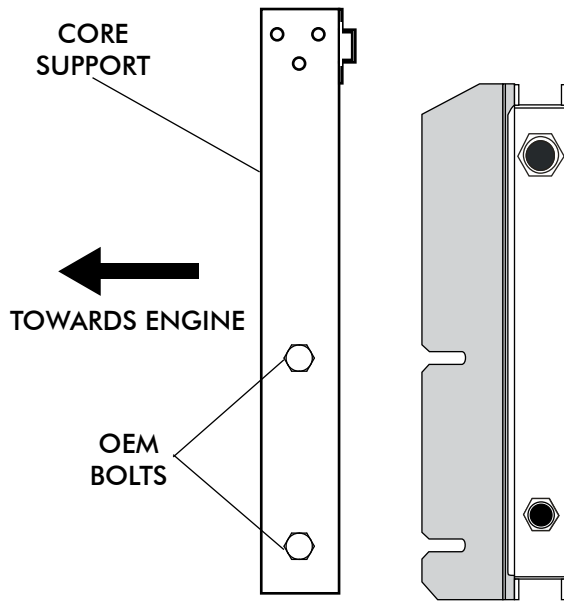
- FOR PROPER HOOD CLEARANCE, REMOVE "X" BRACES FROM RADIATOR CORE SUPPORT AS SHOWN BELOW.



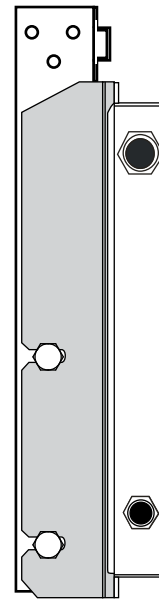


## CONDENSER INSTALLATION

- INSTALL CONDENSER TO CORE SUPPORT BETWEEN INNER FENDER & CORE SUPPORT AS SHOWN BELOW.



SIDE VIEW



SIDE VIEW  
(INSTALLED)

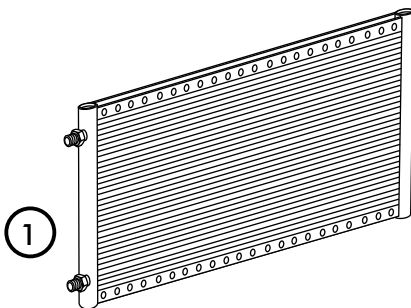
- RE-INSTALL HOOD AND HOOD PROP.



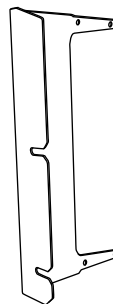
**CONDENSER KIT  
027059**

No.	QTY.	PART No.	DESCRIPTION
1.	1	03767-VUC	14 X 24 PARALLEL FLOW COND.
2.	1	644057	BRKT 58-62 VETTE DS COND
3.	1	644058	BRKT 58-62 VETTE PS COND
4.	8	18260-VUB	10-24 NUT w/STAR WASHER
5.	8	18249-VUB	10-24 x 3/8" PAN HEAD SCREW

CHECKED BY: \_\_\_\_\_  
 PACKED BY: \_\_\_\_\_  
 DATE: \_\_\_\_\_



2



3

