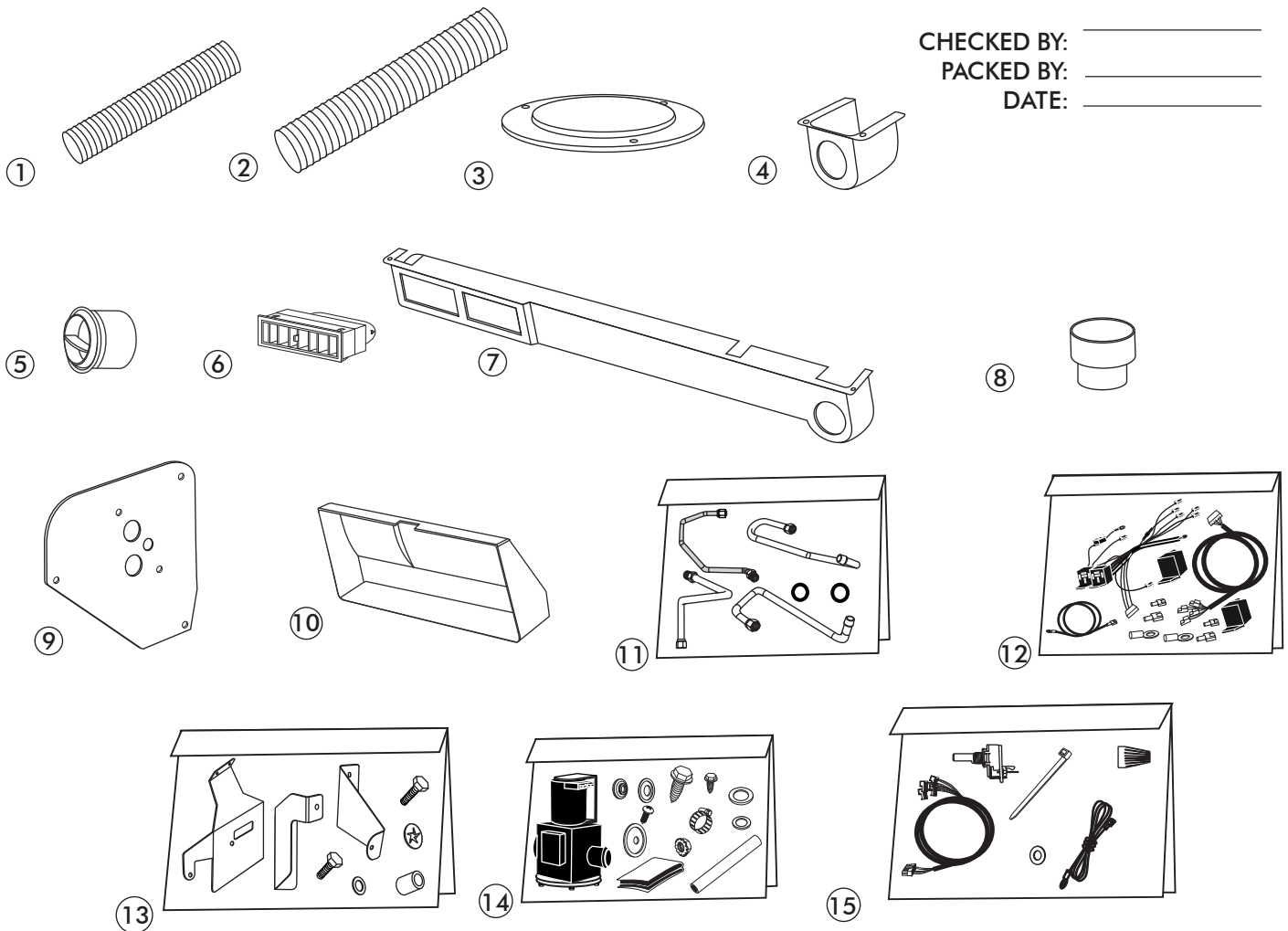




1962-65 NOVA ACCESSORY KIT PACKING LIST

ACCESSORY KIT
784065

No.	QTY.	PART No.	DESCRIPTION	
1.	3	06200-VUE	2" DUCT HOSE	_____
2.	10	06250-VUE	2 1/2" DUCT HOSE	_____
3.	1	62354-VFE	64½-68 MUSTANG/NOVA FRESH AIR CAP	_____
4.	1	592665-PCE	62-67 NOVA DR SIDE LOUVER HOUSING	_____
5.	2	49053-VUL	CHROME BALL LOUVER	_____
6.	2	49056-VUL	LOUVER	_____
7.	1	592668-PCE	62-67 NOVA CENTER/ PS LOUVER BEZEL	_____
8.	2	629961	62-65 NOVA DEFROST DUCT HOSE ADAPTER	_____
9.	1	642077	62-67 NOVA FIREWALL COVER	_____
10.	1	629962	GLOVE BOX 62-65 NOVA	_____
11.	1	092165	62-67 NOVA EVAP HARDLINE KIT	_____
12.	1	232600-VUA	GEN IV UNIVERSAL WIRING KIT	_____
13.	1	643265	62-67 NOVA EVAP BRKT KIT	_____
14.	1	633162	IK KIT 62-65 NOVA	_____
15.	1	473061	62-65 NOVA CONTROL PANEL KIT	_____



CHECKED BY: _____
 PACKED BY: _____
 DATE: _____