

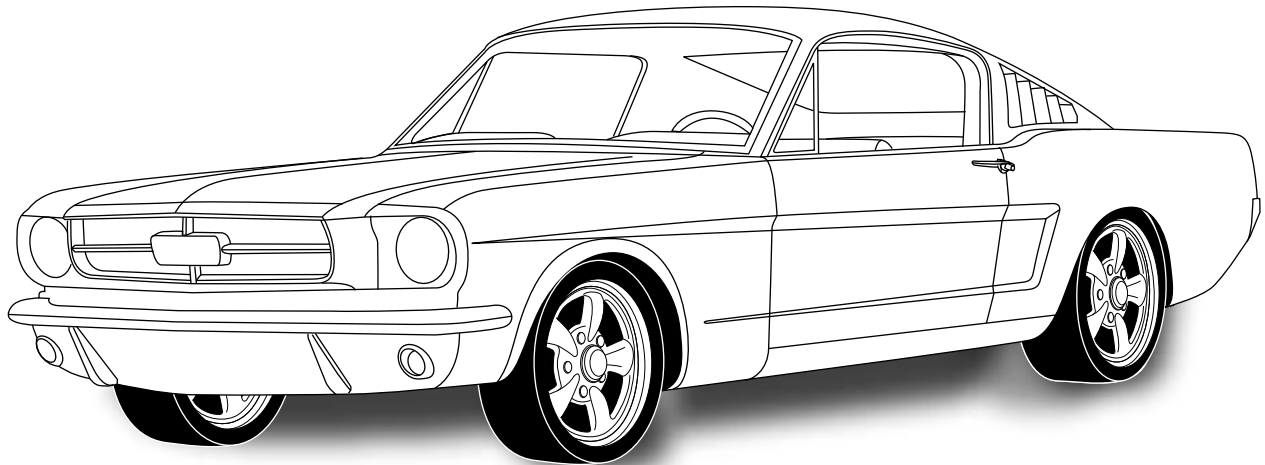


an ISO 9001:2000 Registered Company

1964 1/2-66 MUSTANG

CONDENSER KIT

017065



18865 GOLL ST. - SAN ANTONIO, TX. - 78266 ph.210-654-7171 - fax 210-654-3113



TABLE OF CONTENTS

PAGES

1. COVER
2. TABLE OF CONTENTS
3. PACKING LIST/PARTS DISCLAIMER
4. INFORMATION PAGE
5. MOUNTING BRACKET INSTALLATIONS & HOOD LATCH ASSEMBLY
FIGURES 1 & 2
6. CONDENSER INSTALLATION
FIGURES 3 & 4
7. PACKING LIST

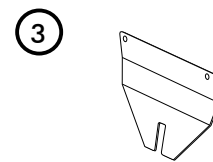
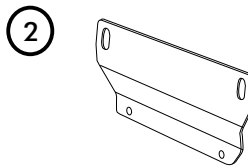
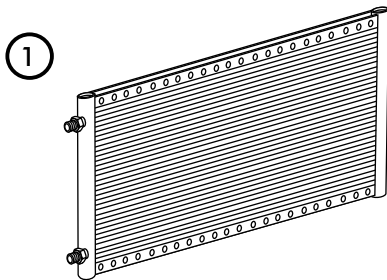


1964½-66 MUSTANG CONDENSER KIT

**CONDENSER KIT
017065**

NO.	QTY.	PART NO.	DESCRIPTION
1.	1	03765-VUC	SUPER FLOW CONDENSER 14 X 20
2.	1	64265-PFB	64½-66 MUSTANG UPPER COND BRKT
3.	1	64264-PFB	64½-66 MUSTANG LOWER COND BRKT
4.	4	18260-VUB	10/24 NUT W/STAR WASHER
5.	4	18249-VUB	10-24 X 3/8 PAN HEAD SCREW

**** BEFORE BEGINNING INSTALLATION OPEN ALL PACKAGES AND CHECK CONTENTS OF SHIPMENT. PLEASE REPORT ANY SHORTAGES DIRECTLY TO VINTAGE AIR WITHIN 15 DAYS. AFTER 15 DAYS, VINTAGE AIR WILL NOT BE RESPONSIBLE FOR MISSING OR DAMAGED ITEMS.**

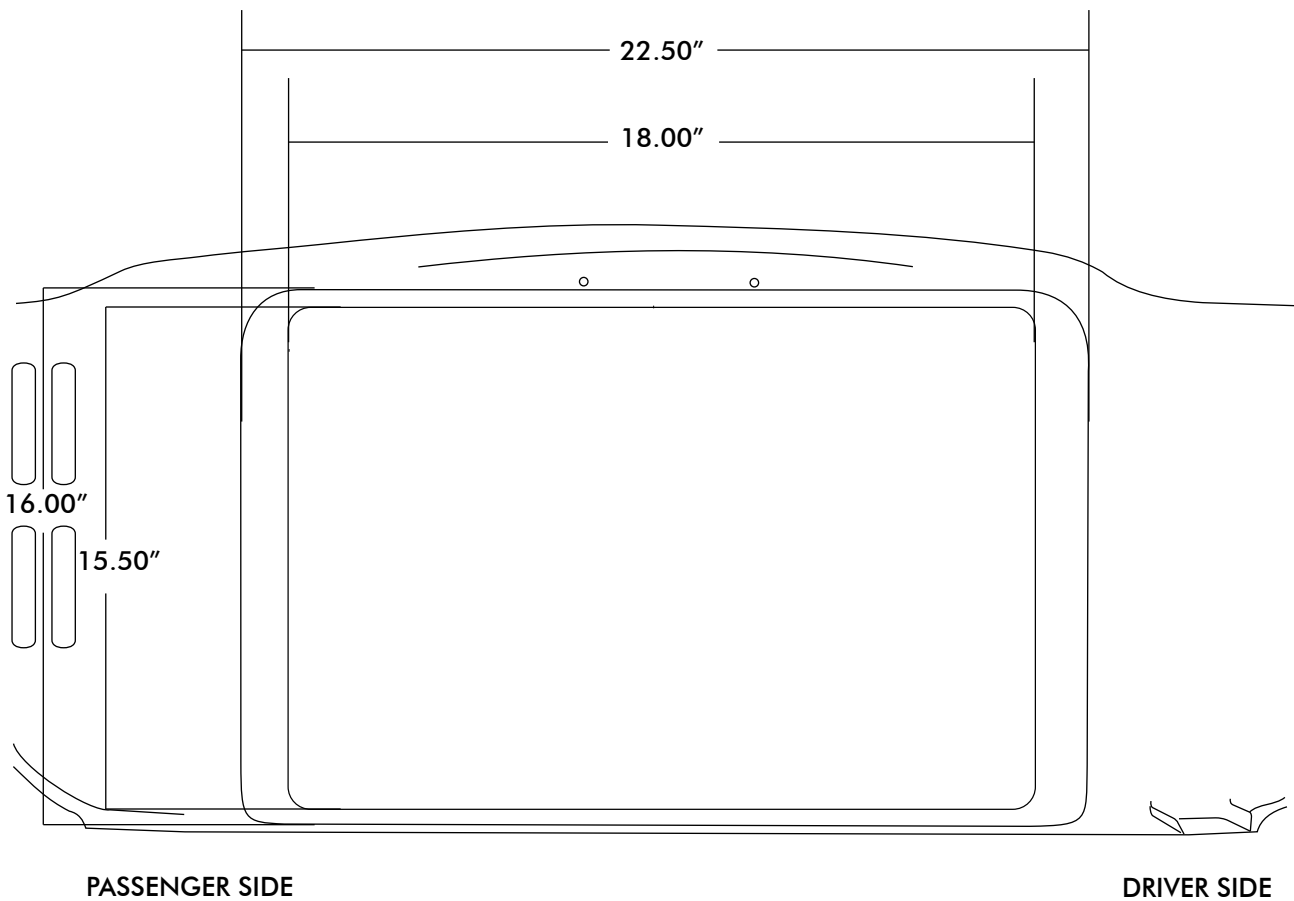




1964¹/₂-66 MUSTANG

IMPORTANT NOTICE-PLEASE READ

THIS KIT WAS DEVELOPED BASED ON THE MEASUREMENTS BELOW, WHICH WERE TAKEN FROM A 1965 MUSTANG CORE SUPPORT.





MOUNTING BRACKET INSTALLATION

- INSTALL CONDENSER MOUNTING BRACKET ON TO CONDENSER USING (4) 10/24 X 3/8 PAN HEAD SCREWS AND (4) 10/24 NUTS WITH STAR WASHERS. SEE FIGURE 1.

NOTE: TOP BRACKET MOUNTS THROUGH 6TH & 10TH HOLE AND BOTTOM BRACKET MOUNTS THROUGH 4TH & 8TH HOLE.

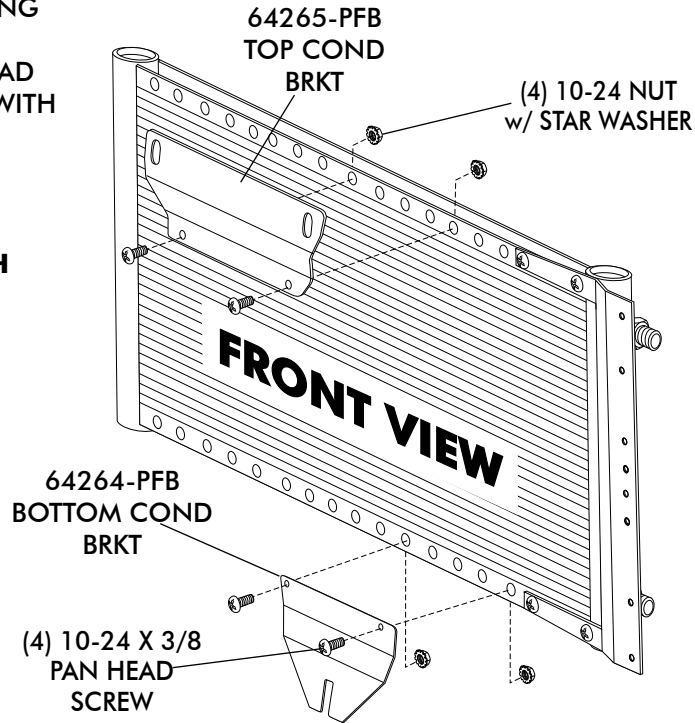
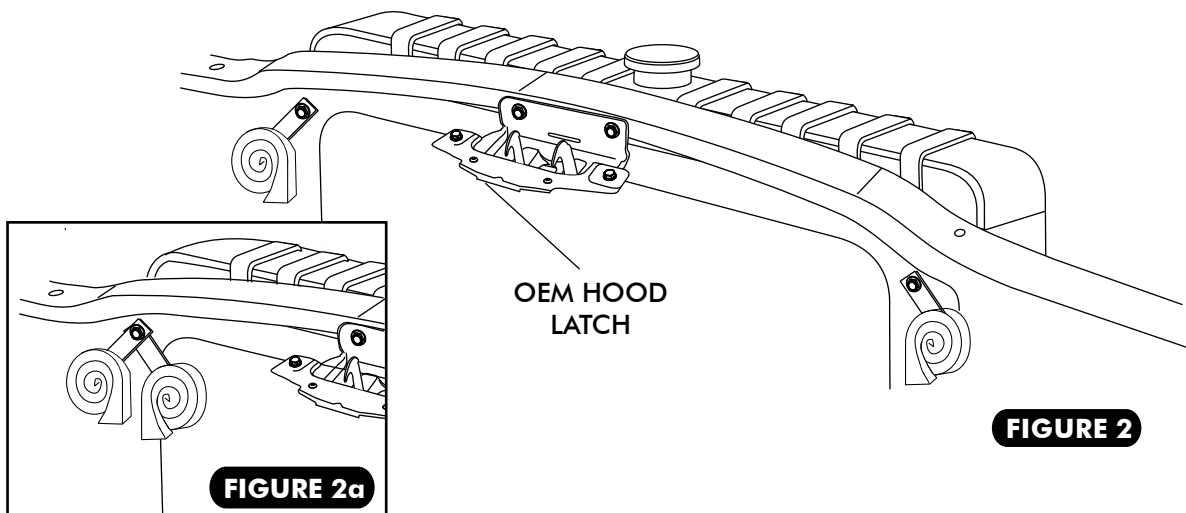


FIGURE 1

HOOD LATCH ASSEMBLY

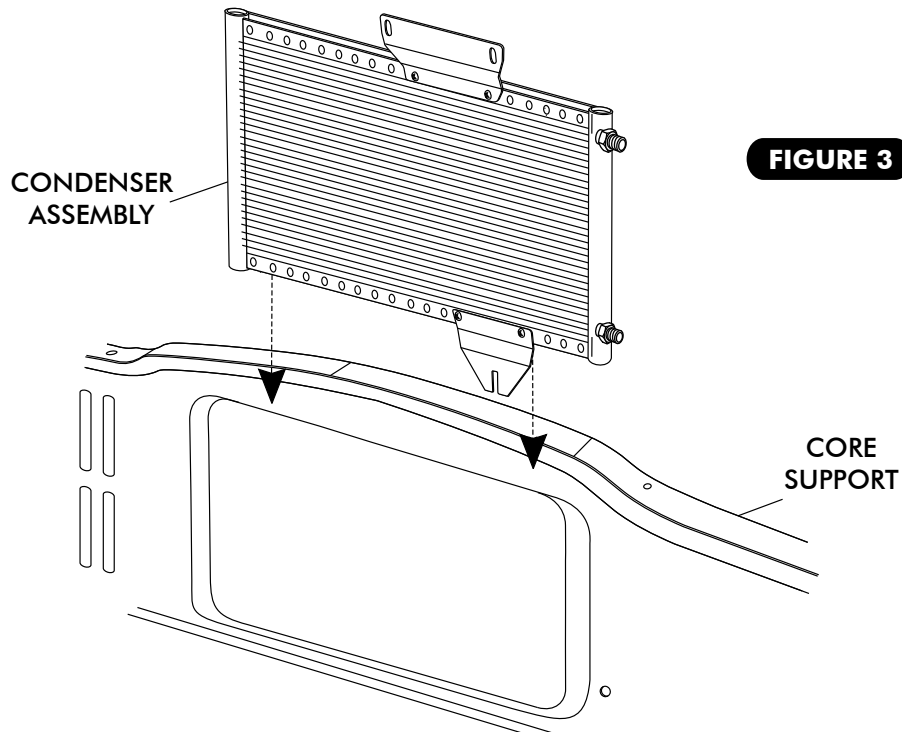
- REMOVE OEM HOOD LATCH ASSEMBLY. SEE FIGURE 2 BELOW.
- REMOVE OEM DRIVER SIDE HORN. RELOCATE TO PASSENGER SIDE. SEE FIGURE 2 AND 2a.



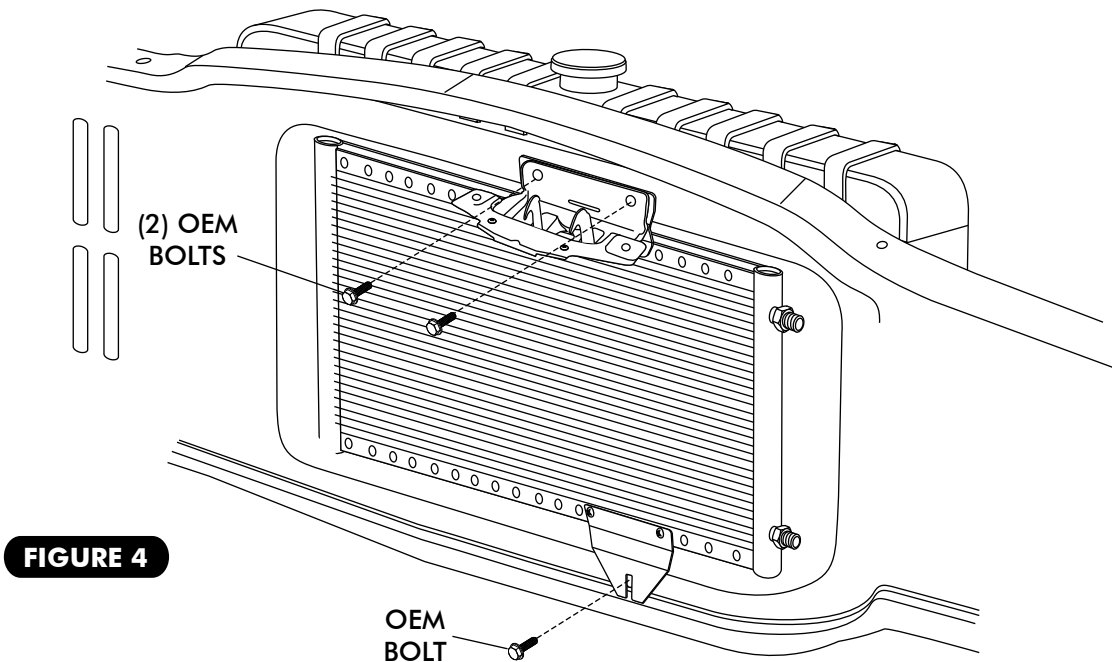


CONDENSER INSTALLATION

- INSTALL CONDENSER IN FRONT OF CORE SUPPORT AS SHOWN BELOW IN FIGURE 3.



- USING OEM BOLTS RE-INSTALL HOOD LATCH ASSEMBLY. INSTALL OEM BOLTS THROUGH THE HOOD LATCH ASSEMBLY AND THE CONDENSER/BRACKET ASSEMBLY INTO THE CORE SUPPORT. SEE FIGURE 4.



- USING OEM BOLT ATTACH BOTTOM OF HOOD LATCH ASSEMBLY. INSTALL OEM BOLTS THROUGH BOTTOM OF HOOD LATCH ASSEMBLY AND THE CONDENSER/BRACKET ASSEMBLY INTO THE CORE SUPPORT.



1964½-66 MUSTANG CONDENSER KIT

CONDENSER KIT
017065

NO.	QTY.	PART NO.	DESCRIPTION	
1.	1	03765-VUC	SUPER FLOW CONDENSER 14 X 20	_____
2.	1	64265-PFB	64½-66 MUSTANG UPPER COND BRKT	_____
3.	1	64264-PFB	64½-66 MUSTANG LOWER COND BRKT	_____
4.	4	18260-VUB	10/24 NUT W/STAR WASHER	_____
5.	4	18249-VUB	10-24 X 3/8 PAN HEAD SCREW	_____

CHECKED BY: _____
PACKED BY: _____
DATE: _____

