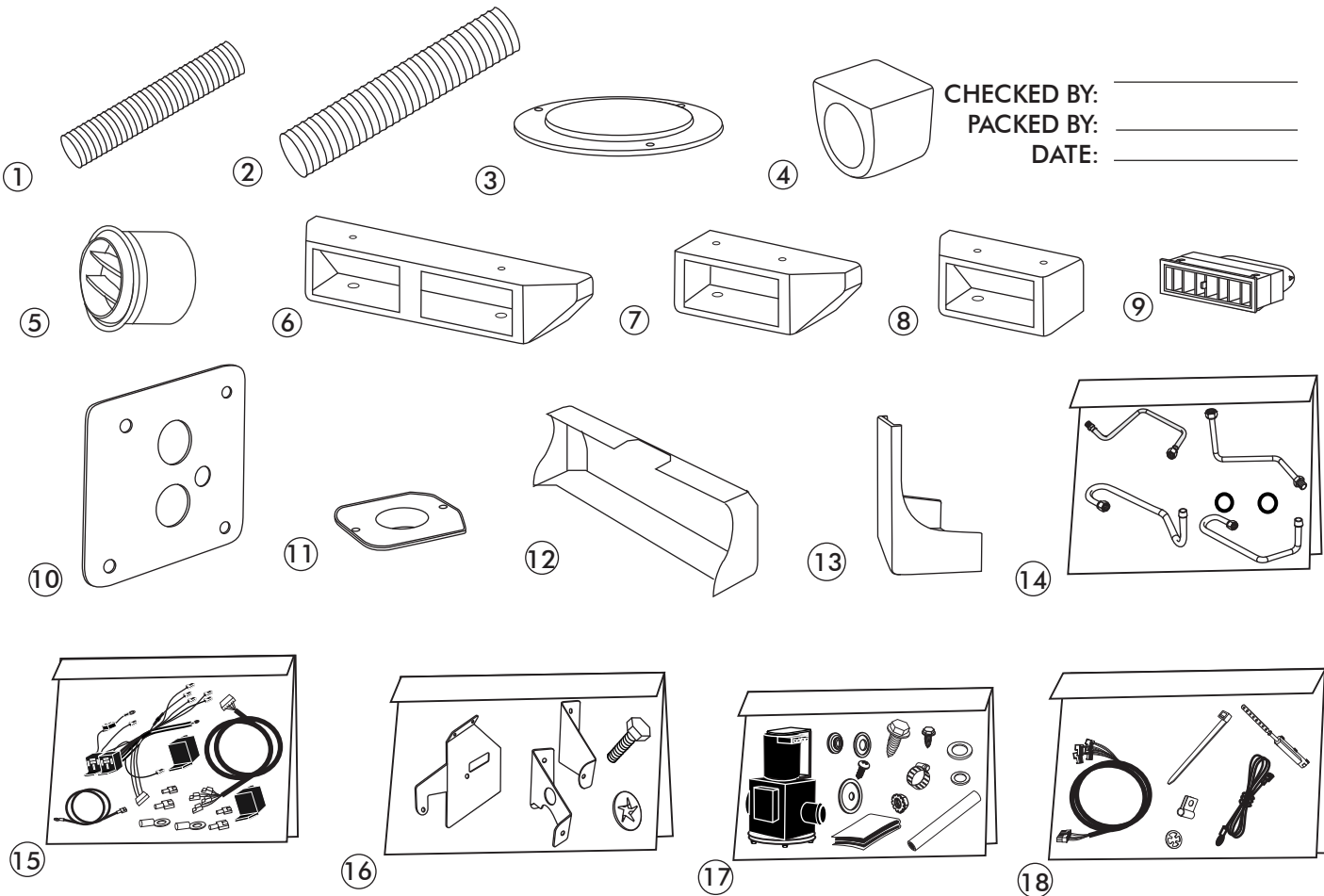




# 1964½-66 MUSTANG ACCESSORY KIT PACKING LIST

ACCESSORY KIT  
781066

No.	QTY.	PART No.	DESCRIPTION
1.	3	06200-VUE	2" DUCT HOSE
2.	10	06250-VUE	2 1/2" DUCT HOSE
3.	2	62354-VFE	64½-68 MUSTANG FRESH AIR CAP
4.	2	626677	64½-68 MUSTANG WO AC DR/ PS LOUVER HOUSING
5.	2	490535	DOUBLE VANE CHROME LOUVER
6.	1	62347-VFE	64½-66 MUSTANG CENTER LOUVER BEZEL
7.	1	62360-VFE	64½-66 MUSTANG PASS SIDE CENTER LOUVER BEZEL
8.	1	62361-VFE	64½-66 MUSTANG DR SIDE CENTER LOUVER BEZEL
9.	2	49056-VUL	LOUVER
10.	1	642062	64½-66 MUSTANG FIREWALL COVER
11.	2	62342-VFE	64½-66 MUSTANG DEFROST DUCT
12.	1	62340-VFE	64½-66 MUSTANG GLOVE BOX
13.	1	626669	64½-66 MUSTANG CONSOLE CAP
14.	1	082067	64½-68 MUSTANG EVAP HARDLINE KIT
15.	1	232600-VUA	GEN IV UNIVERSAL WIRING KIT
16.	1	643266	64½-66 MUSTANG EVAP BRKT KIT
17.	1	632066	64½-66 MUSTANG IK KIT
18.	1	471066	64½-66 MUSTANG CONTROL PANEL KIT



CHECKED BY: \_\_\_\_\_  
 PACKED BY: \_\_\_\_\_  
 DATE: \_\_\_\_\_