

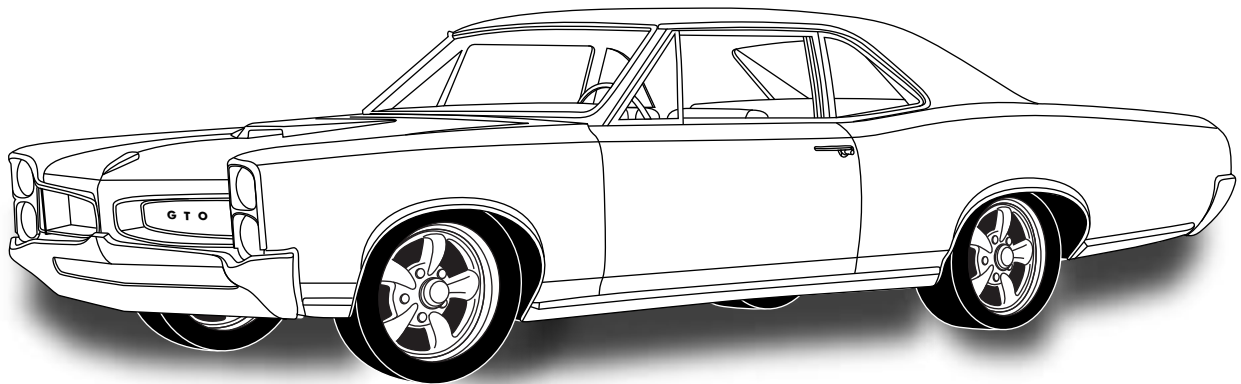


an ISO 9001:2008 Registered Company

# 1965-67 PONTIAC GTO

CONDENSER KIT

026765



18865 GOLL ST. - SAN ANTONIO, TX. - 78266 ph.210-654-7171 - fax 210-654-3113



## TABLE OF CONTENTS

### PAGES

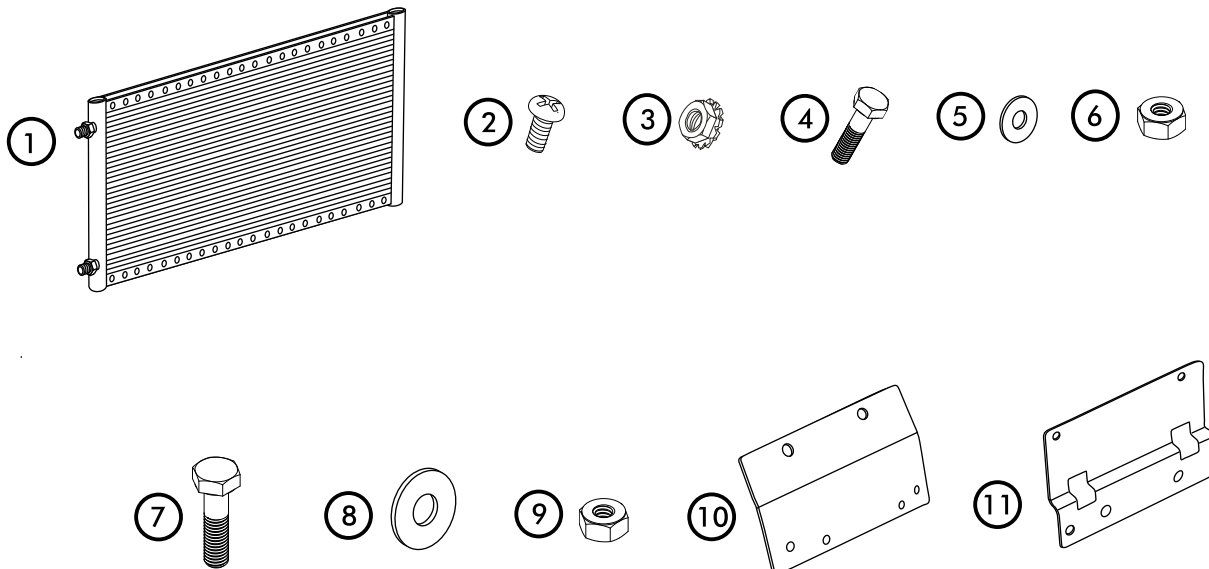
1. COVER
2. TABLE OF CONTENTS
3. PACKING LIST/PARTS DISCLAIMER
4. INFORMATION PAGE
5. MOUNTING BRACKET INSTALLATION
6. MOUNTING BRACKET INSTALLATION CONT.
7. RADIATOR/HOOD LATCH REMOVAL & CONDENSER INSTALLATION
8. CONDENSER INSTALLATION CONT.
9. PACKING LIST



**CONDENSER KIT  
026765**

No.	QTY.	PART No.	DESCRIPTION
1.	1	03767-VUC	14 X 24 PARALLEL FLOW COND.
2.	4	18249-VUB	10-24 X 3/8 PAN HEAD SCREW
3.	4	18260-VUB	10-24 NUT W/STAR WASHER
4.	1	18290-VUB	1/4-20 X 1 HEX BOLT
5.	1	18125-VUB	1/4 FLAT WASHER
6.	1	18136-VUB	1/4-20 HEX NUT
7.	1	18359-VUB	3/8-16 X 1 HEX BOLT
8.	1	18029-VUB	3/8 FLAT WASHER
9.	1	18154-VUB	3/8-16 HEX NUT
10.	1	643053	BRKT 65-67 GTO TOP COND
11.	1	643052	BRKT 64-67 GTO BOTTOM COND

**\*\*BEFORE BEGINNING INSTALLATION OPEN ALL PACKAGES AND CHECK CONTENTS OF SHIPMENT PLEASE REPORT ANY SHORTAGES DIRECTLY TO VINTAGE AIR WITHIN 15 DAYS. AFTER 15 DAYS, VINTAGE AIR WILL NOT BE RESPONSIBLE FOR MISSING OR DAMAGED ITEMS.**



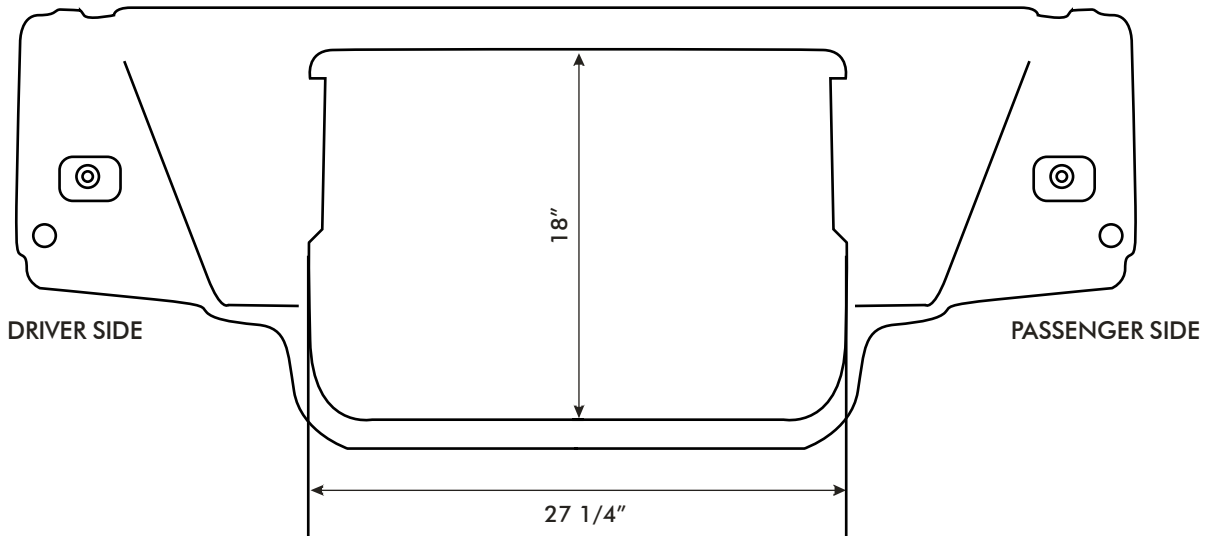


# IMPORTANT NOTICE-PLEASE READ

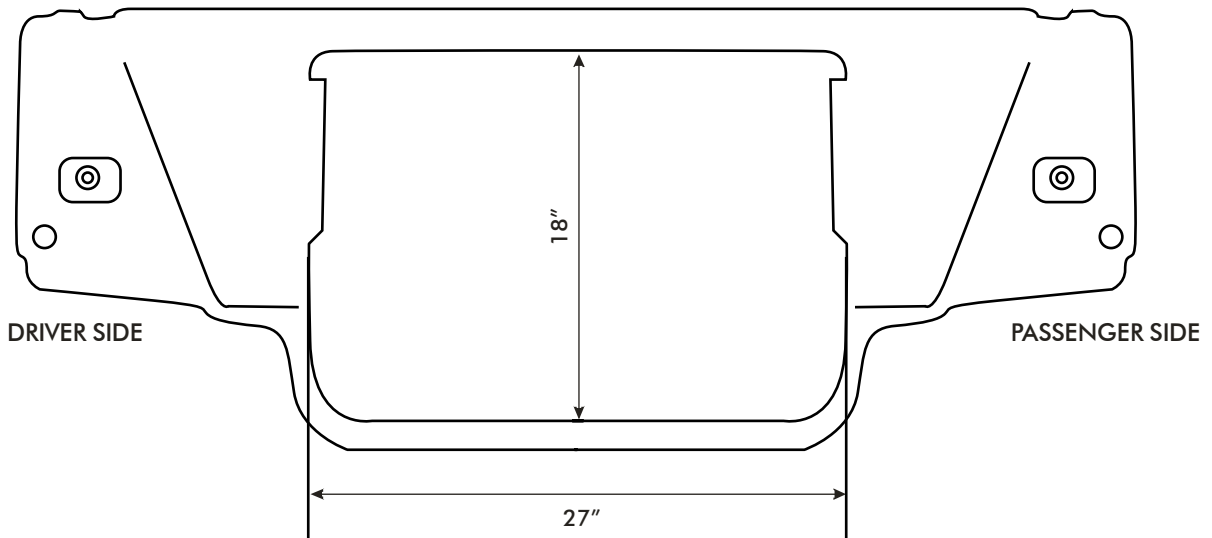
## 1965-67 GTO

THIS KIT WAS DEVELOPED BASED ON THE MEASUREMENTS BELOW.

1966 GTO  
ENGINE SIDE  
OF CORE SUPPORT



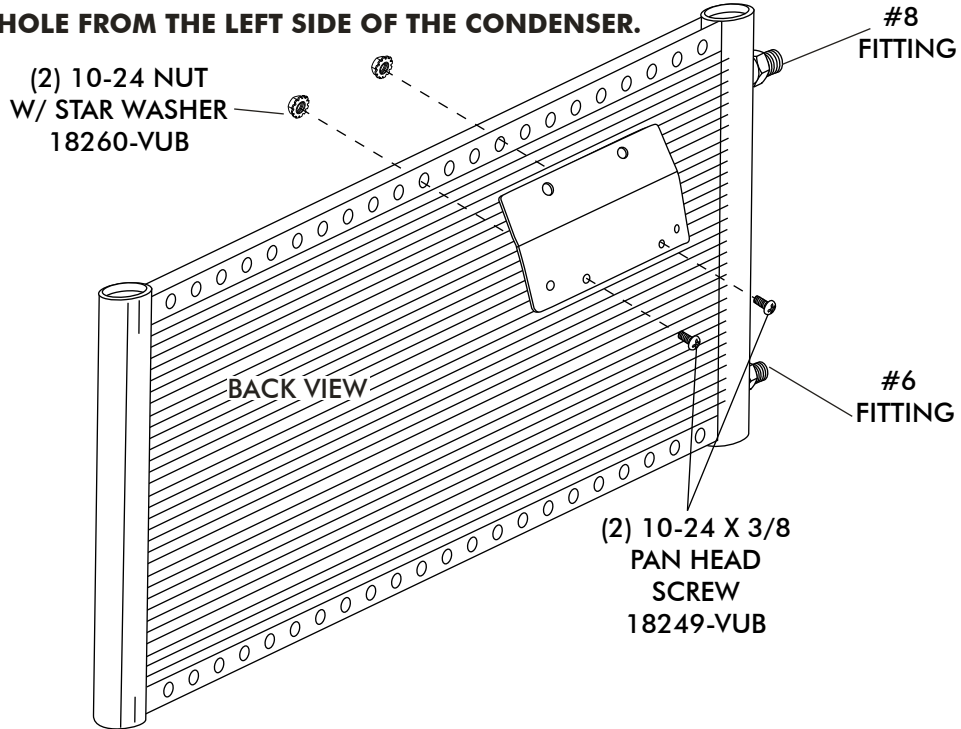
1965 GTO  
ENGINE SIDE  
OF CORE SUPPORT





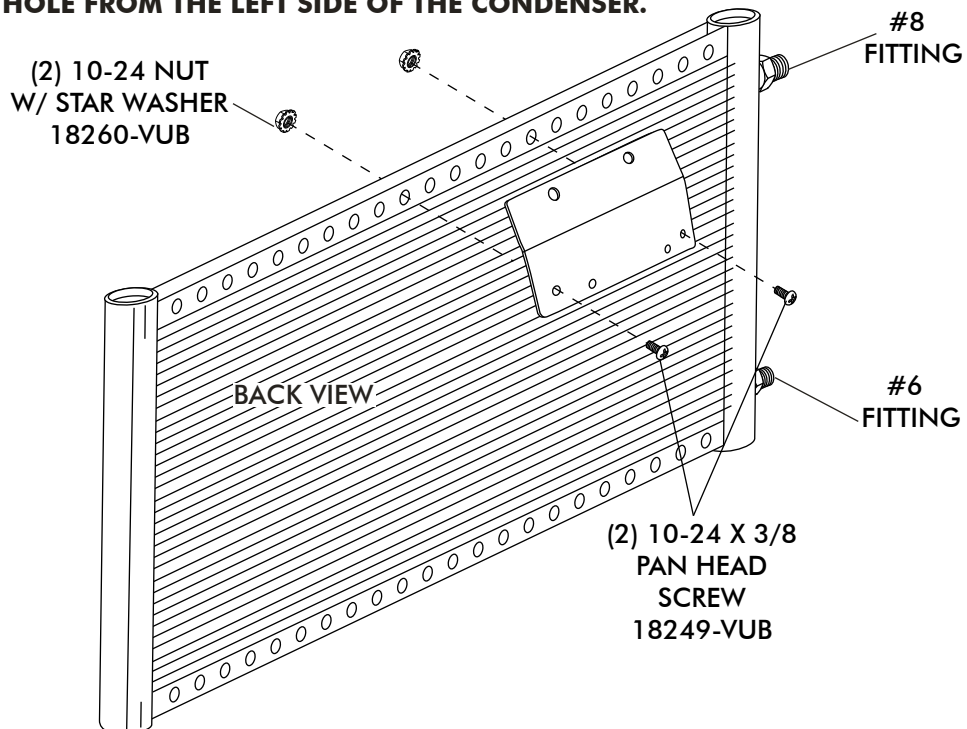
**TOP MOUNTING BRACKET INSTALLATION (FOR 65 GTO/LEMANS ONLY)**

- INSTALL TOP MOUNTING BRACKET ON TO CONDENSER USING (2) 10-24 X 3/8 PAN HEAD SCREWS AND (2) 10-24 NUTS WITH STAR WASHERS. **NOTE: BRACKET MOUNTS THROUGH THE 11TH & 14TH HOLE FROM THE LEFT SIDE OF THE CONDENSER.**



**TOP MOUNTING BRACKET INSTALLATION (FOR 66-67 GTO/LEMANS ONLY)**

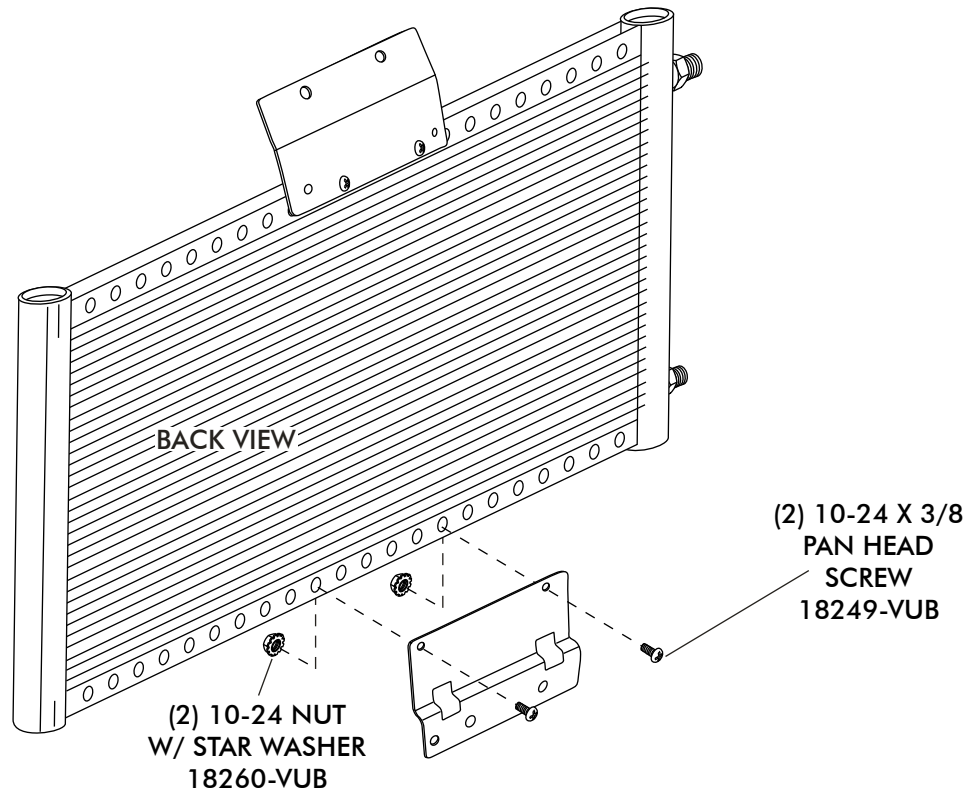
- INSTALL TOP MOUNTING BRACKET ON TO CONDENSER USING (2) 10-24 X 3/8 PAN HEAD SCREWS AND (2) 10-24 NUTS WITH STAR WASHERS. **NOTE: BRACKET MOUNTS THROUGH THE 10TH & 15TH HOLE FROM THE LEFT SIDE OF THE CONDENSER.**





### BOTTOM MOUNTING BRACKET INSTALLATION

- INSTALL BOTTOM MOUNTING BRACKET ON TO CONDENSER USING (2) 10-24 X 3/8 PAN HEAD SCREWS AND (2) 10-24 NUTS WITH STAR WASHERS. **NOTE BRACKET MOUNTS THROUGH THE 10TH & 15TH HOLE FROM THE LEFT SIDE OF THE CONDENSER (BACK VIEW).**



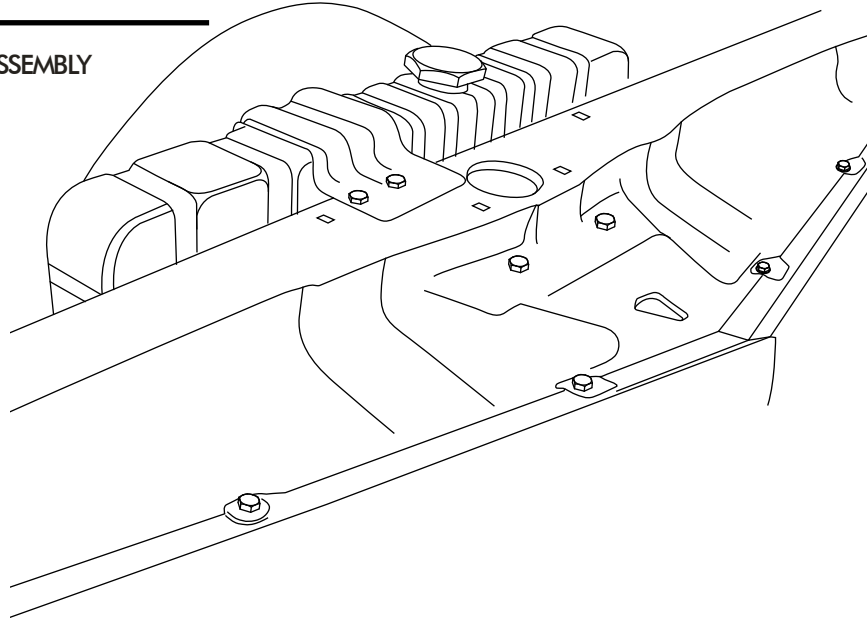


### RADIATOR REMOVAL

- DRAIN RADIATOR, REMOVE UPPER AND LOWER RADIATOR HOSES AND REMOVE RADIATOR.

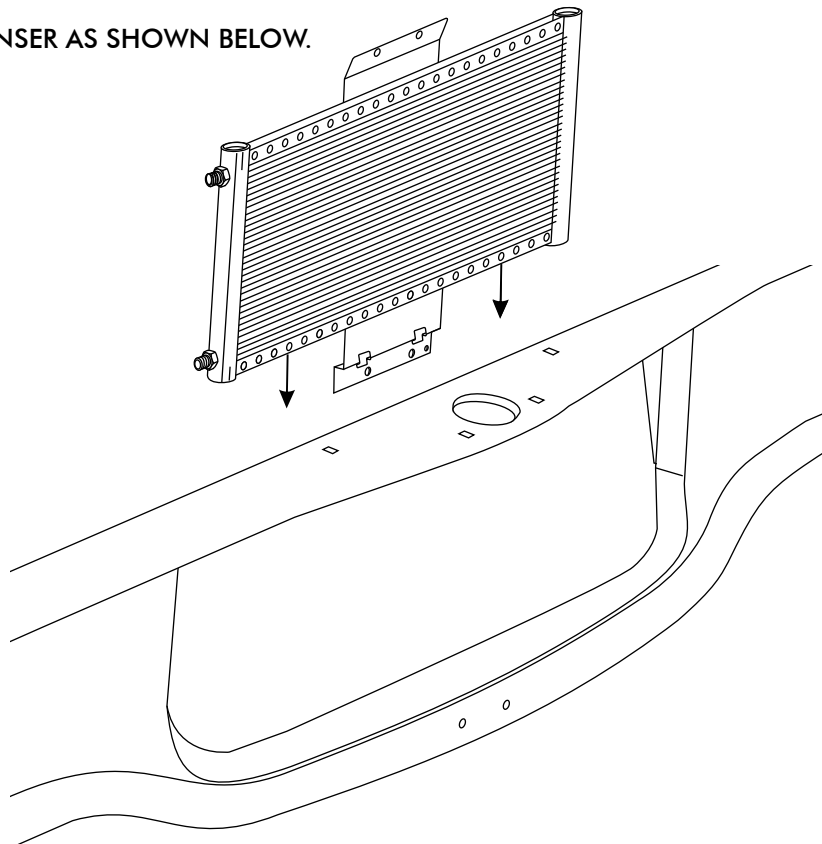
### HOOD LATCH ASSEMBLY

- REMOVE OEM HOOD LATCH ASSEMBLY



### CONDENSER INSTALLATION

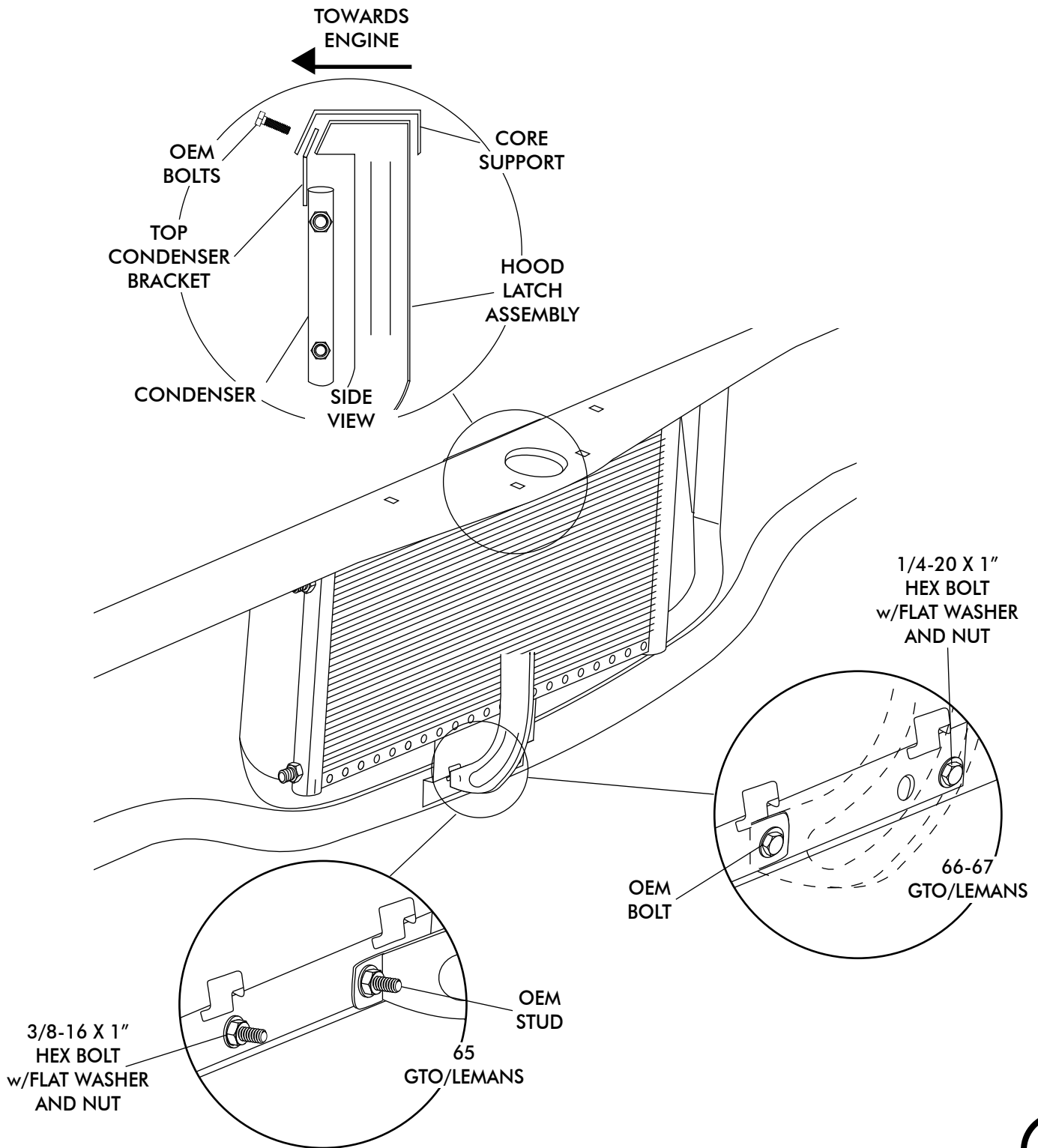
- INSTALL CONDENSER AS SHOWN BELOW.





### CONDENSER INSTALLATION CONT.

- ☐ SECURE THE CONDENSER TO THE CORE SUPPORT AS SHOWN BELOW.





**CONDENSER KIT  
026765**

No.	QTY.	PART No.	DESCRIPTION
1.	1	03767-VUC	14 X 24 PARALLEL FLOW COND.
2.	4	18249-VUB	10-24 X 3/8 PAN HEAD SCREW
3.	4	18260-VUB	10-24 NUT W/STAR WASHER
4.	1	18290-VUB	1/4-20 X 1 HEX BOLT
5.	1	18125-VUB	1/4 FLAT WASHER
6.	1	18136-VUB	1/4-20 HEX NUT
7.	1	18359-VUB	3/8-16 X 1 HEX BOLT
8.	1	18029-VUB	3/8 FLAT WASHER
9.	1	18154-VUB	3/8-16 HEX NUT
10.	1	643053	BRKT 65-67 GTO TOP COND
11.	1	643052	BRKT 64-67 GTO BOTTOM COND

\_\_\_\_\_

\_\_\_\_\_

\_\_\_\_\_

\_\_\_\_\_

\_\_\_\_\_

\_\_\_\_\_

\_\_\_\_\_

\_\_\_\_\_

\_\_\_\_\_

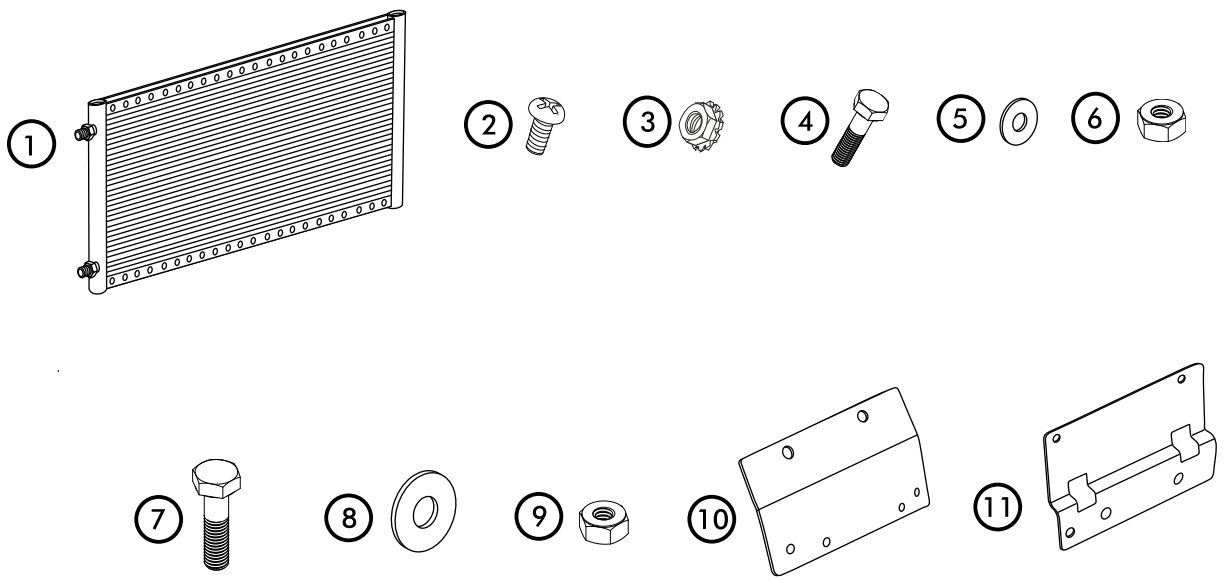
\_\_\_\_\_

\_\_\_\_\_

CHECKED BY: \_\_\_\_\_

PACKED BY: \_\_\_\_\_

DATE: \_\_\_\_\_



**NOTE: IMAGES MAY NOT DEPICT ACTUAL PARTS AND QUANTITIES.  
REFER TO PACKING LIST FOR ACTUAL PARTS AND QUANTITIES**