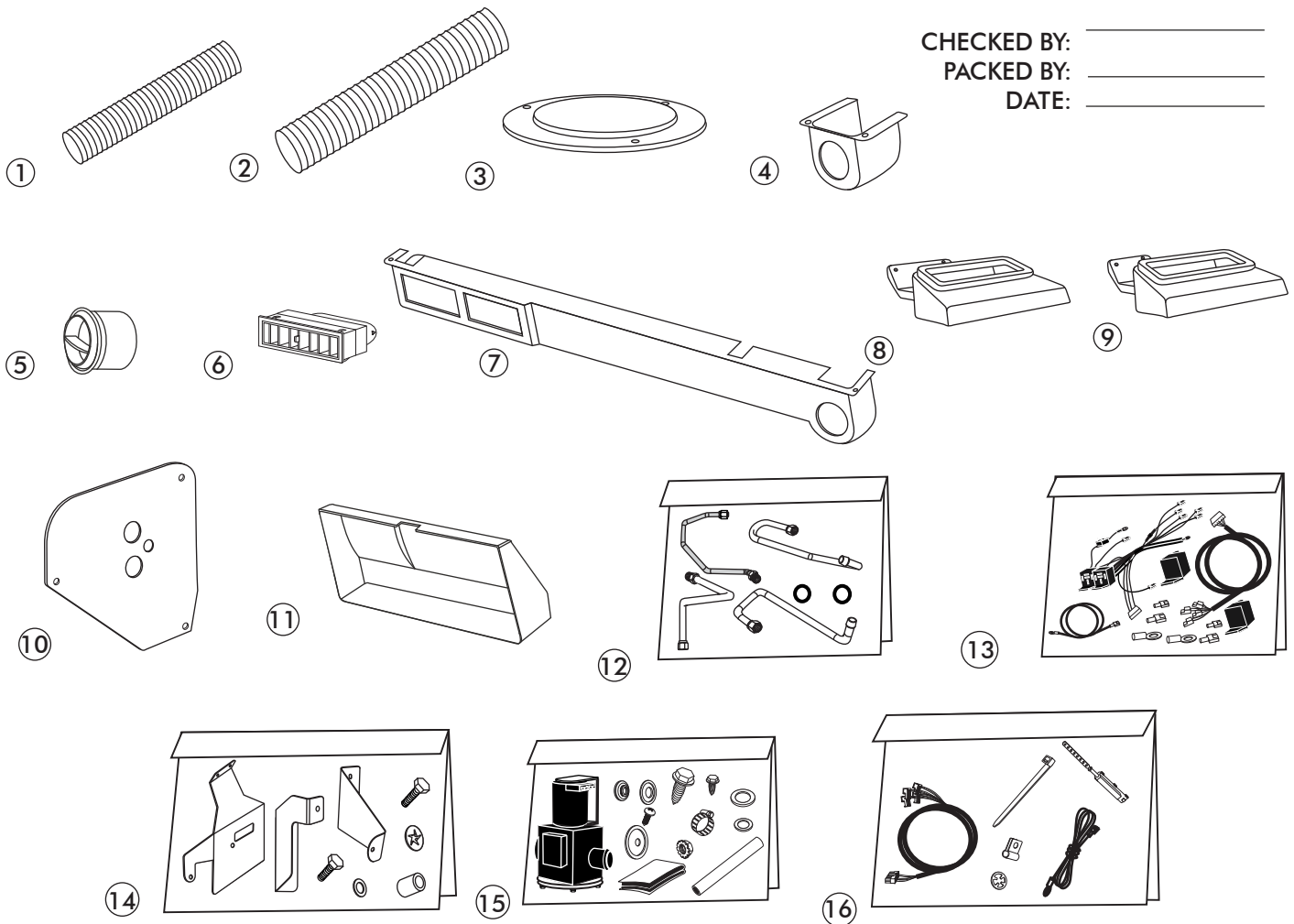




1966-67 NOVA ACCESSORY KIT PACKING LIST

ACCESSORY KIT
784066

No.	QTY.	PART No.	DESCRIPTION	
1.	3	06200-VUE	2" DUCT HOSE	_____
2.	10	06250-VUE	2 1/2" DUCT HOSE	_____
3.	1	62354-VFE	64½-68 MUSTANG/NOVA FRESH AIR CAP	_____
4.	1	592665-PCE	62-67 NOVA DR SIDE LOUVER HOUSING	_____
5.	2	49053-VUL	CHROME BALL LOUVER	_____
6.	2	49056-VUL	LOUVER	_____
7.	1	592668-PCE	62-67 NOVA CENTER/ PS LOUVER BEZEL	_____
8.	1	592967-PCA	66-67 NOVA DRIVER SIDE DEFROST DUCT ASM	_____
9.	1	592968-PCA	66-67 NOVA PASSENGER SIDE DEFROST DUCT ASM	_____
10.	1	642077	62-67 NOVA FIREWALL COVER	_____
11.	1	629963	GLOVE BOX 66-67 NOVA	_____
12.	1	092165	62-67 NOVA EVAP HARDLINE KIT	_____
13.	1	232600-VUA	GEN IV UNIVERSAL WIRING KIT	_____
14.	1	643265	66-67 NOVA EVAP BRKT KIT	_____
15.	1	633163	IK KIT 66-67 NOVA	_____
16.	1	473062	66-67 NOVA CONTROL PANEL KIT	_____



CHECKED BY: _____
 PACKED BY: _____
 DATE: _____