

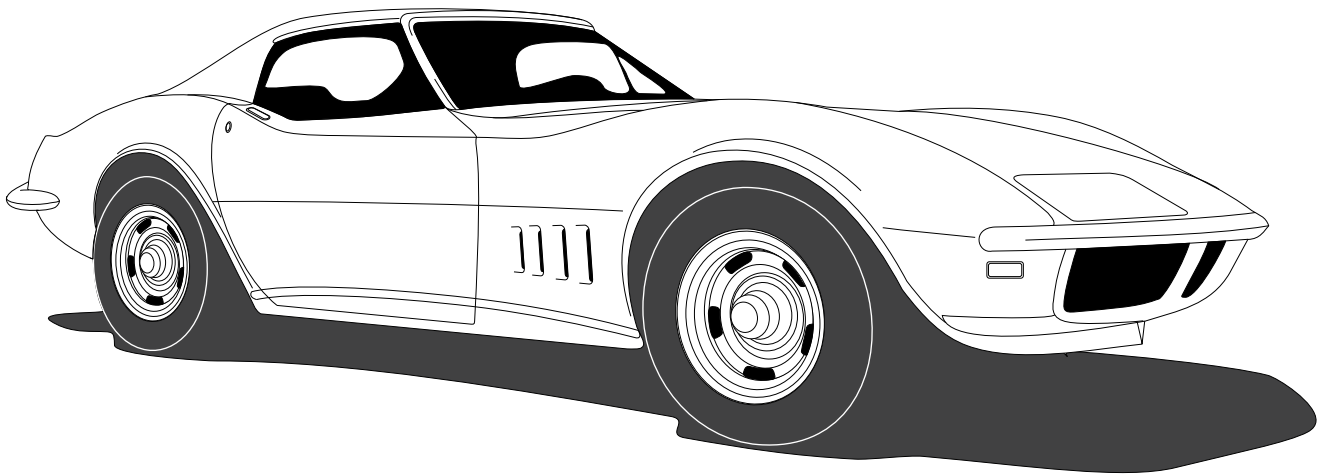


an ISO 9001:2008 Registered Company

# 1968 CORVETTE

CONDENSER KIT

027068



18865 GOLL ST. - SAN ANTONIO, TX. - 78266 ph.210-654-7171 - fax 210-654-3113



## **Table of Contents**

### PAGES

1. COVER
2. TABLE OF CONTENTS
3. PACKING LIST/PARTS DISCLAIMER
4. CONDENSER BRACKET INSTALLATION  
FIGURE 1
5. CONDENSER INSTALLATION  
FIGURE 2
6. CONDENSER KIT PACKING LIST

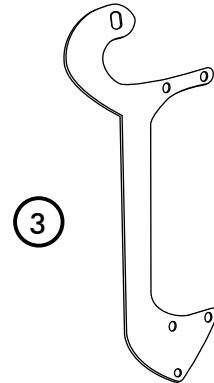
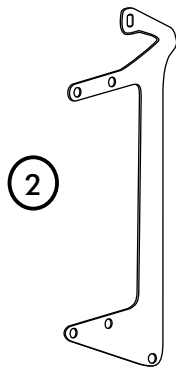
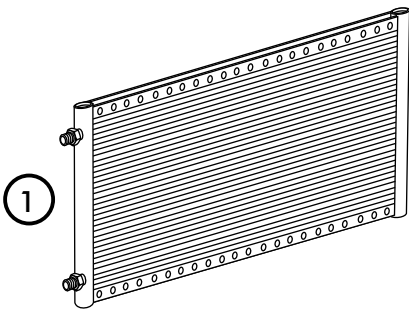


**CONDENSER KIT**  
027068

**CONDENSER KIT PACKING LIST**

No.	QTY.	PART No.	DESCRIPTION
1.	1	03767-VUC	PARALLEL FLOW CONDENSER 14 x 24
2.	1	644077	68 VETTE DS COND BRKT
3.	1	644076	68 VETTE PS COND BRKT
4.	8	18260-VUB	10-24 NUT w/STAR WASHER
5.	8	18249-VUB	10-24 x 3/8" PAN HEAD SCREW

**\*\* BEFORE BEGINNING INSTALLATION OPEN ALL PACKAGES AND CHECK CONTENTS OF SHIPMENT. PLEASE REPORT ANY SHORTAGES DIRECTLY TO VINTAGE AIR WITHIN 15 DAYS. AFTER 15 DAYS, VINTAGE AIR WILL NOT BE RESPONSIBLE FOR MISSING OR DAMAGED ITEMS.**

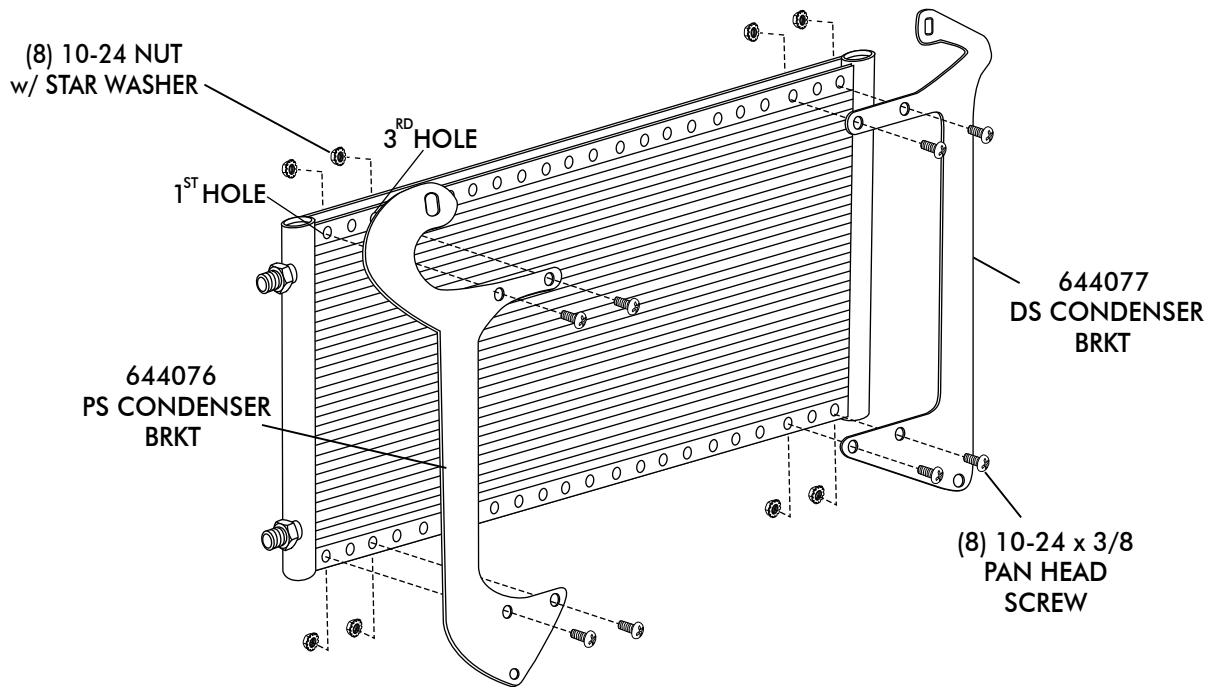




## MOUNTING BRACKET INSTALLATION

- INSTALL CONDENSER MOUNTING BRACKET ON TO CONDENSER USING (8) 10-24 x 3/8 PAN HEAD SCREWS AND (8) 10-24 NUTS WITH STAR WASHERS. SEE FIGURE 1 BELOW.

**NOTE: BRACKETS MOUNT THROUGH THE FIRST AND THIRD HOLE IN THE CONDENSER.**



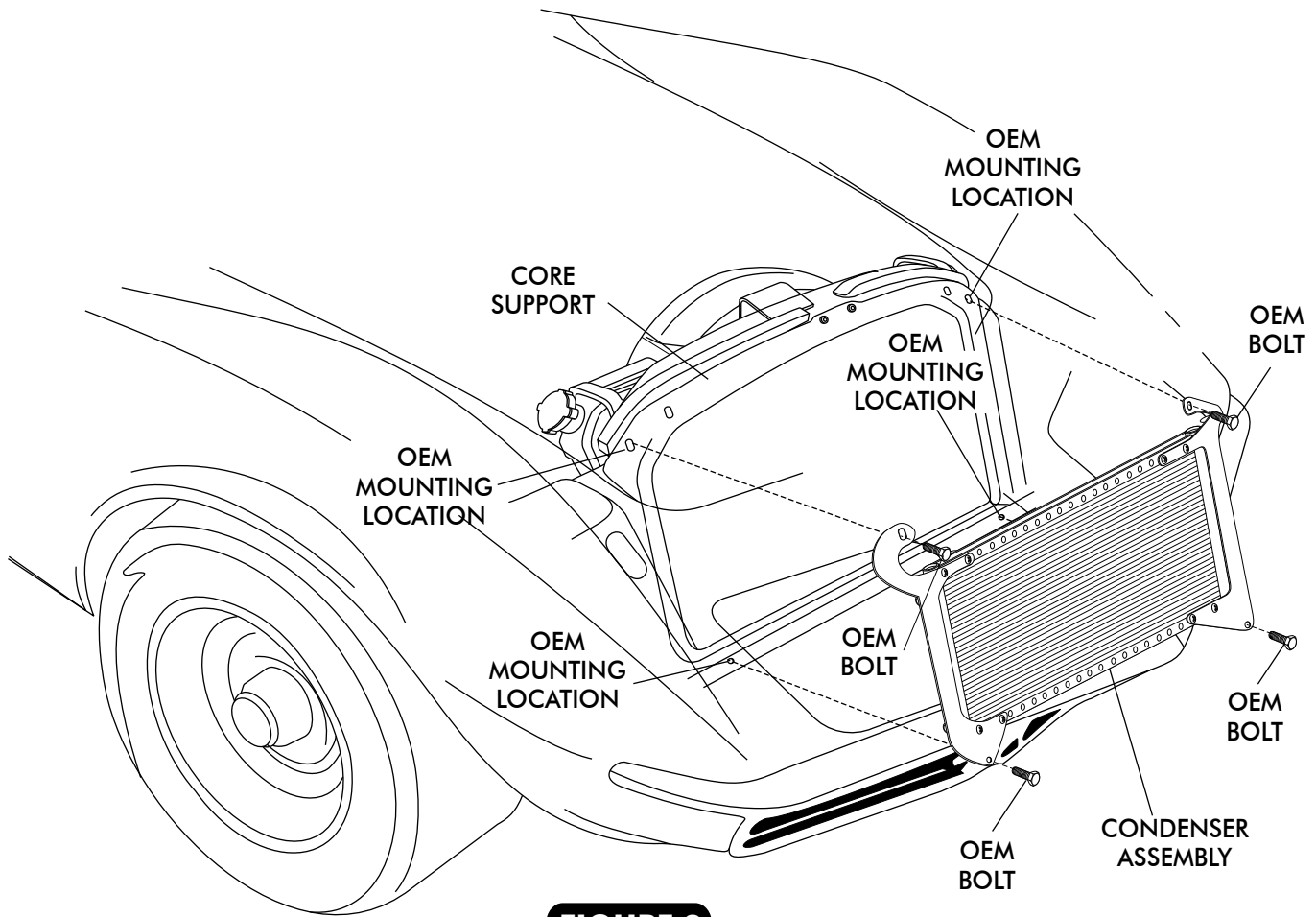
**FIGURE 1**



## ENGINE COMPARTMENT

### CONDENSER INSTALLATION

- REMOVE OEM CONDENSER AND LINES IF EQUIP WITH FACTORY AIR. (RETAIN MOUNTING HARDWARE)
- INSTALL CONDENSER ASSEMBLY BY PLACING THE CONDENSER ON THE FRONT SIDE OF THE CORE SUPPORT AND ALIGN WITH OEM MOUNTING HOLES AS SHOWN IN FIGURE 2.



**FIGURE 2**



### CONDENSER KIT PACKING LIST

**CONDENSER KIT**  
027068

No.	QTY.	PART No.	DESCRIPTION	
1.	1	03767-VUC	PARALLEL FLOW CONDENSER 14 x 24	_____
2.	1	644077	68 VETTE DS COND BRKT	_____
3.	1	644076	68 VETTE PS COND BRKT	_____
4.	8	18260-VUB	10-24 NUT w/STAR WASHER	_____
5.	8	18249-VUB	10-24 x 3/8" PAN HEAD SCREW	_____

CHECKED BY: \_\_\_\_\_  
 PACKED BY: \_\_\_\_\_  
 DATE: \_\_\_\_\_

