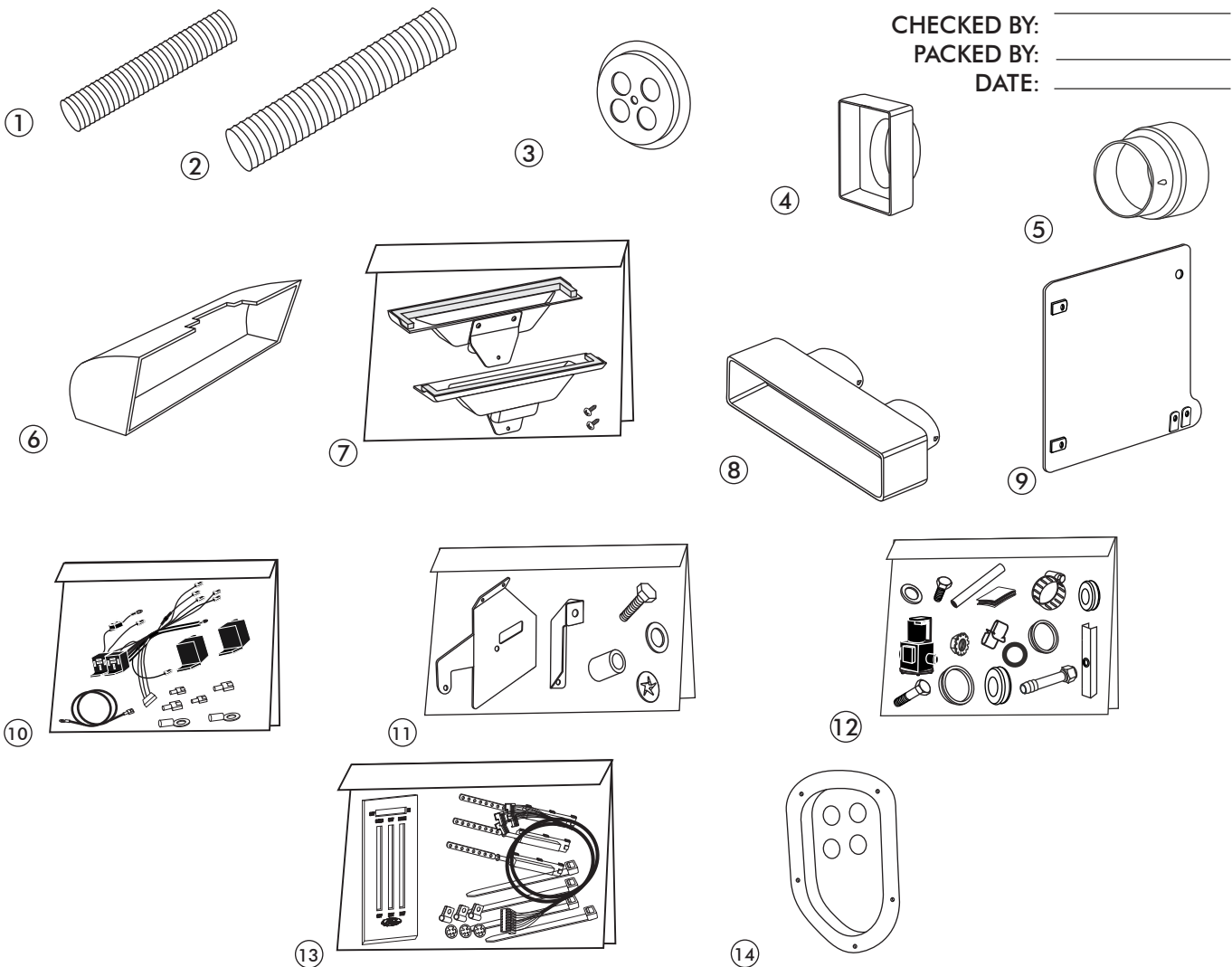




# 1969-72 NOVA w/ AC ACCESSORY KIT PACKING LIST

ACCESSORY KIT  
784177

No.	QTY.	PART No.	DESCRIPTION
1.	3	06200-VUE	2" DUCT HOSE
2.	10	06250-VUE	2 1/2" DUCT HOSE
3.	1	62566-VCE	PLASTIC FRESH AIR CAP
4.	1	629967	HOSE ADAPTER 70-72 NOVA w/ AC DR. SIDE
5.	1	498824	PASSENGER SIDE VENT ADAPTER
6.	1	49069-VCI	GLOVE BOX
7.	1	636676-VCA	67-72 CAMARO/ NOVA DEFROST KIT
8.	1	629968	HOSE ADAPTER 70-72 NOVA w/ AC CENTER LOUVER
9.	1	648228	69-72 NOVA w/ AC FIREWALL COVER ASM
10.	1	232600-VUA	GEN IV UNIVERSAL WIRING KIT
11.	1	643169-FCA	67-72 CAMARO/ NOVA w/ w/o AC BRKT KIT
12.	1	633174	69-72 NOVA w/ AC IK KIT
13.	1	474172	69-72 NOVA w/ AC CONTROL PANEL CONV. KIT
14.	1	626667	66-72 CHEVELLE/ NOVA KICK PANEL FRESH AIR CAP



CHECKED BY: \_\_\_\_\_  
 PACKED BY: \_\_\_\_\_  
 DATE: \_\_\_\_\_