

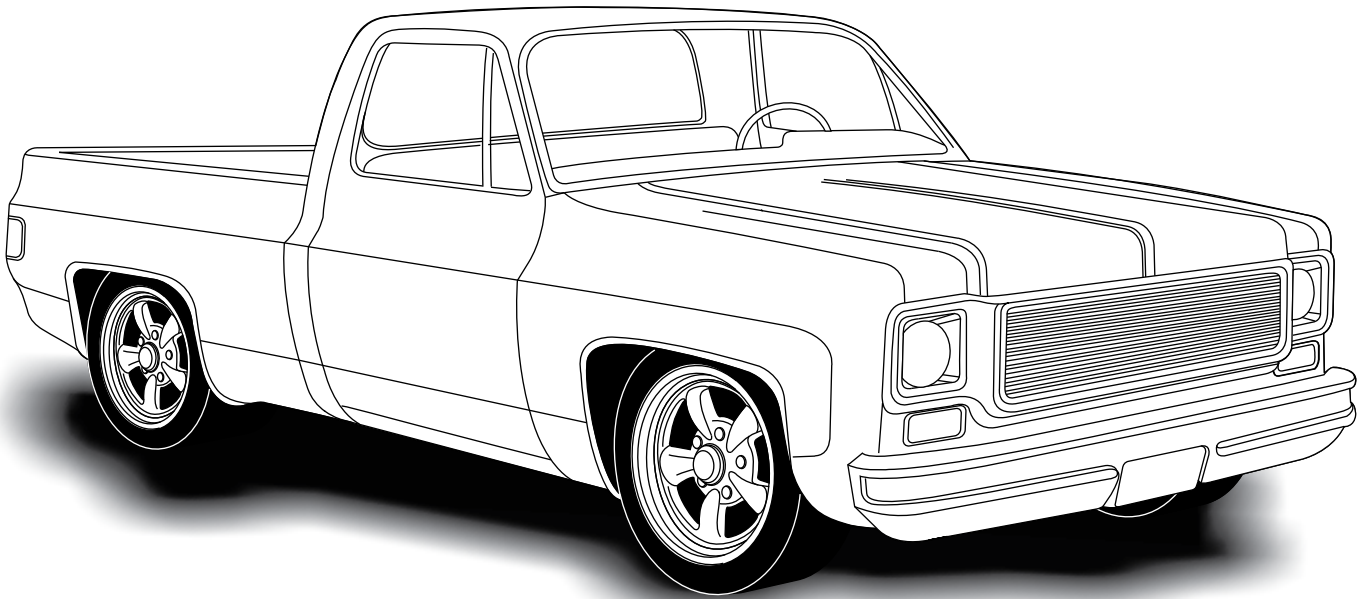


an ISO 9001:2008 Registered Company

# 1973-80 CHEV PICK-UP

CONDENSER WITH DRIER

021573



18865 GOLL ST. - SAN ANTONIO, TX. - 78266 ph.210-654-7171 - fax 210-654-3113



## TABLE OF CONTENTS

### PAGES

1. COVER
2. TABLE OF CONTENTS
3. PACKING LIST/PARTS DISCLAIMER
4. CORE SUPPORT MODIFICATION
5. MOUNTING & DRIER BRACKET INSTALLATION
6. DRIER & HARDLINE INSTALLATION
7. CONDENSER INSTALLATION & HARDLINE INSTALLATION CONT.
8. BINARY SWITCH INSTALLATION
9. TEMPLATE PAGE
10. PACKING LIST

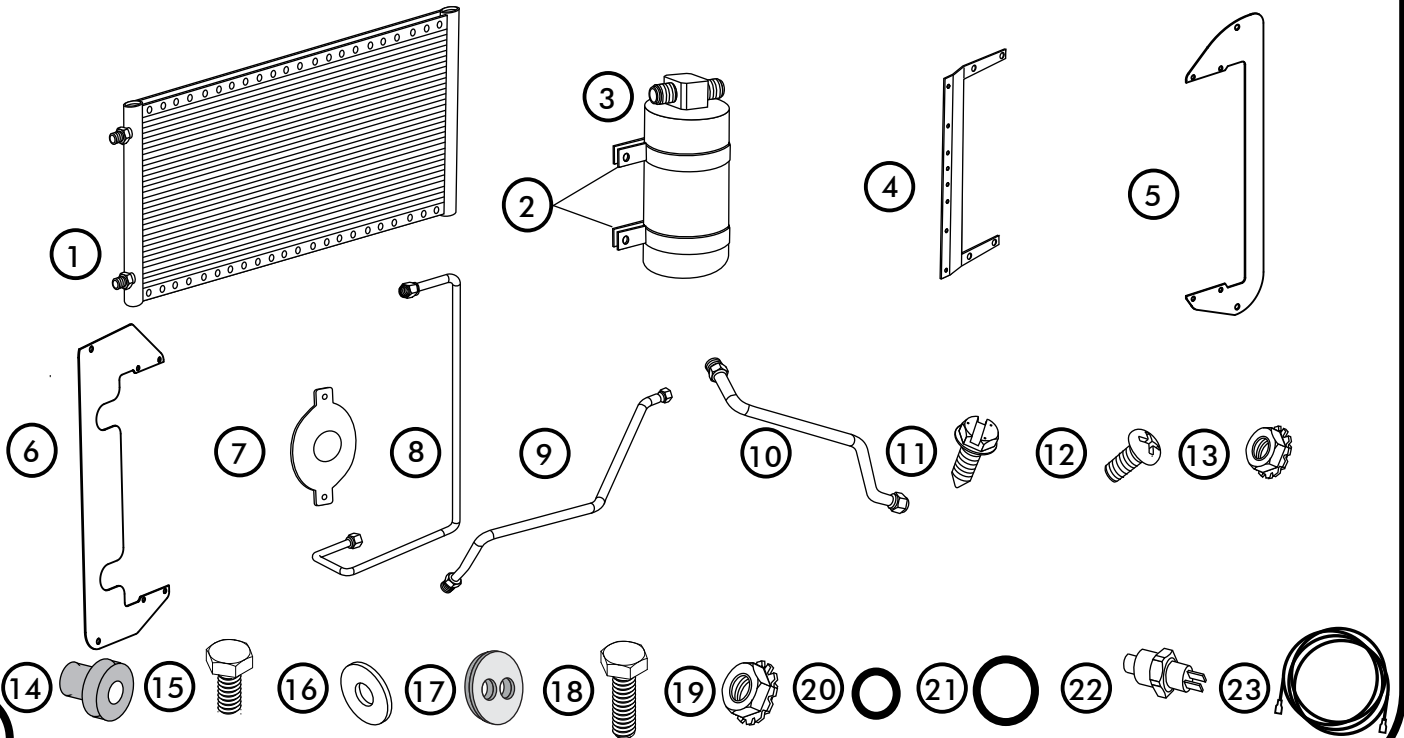


1973-80 CHEV PICK-UP CONDENSER WITH DRIER

CONDENSER KIT  
021573

No.	QTY.	PART No.	DESCRIPTION
1.	1	03767-VUC	14" X 24" PARALLEL FLOW COND.
2.	2	07113-VUB	DRIER CLAMP
3.	1	07321-VUC	DRIER
4.	1	65998-VUB	UNIVERSAL DRIER BRACKET
5.	1	644084	BRKT 73-80 CHEV P-UP COND DRIVER SIDE
6.	1	644085	BRKT 73-80 CHEV P-UP COND PASS SIDE
7.	1	644089	BRKT 73-80 CHEV P-UP CORE SUPPORT COVER
8.	1	091145	HARDLINE 73-80 CHEV P-UP #6 COND/DR
9.	1	091146	HARDLINE 73-80 CHEV P-UP #6 DRIER/CORE SUPPORT
10.	1	091148	HARDLINE 73-80 CHEV P-UP #8 COND
11.	2	18247-VUB	#10 x 1/2" HEX SCREW
12.	12	18249-VUB	10-24 X 3/8" PAN HEAD SCREW
13.	12	18260-VUB	10-24 NUT W/STAR WASHER
14.	4	18102-VUB	1/4-20 WELL NUT
15.	4	18290-VUB	1/4-20 X 1" HEX BOLT
16.	4	18125-VUB	1/4 FLAT WASHER
17.	1	33134-VUI	2- HOLE GROMMET
18.	2	18287-VUB	1/4-20 X 1/2" HEX BOLT
19.	2	18152-VUB	1/4-20 HEX NUT W/STAR WASHER
20.	3	33857-VUF	#6 O-RING
21.	1	33858-VUF	#8 O-RING
22.	1	11079-VUS	MALE BINARY SWITCH
23.	1	23135-VUW	COMPRESSOR LEAD

**BEFORE BEGINNING INSTALLATION OPEN ALL PACKAGES AND CHECK CONTENTS OF SHIPMENT PLEASE REPORT ANY SHORTAGES DIRECTLY TO VINTAGE AIR WITHIN 15 DAYS. AFTER 15 DAYS, VINTAGE AIR WILL NOT BE RESPONSIBLE FOR MISSING OR DAMAGED ITEMS.**





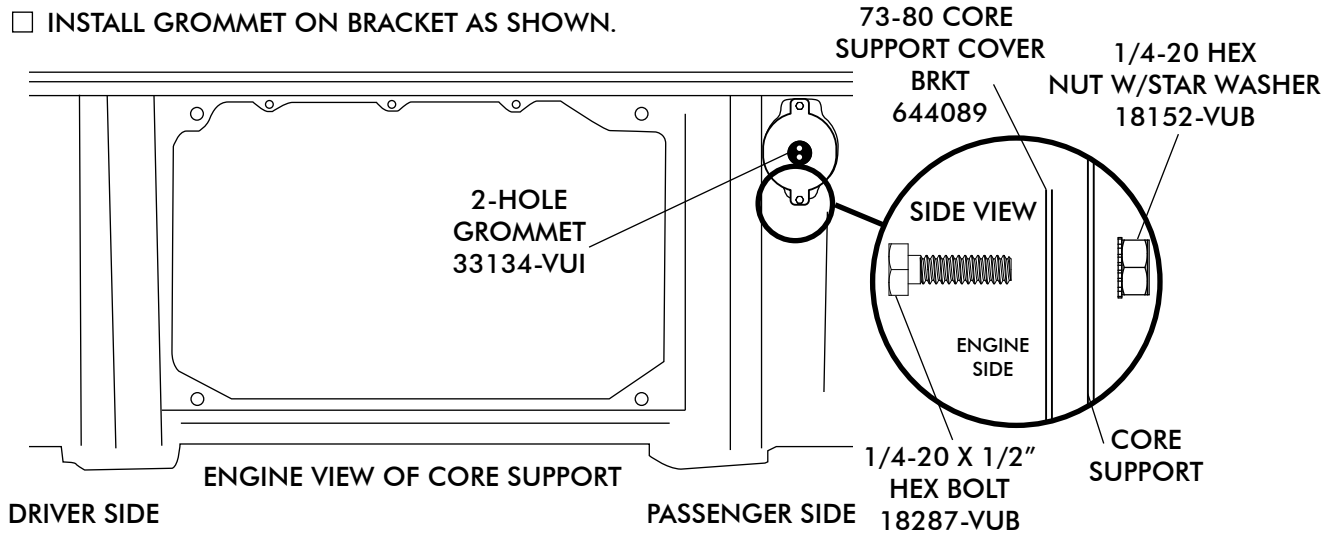
**FACTORY AIR TRUCKS ONLY**

- REMOVE HOOD LATCH ASSEMBLY. (RETAIN)
- REMOVE OEM CONDENSER ASSEMBLY, DRIER, BRACKET, LINE, ETC.

**CORE SUPPORT MODIFICATION**

w/AC

- INSTALL CORE SUPPORT COVER BRACKET ON THE BACK SIDE OF CORE SUPPORT USING 1/4-20 X 1/2" HEX BOLT AND 1/4-20 HEX NUT W/STAR WASHER.
- INSTALL GROMMET ON BRACKET AS SHOWN.



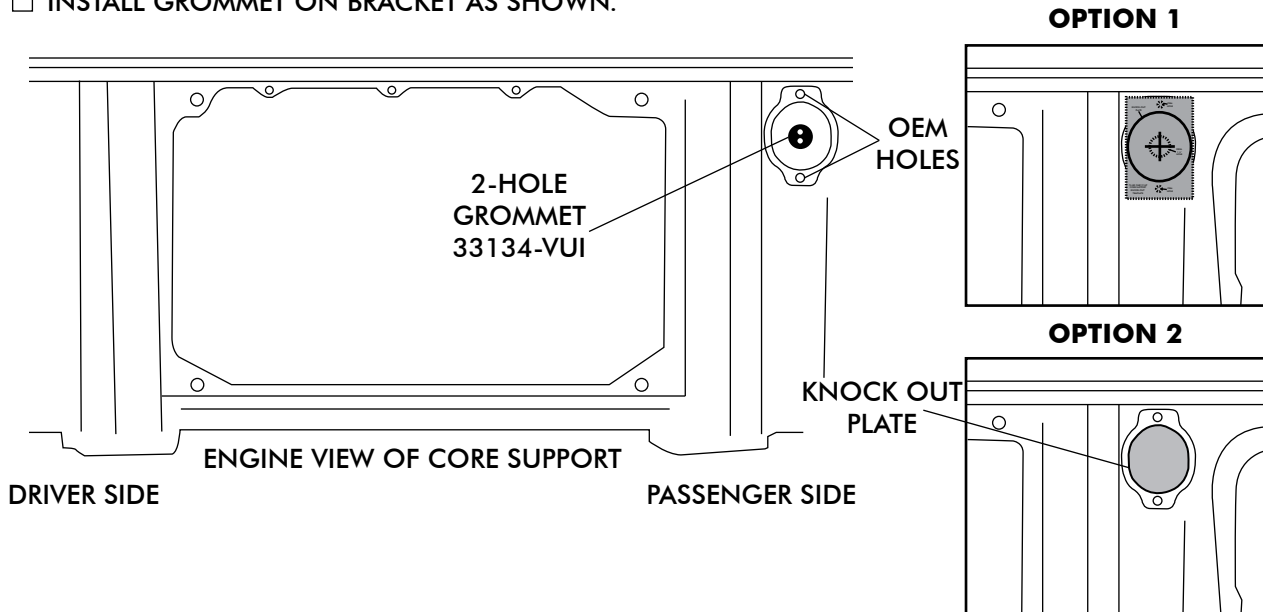
w/o AC

**OPTION 1**

- USING TEMPLATE PROVIDED ON PAGE 9, DRILL 1-1/4" HOLE IN KNOCK-OUT PLATE.
- INSTALL GROMMET AS SHOWN.

**OPTION 2**

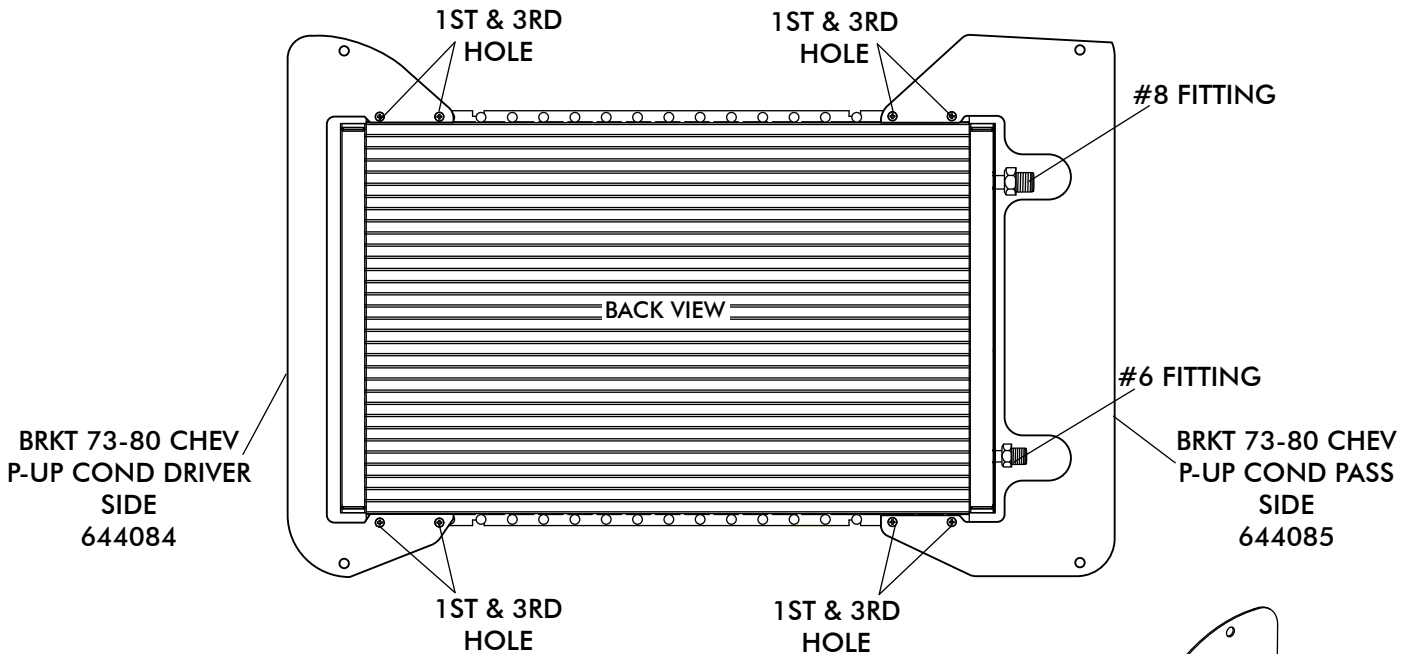
- KNOCK OUT THE KNOCK-OUT PLATE AND INSTALL CORE SUPPORT COVER BRACKET ON THE BACK SIDE OF CORE SUPPORT USING 1/4-20 X 1/2" HEX BOLT AND 1/4-20 HEX NUT W/STAR WASHER.
- INSTALL GROMMET ON BRACKET AS SHOWN.





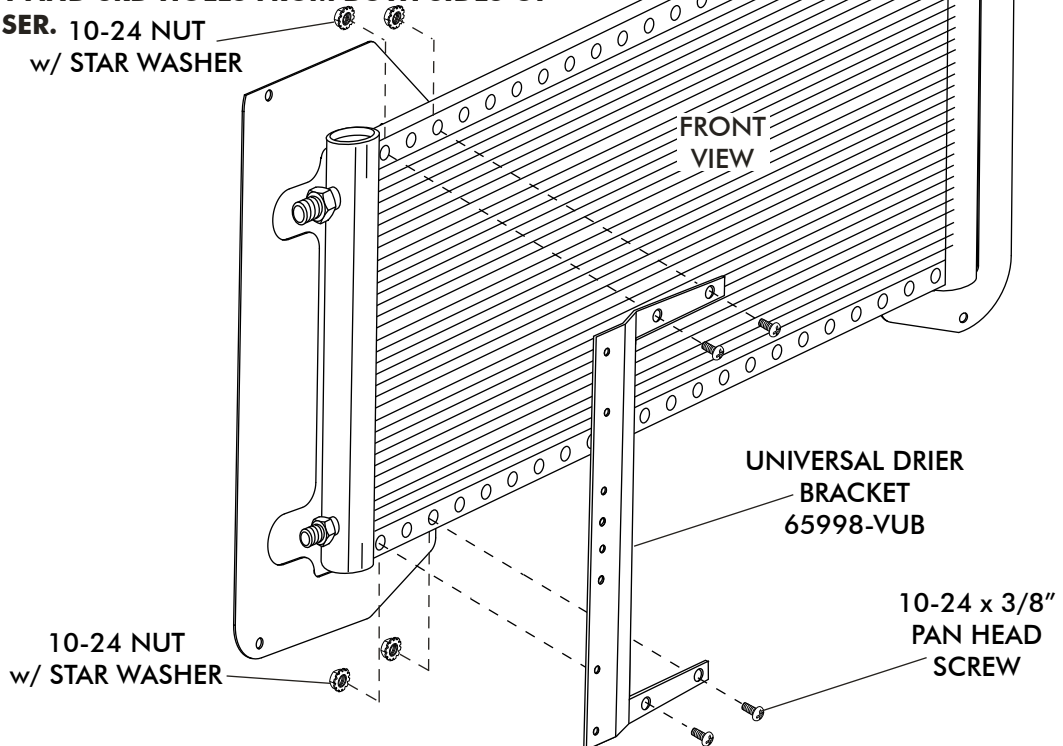
**MOUNTING BRACKET INSTALLATION**

- INSTALL MOUNTING BRACKETS ON TO CONDENSER USING 10-24 x 3/8" PAN HEAD SCREWS AND 10-24 NUTS w/STAR WASHERS AS SHOWN BELOW. MOUNTING BRACKETS MOUNT THROUGHT THE 1ST AND 3RD HOLES ON THE TOP AND BOTTOM OF CONDENSER.



**DRIER BRACKET INSTALLATION**

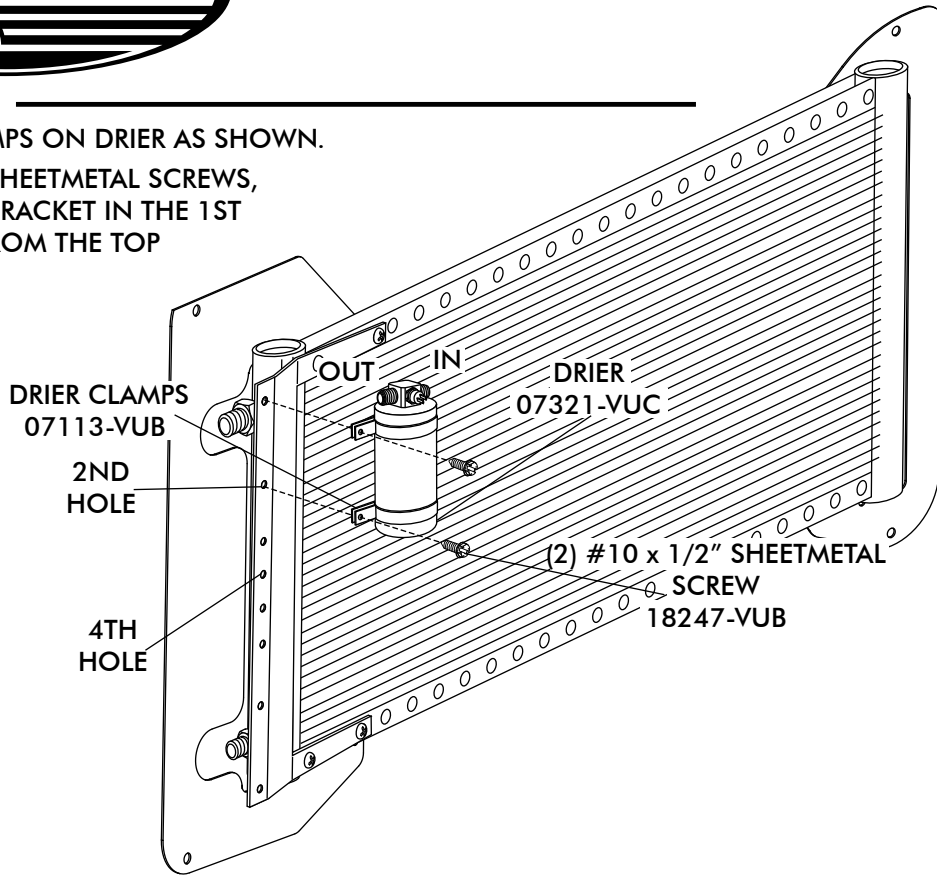
- INSTALL UNIVERSAL DRIER BRACKET ON TO CONDENSER USING 10-24 X 3/8" PAN HEAD SCREWS AND 10-24 NUTS WITH STAR WASHERS. **NOTE: BRACKET MOUNTS THROUGH 1ST AND 3RD HOLES FROM BOTH SIDES OF THE CONDENSER.**





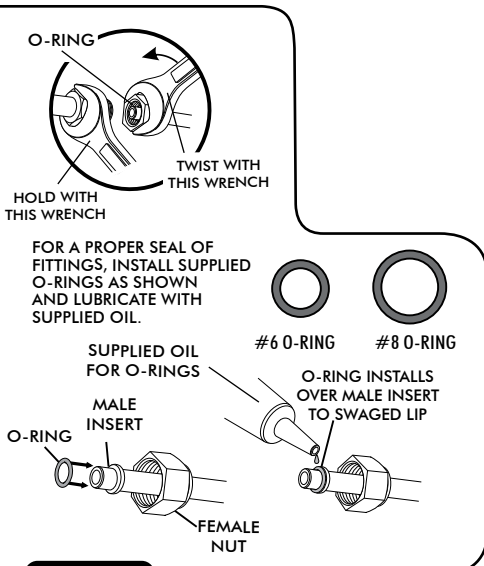
**DRIER INSTALLATION**

- INSTALL DRIER CLAMPS ON DRIER AS SHOWN.
- USING #10 x 1/2" SHEETMETAL SCREWS, INSTALL DRIER ON BRACKET IN THE 1ST AND 2ND HOLES FROM THE TOP AS SHOWN.

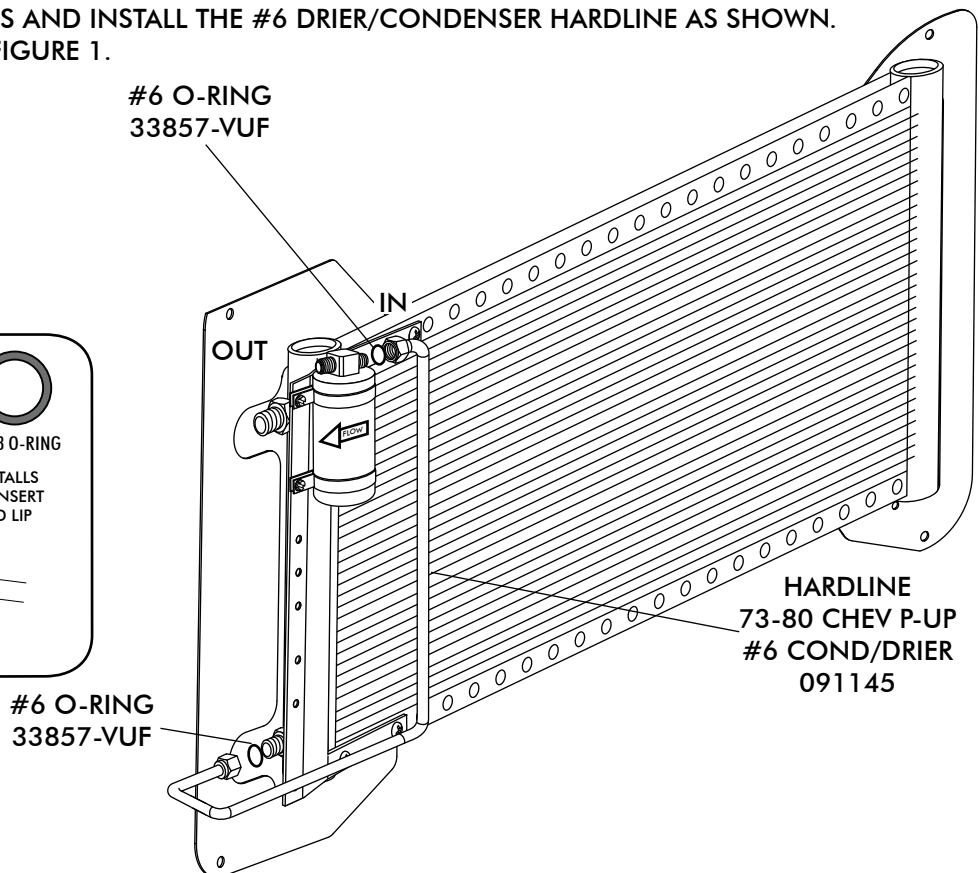


**HARDLINE INSTALLATION**

- LUBRICATE 2-#6 O-RINGS AND INSTALL THE #6 DRIER/CONDENSER HARDLINE AS SHOWN. TIGHTEN FITTINGS. SEE FIGURE 1.



**FIGURE 1**



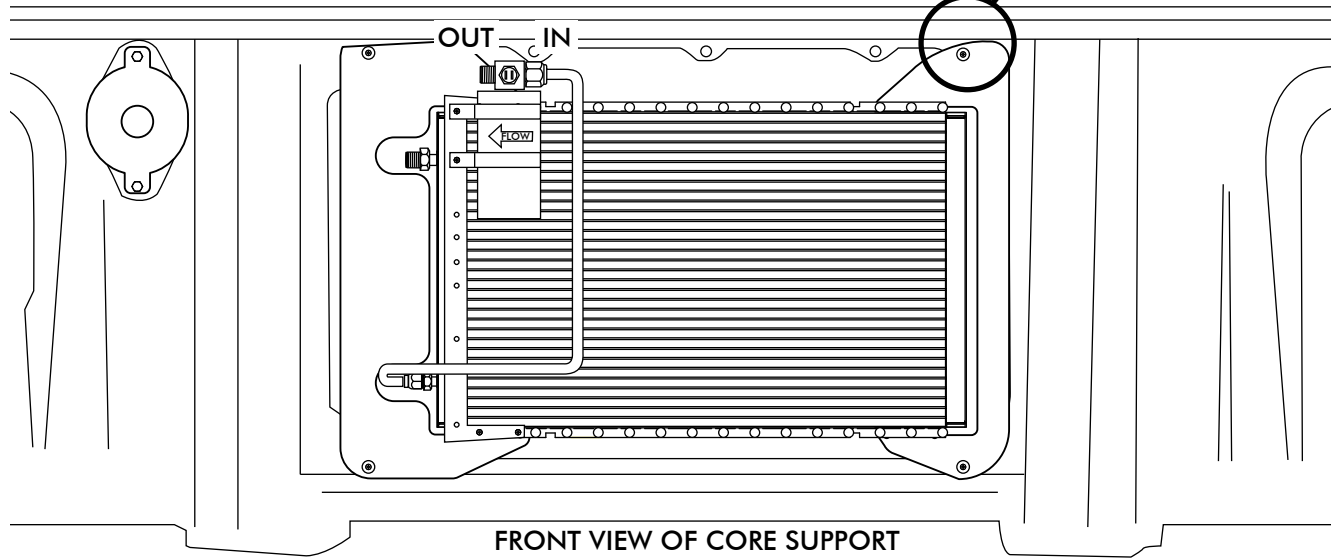
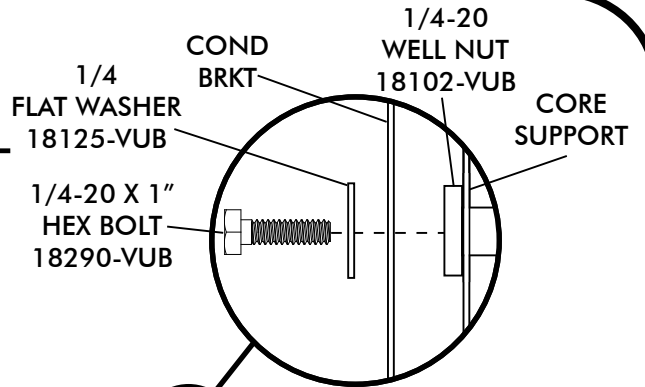
#6 O-RING  
33857-VUF

HARDLINE  
73-80 CHEV P-UP  
#6 COND/DRIER  
091145



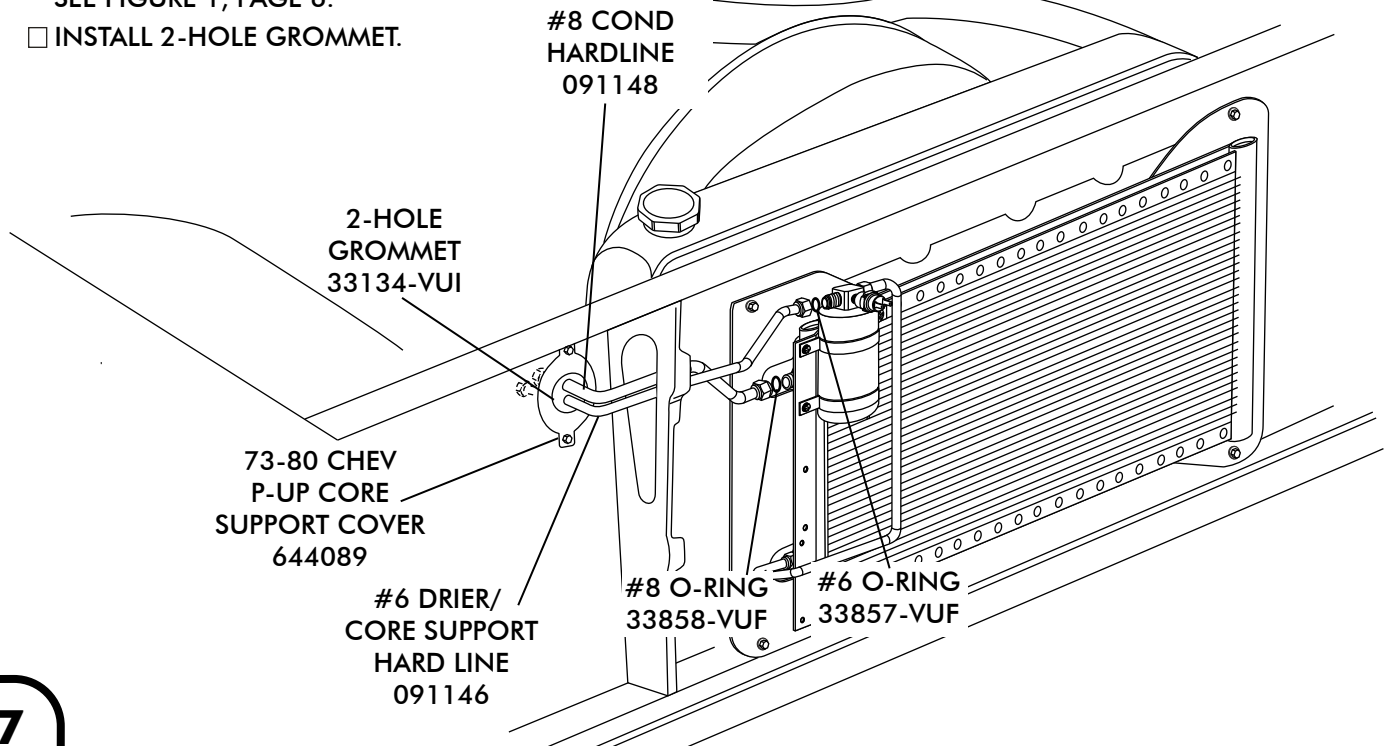
### CONDENSER INSTALLATION

- INSTALL (4) 1/4-20 WELL NUTS AS SHOWN.
- INSTALL CONDENSER W/BRACKETS IN FRONT OF CORE SUPPORT AS SHOWN BELOW.



### HARDLINE INSTALLATION CONT.

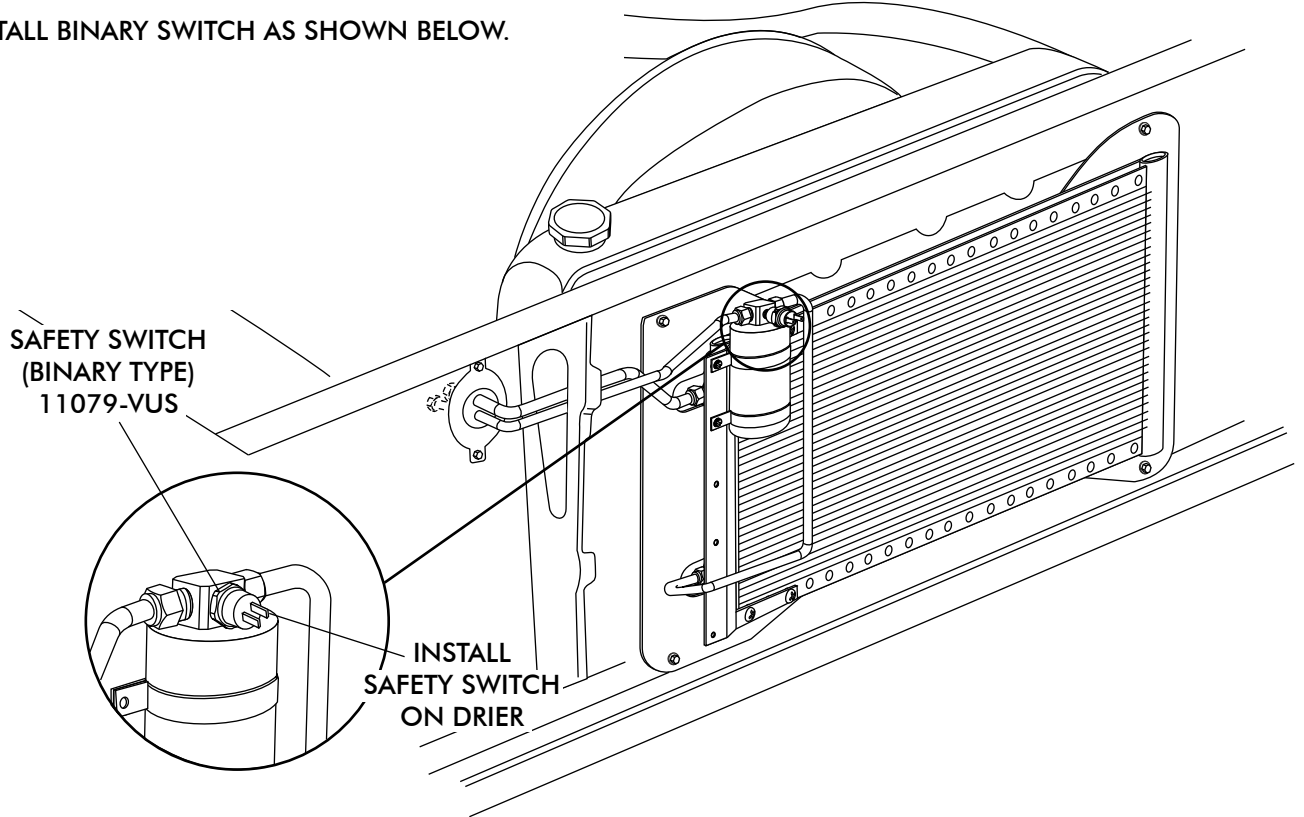
- LUBRICATE #6 AND #8 O-RINGS AND INSTALL HARDLINES AS SHOWN. TIGHTEN FITTINGS. SEE FIGURE 1, PAGE 6.
- INSTALL 2-HOLE GROMMET.

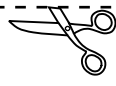
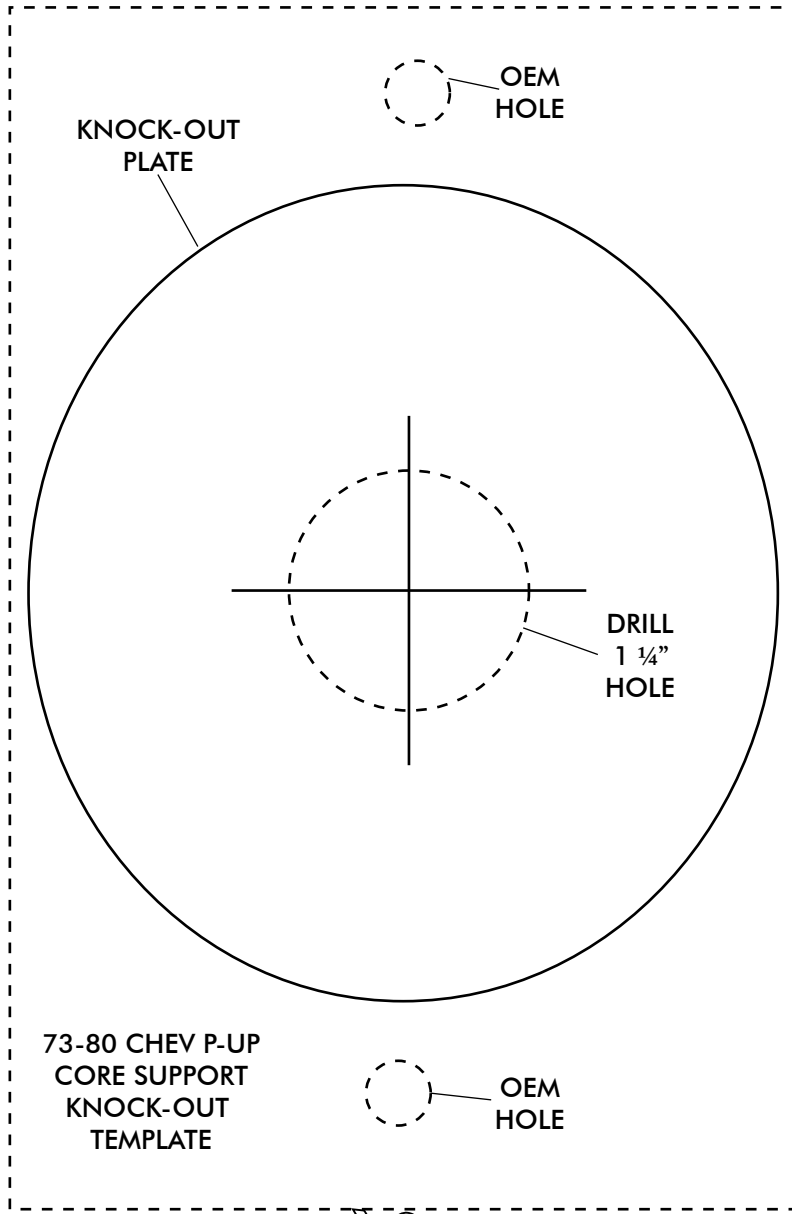




## BINARY SWITCH INSTALLATION

□ INSTALL BINARY SWITCH AS SHOWN BELOW.





CUT ALONG  
DOTTED LINE



1973-80 CHEV PICK-UP CONDENSER WITH DRIER

CONDENSER KIT  
021573

No.	QTY.	PART No.	DESCRIPTION
1.	1	03767-VUC	14" X 24" PARALLEL FLOW COND.
2.	2	07113-VUB	DRIER CLAMP
3.	1	07321-VUC	DRIER
4.	1	65998-VUB	UNIVERSAL DRIER BRACKET
5.	1	644084	BRKT 73-80 CHEV P-UP COND DRIVER SIDE
6.	1	644085	BRKT 73-80 CHEV P-UP COND PASS SIDE
7.	1	644089	BRKT 73-80 CHEV P-UP CORE SUPPORT COVER
8.	1	091145	HARDLINE 73-80 CHEV P-UP #6 COND/DR
9.	1	091146	HARDLINE 73-80 CHEV P-UP #6 DRIER/CORE SUPPORT
10.	1	091148	HARDLINE 73-80 CHEV P-UP #8 COND
11.	2	18247-VUB	#10 x 1/2" HEX SCREW
12.	12	18249-VUB	10-24 X 3/8" PAN HEAD SCREW
13.	12	18260-VUB	10-24 NUT W/STAR WASHER
14.	4	18102-VUB	1/4-20 WELL NUT
15.	4	18290-VUB	1/4-20 X 1" HEX BOLT
16.	4	18125-VUB	1/4 FLAT WASHER
17.	1	33134-VUI	2- HOLE GROMMET
18.	2	18287-VUB	1/4-20 X 1/2" HEX BOLT
19.	2	18152-VUB	1/4-20 HEX NUT W/STAR WASHER
20.	3	33857-VUF	#6 O-RING
21.	1	33858-VUF	#8 O-RING
22.	1	11079-VUS	MALE BINARY SWITCH
23.	1	23135-VUW	COMPRESSOR LEAD

CHECKED BY: \_\_\_\_\_  
 PACKED BY: \_\_\_\_\_  
 DATE: \_\_\_\_\_

