

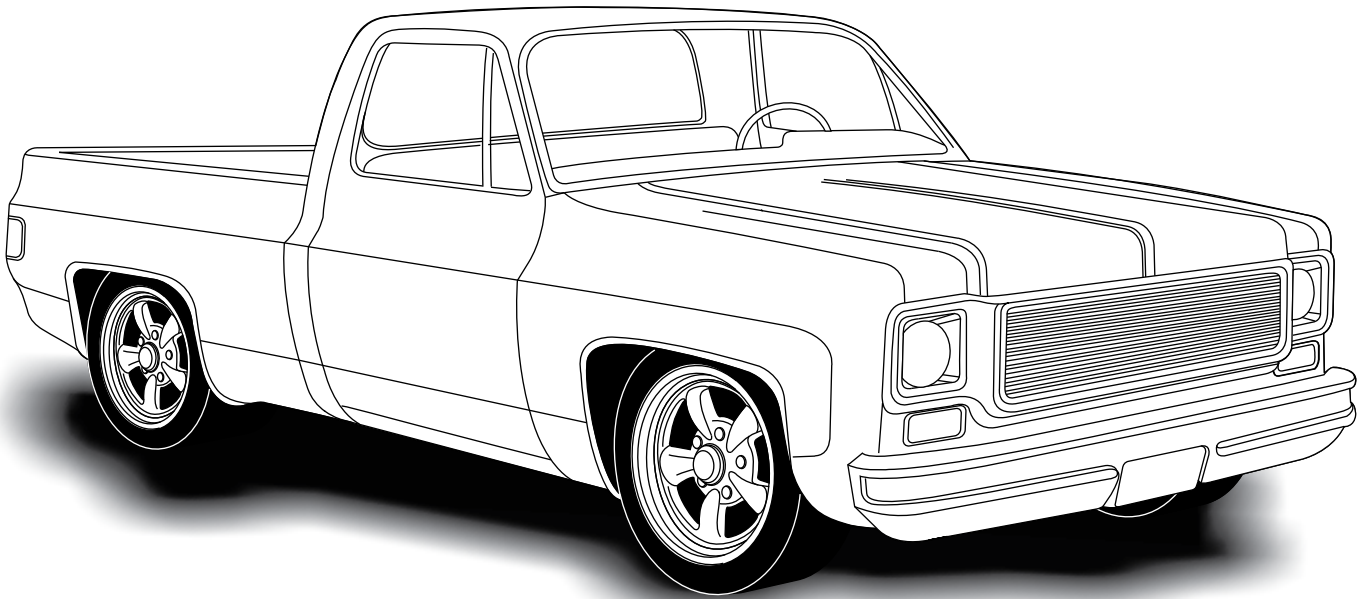


an ISO 9001:2008 Registered Company

# 1973-80 CHEV PICK-UP

CONDENSER KIT

026073



18865 GOLL ST. - SAN ANTONIO, TX. - 78266 ph.210-654-7171 - fax 210-654-3113



## TABLE OF CONTENTS

### PAGES

1. COVER
2. TABLE OF CONTENTS
3. PACKING LIST/PARTS DISCLAIMER
4. MOUNTING BRACKET & CONDENSER INSTALLATION
5. PACKING LIST

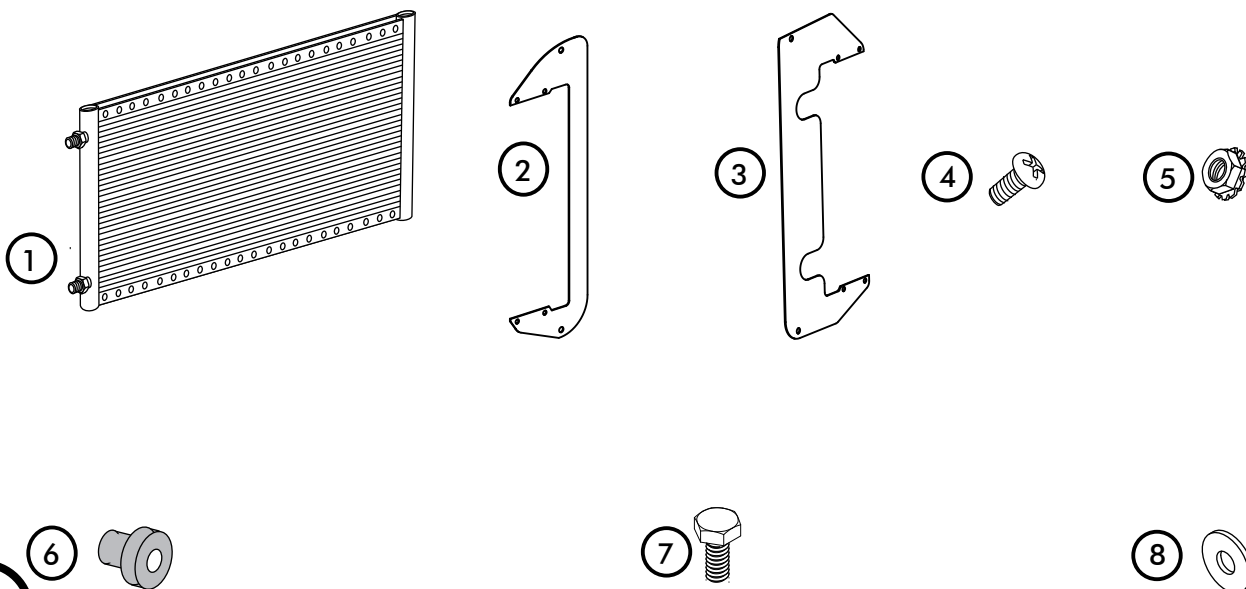


**1973-80 CHEV PICK-UP CONDENSER KIT**

**CONDENSER KIT  
026073**

No.	QTY.	PART No.	DESCRIPTION
1.	1	03767-VUC	14" X 24" PARALLEL FLOW COND.
2.	1	644084	BRKT 73-80 CHEV P-UP COND DRIVER SIDE
3.	1	644085	BRKT 73-80 CHEV P-UP COND PASS SIDE
4.	8	18249-VUB	10-24 X 3/8" PAN HEAD SCREW
5.	8	18260-VUB	10-24 NUT W/STAR WASHER
6.	4	18102-VUB	1/4-20 WELL NUT
7.	4	18290-VUB	1/4-20 X 1" HEX BOLT
8.	4	18125-VUB	1/4 FLAT WASHER

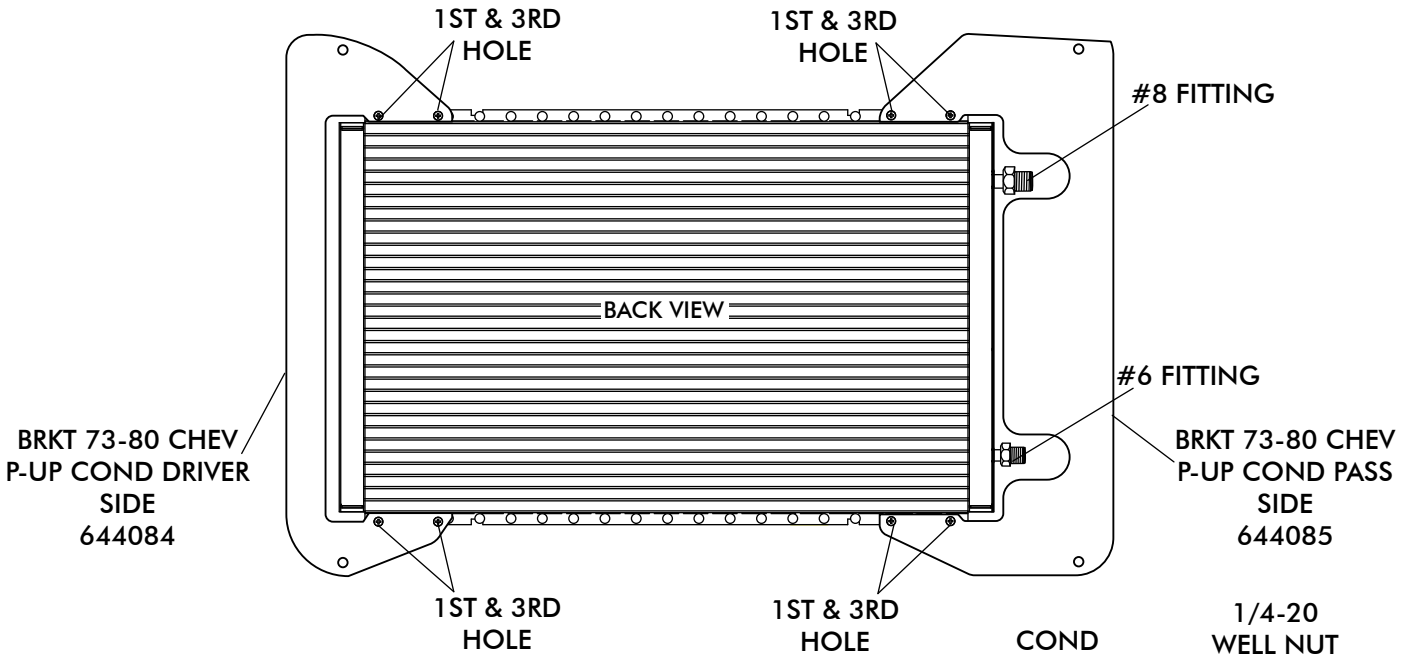
**BEFORE BEGINNING INSTALLATION OPEN ALL PACKAGES AND CHECK CONTENTS OF SHIPMENT PLEASE REPORT ANY SHORTAGES DIRECTLY TO VINTAGE AIR WITHIN 15 DAYS. AFTER 15 DAYS, VINTAGE AIR WILL NOT BE RESPONSIBLE FOR MISSING OR DAMAGED ITEMS.**





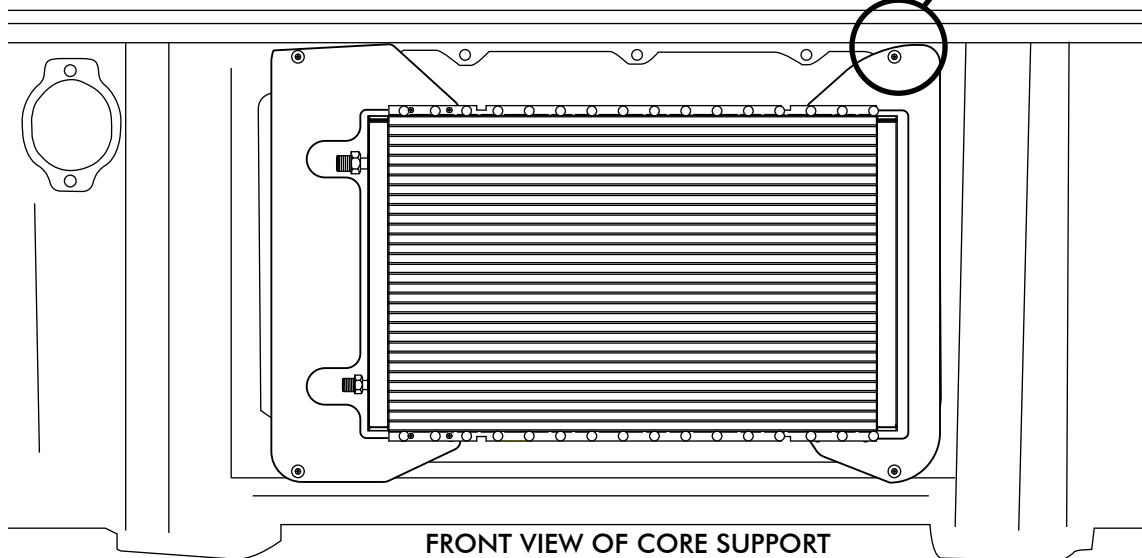
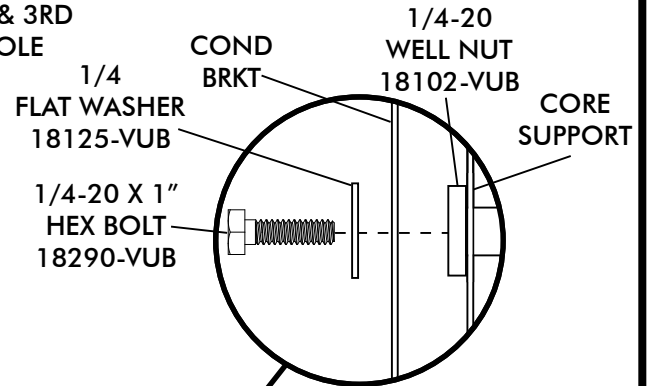
**MOUNTING BRACKET INSTALLATION**

- INSTALL MOUNTING BRACKETS ON TO CONDENSER USING 10-24 x 3/8" PAN HEAD SCREWS AND 10-24 NUTS w/STAR WASHERS AS SHOWN BELOW. MOUNTING BRACKETS MOUNT THROUGH THE 1ST AND 3RD HOLES ON THE TOP AND BOTTOM OF CONDENSER.



**CONDENSER INSTALLATION**

- INSTALL (4) 1/4-20 WELL NUTS AS SHOWN.
- INSTALL CONDENSER W/BRACKETS IN FRONT OF CORE SUPPORT AS SHOWN BELOW.





**1973-80 CHEV PICK-UP CONDENSER KIT**

**CONDENSER KIT  
026073**

No.	QTY.	PART No.	DESCRIPTION	
1.	1	03767-VUC	14" X 24" PARALLEL FLOW COND.	
2.	1	644084	BRKT 73-80 CHEV P-UP COND DRIVER SIDE	_____
3.	1	644085	BRKT 73-80 CHEV P-UP COND PASS SIDE	_____
4.	8	18249-VUB	10-24 X 3/8" PAN HEAD SCREW	_____
5.	8	18260-VUB	10-24 NUT W/STAR WASHER	_____
6.	4	18102-VUB	1/4-20 WELL NUT	_____
7.	4	18290-VUB	1/4-20 X 1" HEX BOLT	_____
8.	4	18125-VUB	1/4 FLAT WASHER	_____

CHECKED BY: \_\_\_\_\_  
 PACKED BY: \_\_\_\_\_  
 DATE: \_\_\_\_\_

