



Modified Hose Kit (Sure Fit) Installation Information

Important Notice—Please Read

This hose kit contains beadlock style fittings (See Figure 1a, below) which **MUST** be crimped with an automotive air conditioning beadlock hose crimping tool (See Figure 1, below). Crimping these hoses with any other crimping tool will damage fittings and hoses, and will void warranty.

Beadlock Crimping Tool

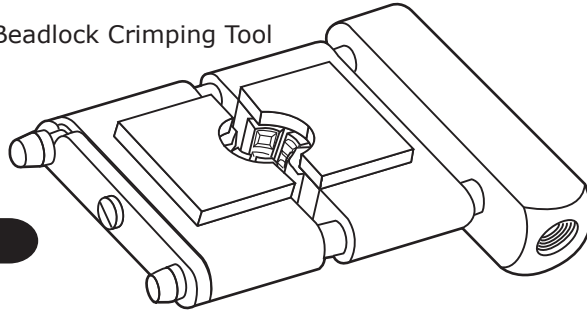
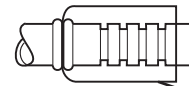


Figure 1



Beadlock Fitting

Figure 1a

Installation Instructions

1. Pre-fit the evaporator unit and refrigeration lines. The evaporator unit must be installed in the vehicle.
NOTE: During the pre-fit, there is no need to wire the unit, install duct hoses or connect any cables.
2. Route the hoses and clamp them exactly as they will be after the final installation.
3. Connect the hoses to the evaporator and mark the hoses and fittings (See Figure 2, below).
4. Route the hoses to and from the condenser and drier using the same procedure.
5. Remove all refrigeration lines from the vehicle. **NOTE: In some instances, removal of the evaporator will be necessary to facilitate removal of lines.**
6. Crimp A/C hose fittings (See Figure 3, below). **NOTE: Hoses and fittings can also be taken to a local A/C service center or shipped to Vintage Air for crimping.**
7. After crimping fittings, crimp quality may be verified using crimp measurement calipers to measure the crimp diameter (See Figures 5 and 6, below). Three measurements should be taken around the center crimp ring, as close as possible to the center of the crimp imprint. The average of the three measurements should be within +/- .012" of the specifications listed in Figure 4, below. **NOTE: Crimp measurement calipers are required for this type of measurement. These can be purchased from ATCO. Standard calipers will not work for this application. See www.atcoproductsinc.com for more information.**

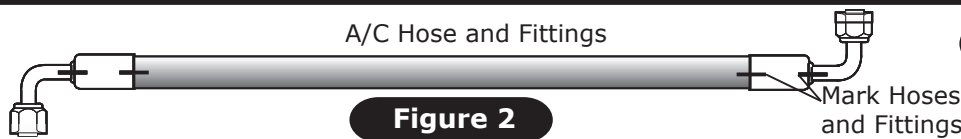
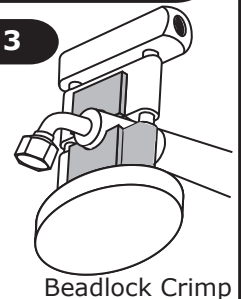


Figure 2

Figure 3



Beadlock Crimp

Crimp Specifications for Beadlock Fittings (Using Standard Barrier Hose)

Fitting Size	Compressed Size (Inches)
#6	.655"
#8	.830"
#10	.897"

* Average of three measurements taken around center crimp ring, as close as possible to center of crimp imprint, should be within +/- .012" of the above specifications.

Figure 4

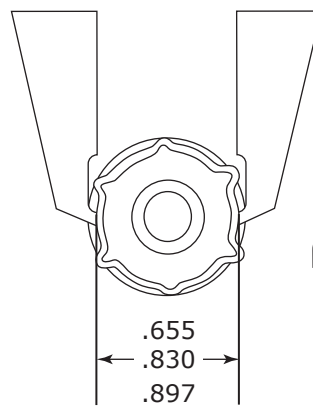


Figure 5

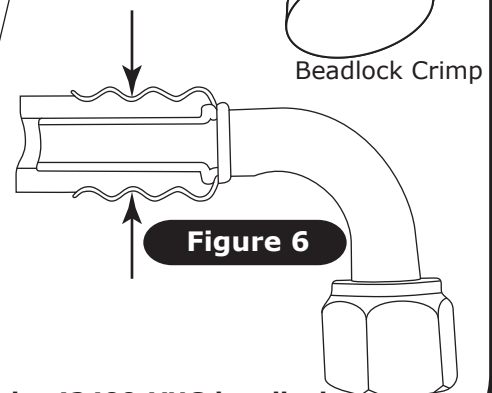


Figure 6

*Crimp measurement specifications are provided by ATCO in the 42400-VUG beadlock crimping tool sold by Vintage Air, and at www.atcoproductsinc.com.