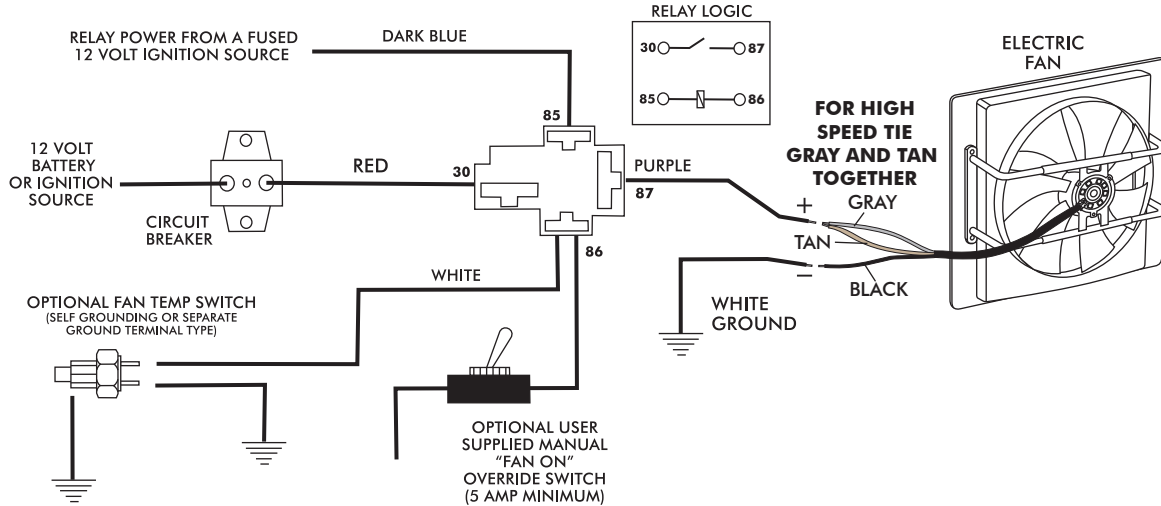




LO PRO FAN WIRING DIAGRAM

□ VINTAGE AIR RECOMMENDS HEAVY DUTY FAN WIRING KIT WITH 70 AMP RELAY. VINTAGE AIR PART # 23102-VUW

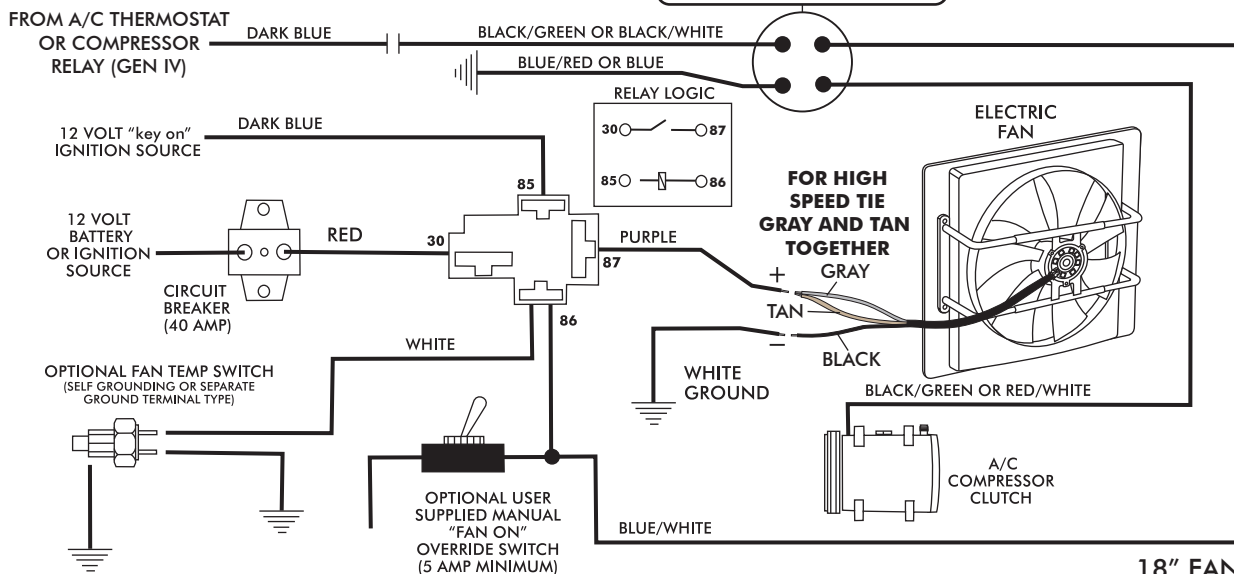
BASIC ELECTRIC FAN RELAY WIRING



TYPICAL ELECTRIC FAN RELAY WIRING w/ TRINARY SWITCH

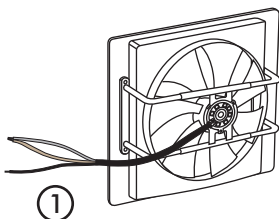
NOTE: FOR A DETAILED TECH VIDEO OUTLINING THE TRINARY SWITCH INSTALLATION PROCESS, VISIT VINTAGE AIR'S YouTube CHANNEL AT www.youtube.com/user/va197653.

TRINARY SWITCH 24676-VUS
 HIGH PRESSURE COMPRESSOR CUTOFF
 LOW PRESSURE COMPRESSOR CUTOFF
 PRESET PRESSURE FOR FAN RELAY GROUND



18" FAN KIT
280471

NO.	QTY.	PART NUMBER	DESCRIPTION
1.	1	280469	18 x 2.625 x 20 FAN/ SHROUD ASM



CHECKED BY: _____
 PACKED BY: _____
 DATE: _____