

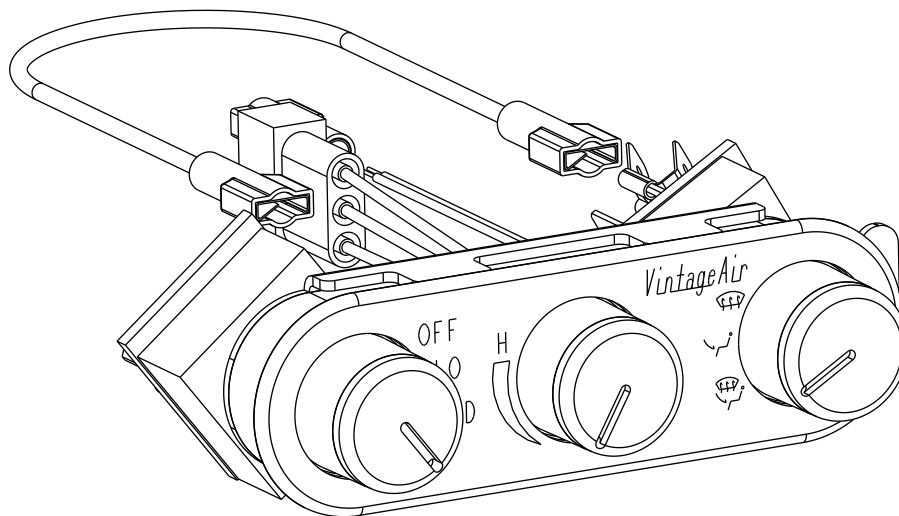


an ISO 9001:2008 Registered Company

# Streamline

## Gen II Heater Control Panel

### Black Anodized (491613)



**18865 Goll St. San Antonio, TX 78266**  
**Phone: 210-654-7171**  
**Fax: 210-654-3113**  
**[www.vintageair.com](http://www.vintageair.com)**



[www.vintageair.com](http://www.vintageair.com)

# Table of Contents

Cover.....	1
Table of Contents.....	2
Packing List/Parts Disclaimer.....	3
Control Panel Dimensions, Control Panel Installation.....	4
Control Panel Installation (Cont.), Operation of Controls.....	5
Wiring Diagram.....	6
Packing List.....	7

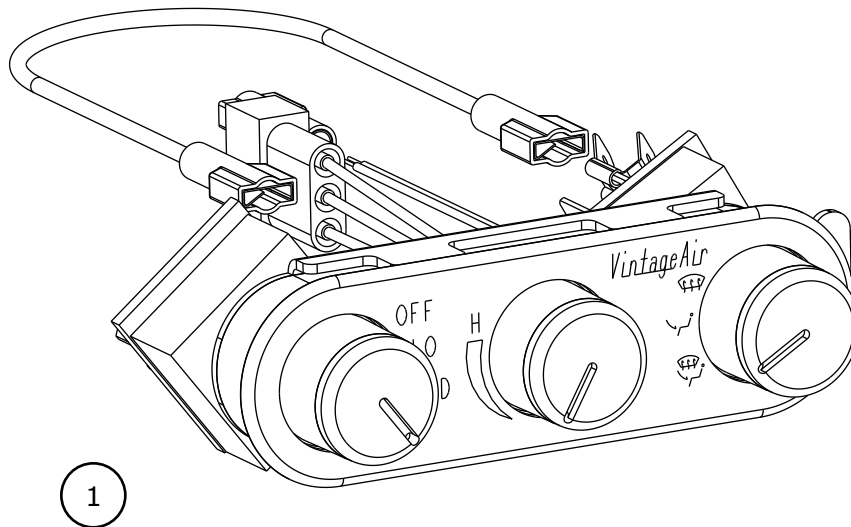


www.vintageair.com

## Packing List: Control Panel Kit (491613)

No.	Qty.	Part No.	Description
1.	1	491613	Control Panel Assembly

**\*\* Before beginning installation, open all packages and check contents of shipment. Please report any shortages directly to Vintage Air within 15 days. After 15 days, Vintage Air will not be responsible for missing or damaged items.**

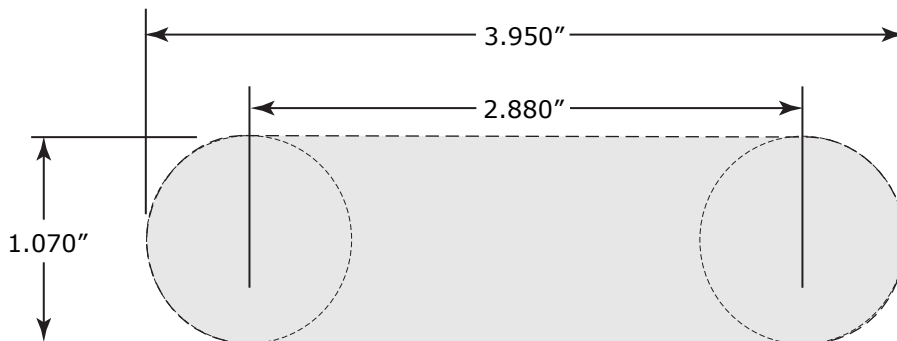


**NOTE: Images may not depict actual parts and quantities.  
Refer to packing list for actual parts and quantities.**



www.vintageair.com

## Control Panel Dimensions



## Control Panel Installation

1. Select a suitable location for the control panel. Consider heater control valve location and wiring harness length.
2. After selecting a location for the panel, mask the area 2 1/2" (Tall) x 6 1/2" (Wide).
3. Using the dimensions shown above, mark the dash with a marker or scribe.
4. Cut out the opening for the panel.
5. Remove the (2) control panel bracket mounting screws from the back of the control panel, and remove the control panel bracket with switches from the control panel face (See Figure 1, Page 5).
6. Install the control panel face into the dash, and reassemble the control panel (See Figures 2 & 2a, Page 5).
7. Locate the (2) sets of blue light-bulb wires on the back of the control panel. Connect the ring terminal to a suitable chassis ground. Connect the insulated female terminal to the instrument panel illumination harness on the vehicle (0-12 volt).
8. Wire according to the wiring diagram on Page 7.

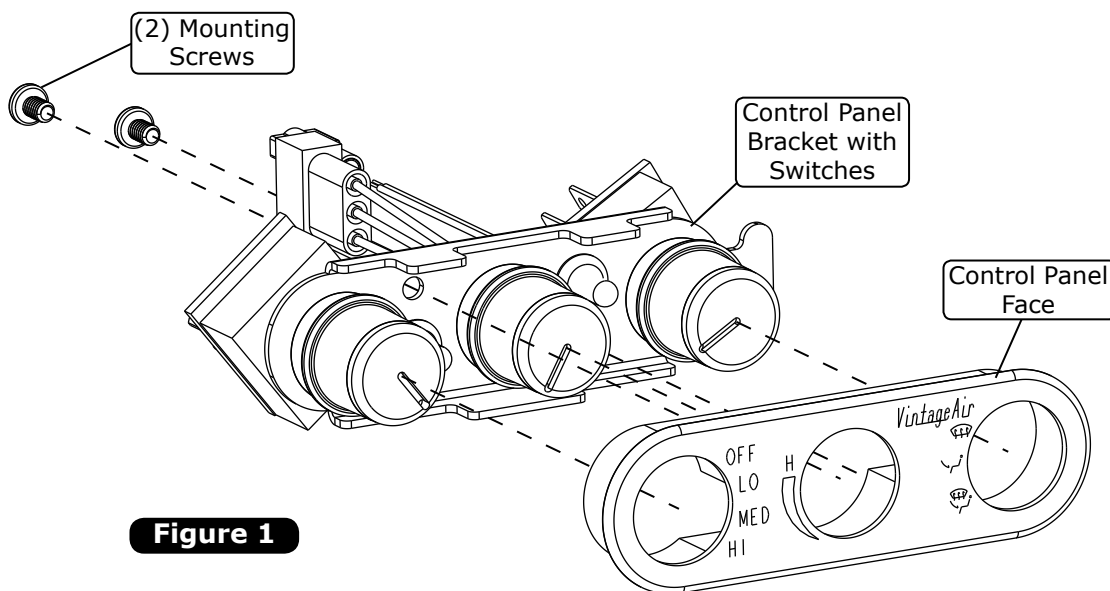


Figure 1



www.vintageair.com

## Control Panel Installation (Cont.)

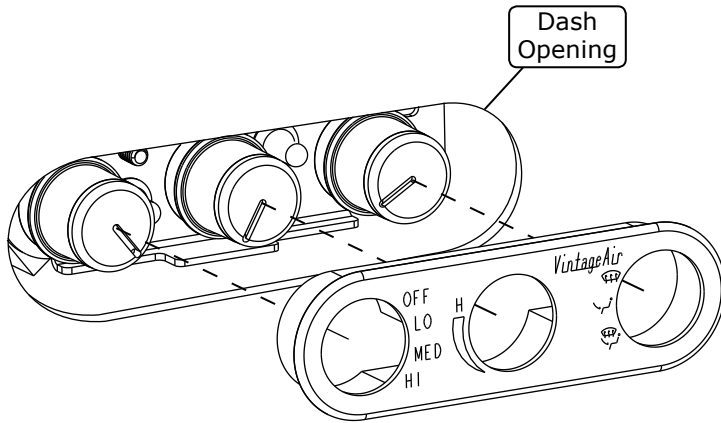


Figure 2

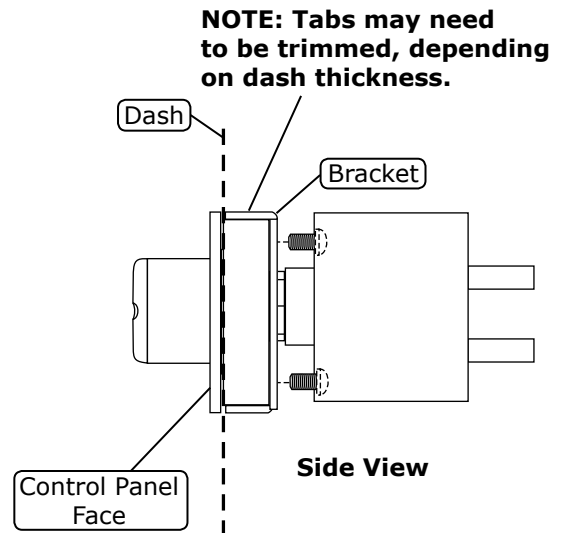
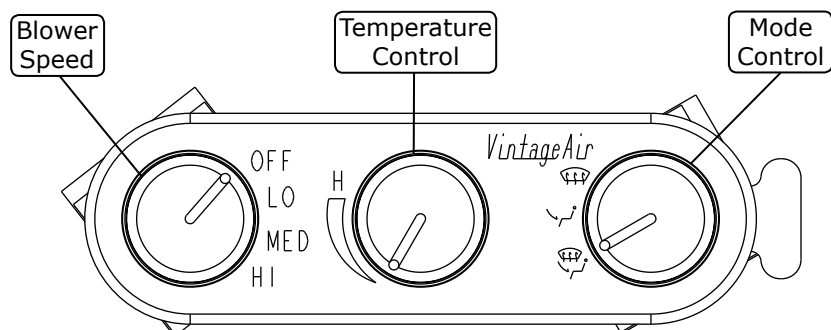


Figure 2a

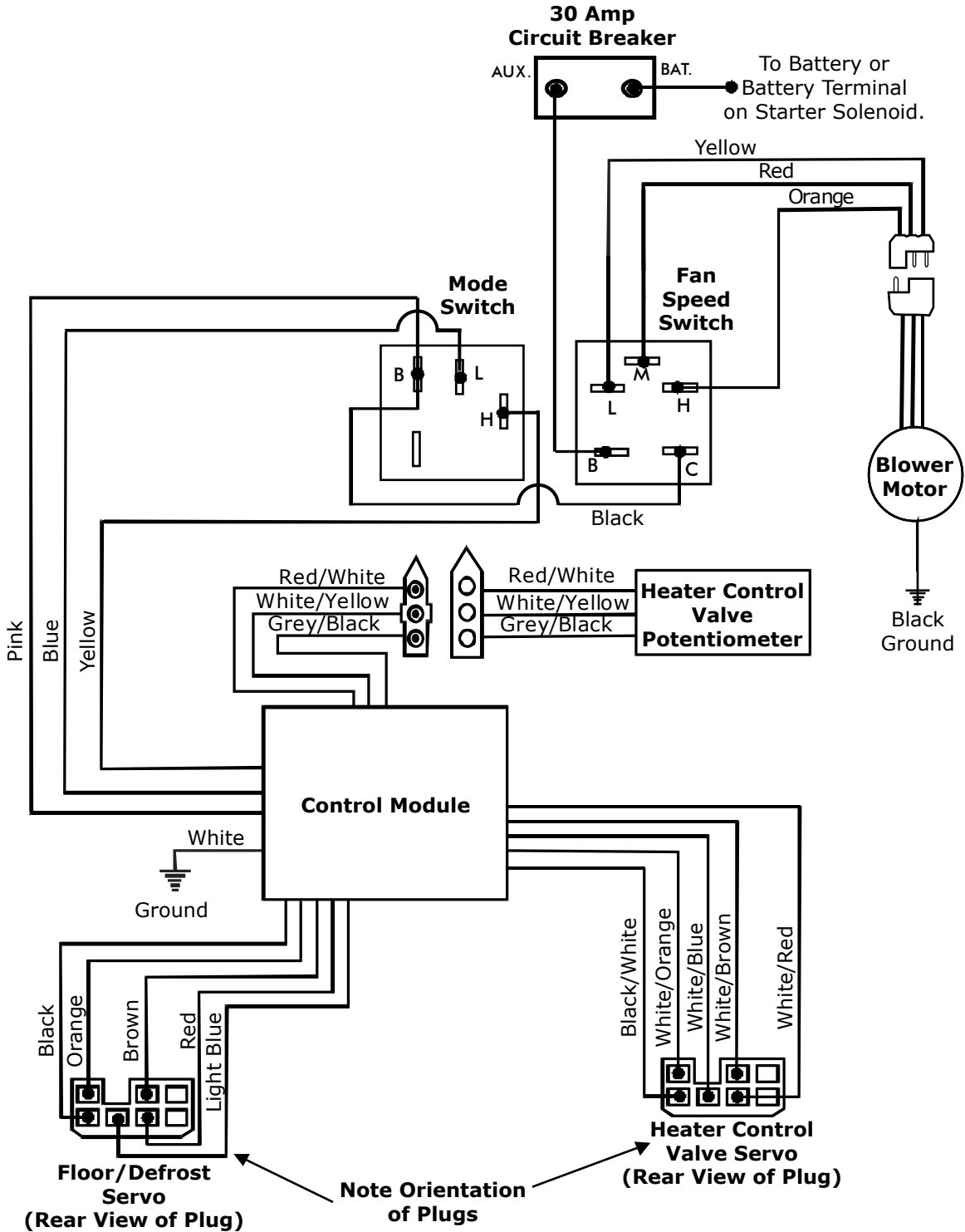
## Operation of Controls

- 1. Blower Speed:** Located on the left, this switch controls the 3-speed blower motor.
- 2. Mode Control:** Located on the right. Full counterclockwise is the first position, and is considered "off" if the blower is not turned on. The first position activates the Bi-level mode and directs air to both the defrost and floor levels. The second position activates the floor mode. The heater door opens and directs air to exit at floor level. The third position activates the defrost mode and will direct air to the defrost vents.
- 3. Temperature Control:** Located in the center, this switch allows you to adjust the temperature of the heat running through the system. For hotter temperatures, turn the switch clockwise. Turn the switch counterclockwise to reduce the temperature.





# Wiring Diagram: Gen II Heater





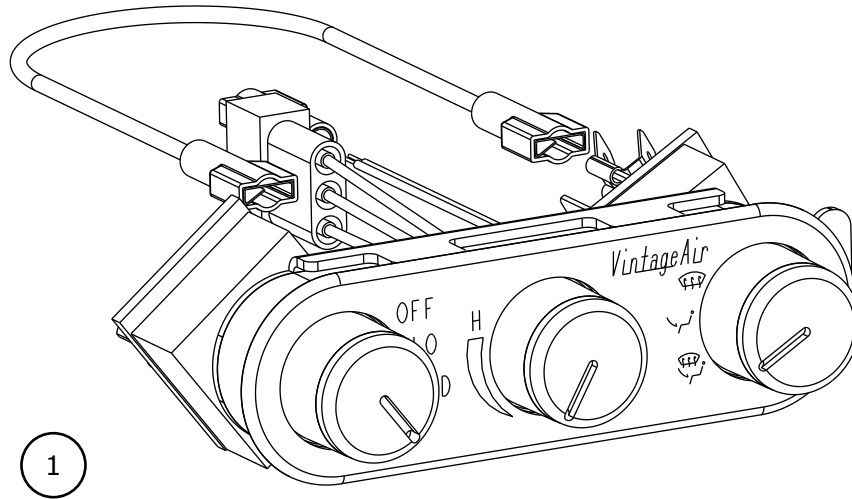


www.vintageair.com

# Packing List: Control Panel Kit (491613)

No.	Qty.	Part No.	Description
1.	1	491613	Control Panel Assembly

Checked By: \_\_\_\_\_  
Packed By: \_\_\_\_\_  
Date: \_\_\_\_\_



**NOTE: Images may not depict actual parts and quantities.  
Refer to packing list for actual parts and quantities.**