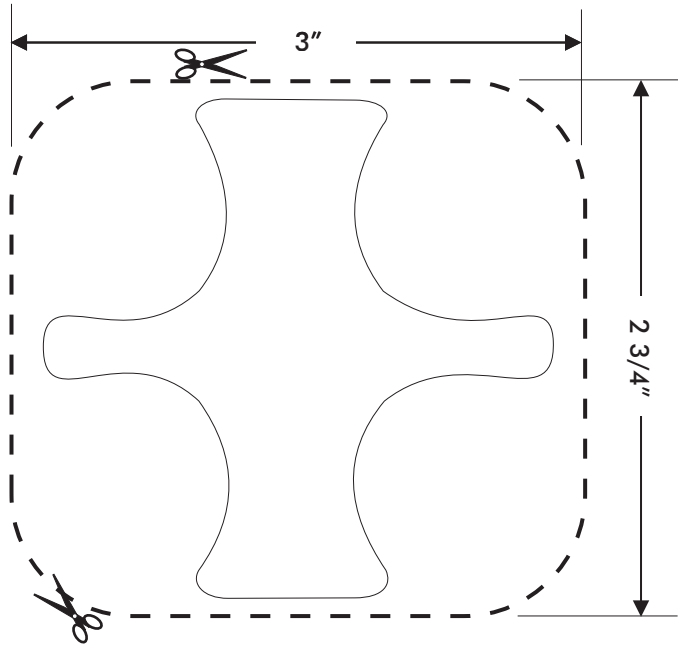
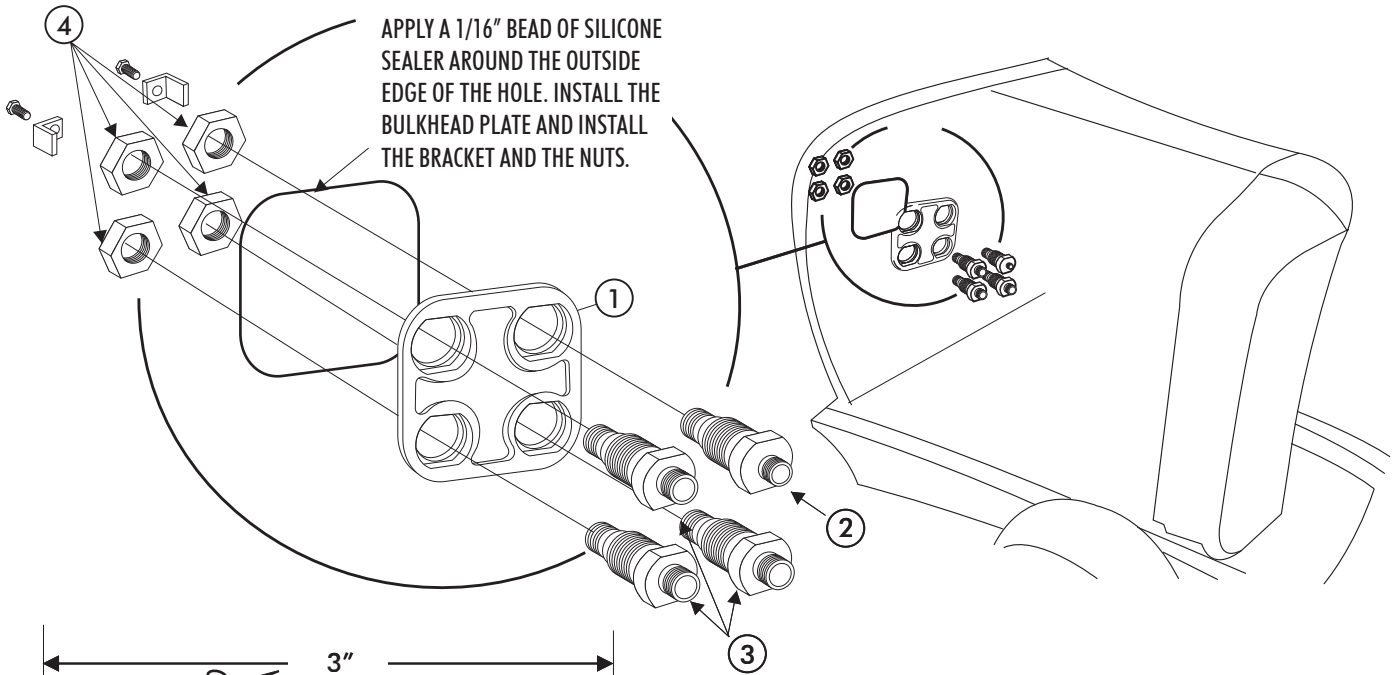




# 4-WAY BULKHEAD 34217-VUQ A/C-HEAT 4-WAY BULKHEAD



CUT THE TEMPLATE ON THE DOTTED LINES AND TAPE IN POSITION. TRACE AROUND THE TEMPLATE AND CUT OUT THE AREA.

**DO NOT EXCEED THE DIMENSIONS GIVEN.**

## A/C-HEAT 4-WAY SQUARE BULKHEAD #6 & #10

**34217-VUQ**

No.	QTY.	PART NO.	DESCRIPTION	CHECK LIST
1.	1	34004-VUQ	4-WAY SQUARE BULKHEAD PLATE	_____
2.	1	35331-VUQ	#6 A/C BULKHEAD FITTING	_____
3.	3	35333-VUQ	#10 A/C BULKHEAD FITTING	_____
4.	4	186078-NMR	#10 BULKHEAD FITTING NUT	_____

CHECKED BY: \_\_\_\_\_  
 PACKED BY: \_\_\_\_\_  
 DATE: \_\_\_\_\_