



FAN THERMOSTAT

24675-VUT

INSTALLATION INSTRUCTIONS

- REMOVE RADIATOR DRAIN COCK FROM RADIATOR.
- APPLY THREAD SEALER TO CONNECTOR AND SCREW INTO RADIATOR DRAIN COCK FLANGE AND
- TIGHTEN WITH 9/16" WRENCH.
POSITION SLEEVE AT 1-15/16" FROM TIP OF SENSOR. SEE FIGURE 1.

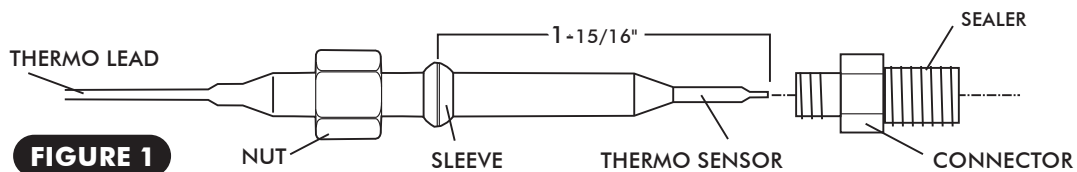


FIGURE 1

- INSERT SENSOR INTO CONNECTOR ON RADIATOR AND HAND TIGHTEN NUT. SEE FIGURE 2.
- USING A 1/2" WRENCH ON NUT AND A 9/16" WRENCH ON CONNECTOR, SNUG BOTH FITTINGS TOGETHER. OVERTIGHTENING THESE CONNECTIONS MAY RESULT IN DAMAGE OR FAILURE.
- ATTACH THERMOSTAT SWITCH TO THERMOSTAT MOUNTING BRACKET (SEE FIGURE 3) AND MOUNT IN A POSITION WHERE IT WILL NOT BE DAMAGED OR SUBJECT TO EXCESSIVE MOISTURE.

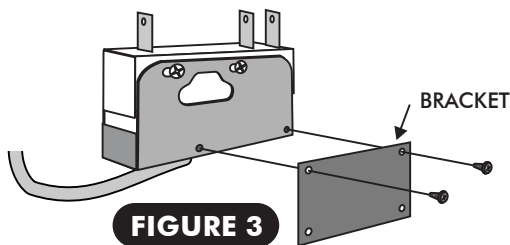


FIGURE 3

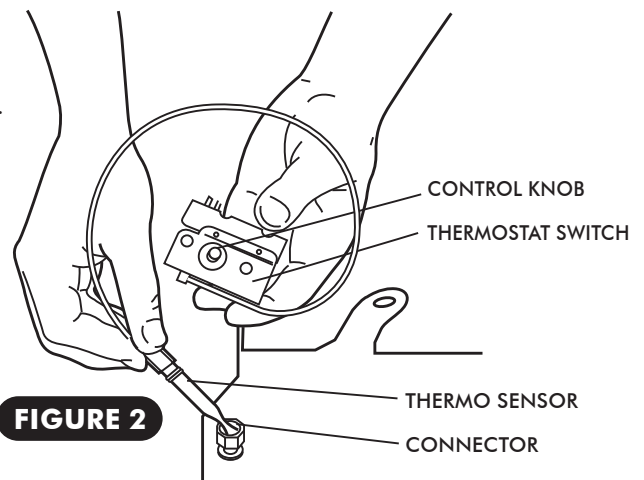


FIGURE 2

- WIRE ACCORDING TO WIRING DIAGRAM. (VINTAGE AIR RECOMMENDS USING OPTIONAL ELECTRIC FAN WIRING KIT PART No. 23101-VUW).

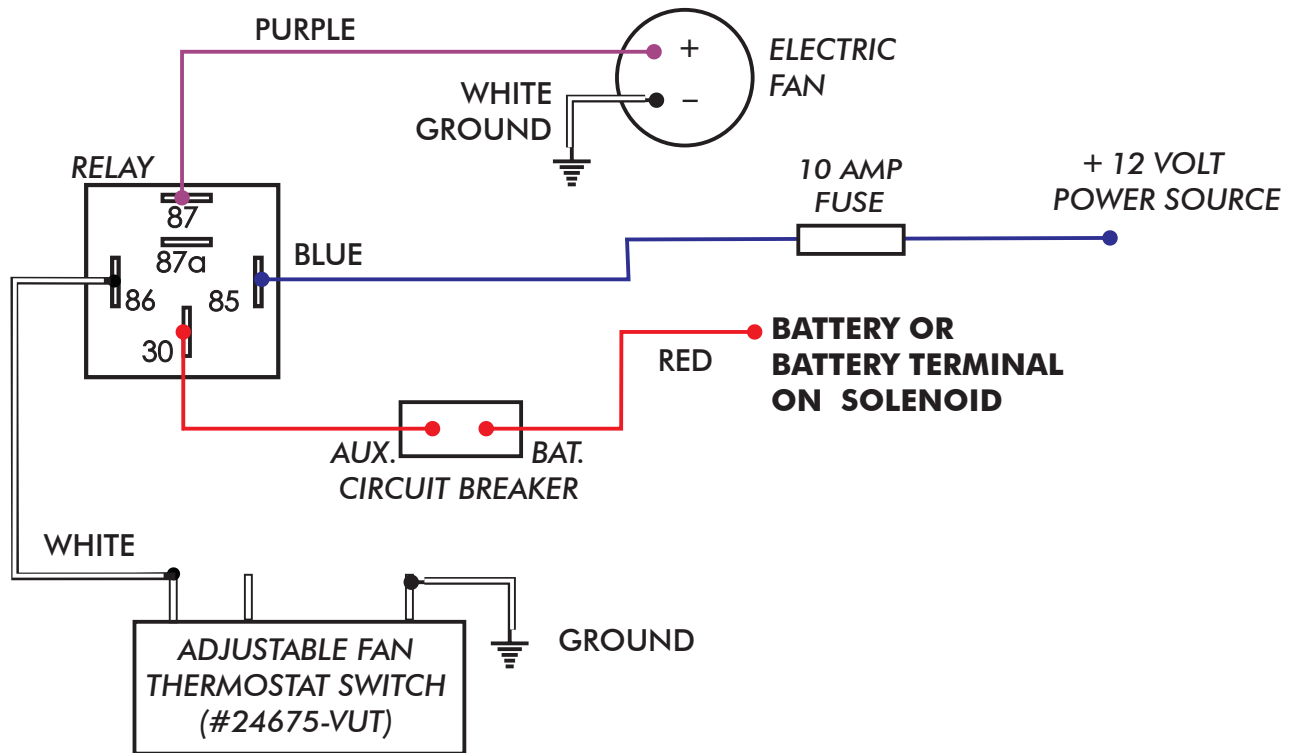
CALIBRATING THERMOSTAT

- INSTALL COOLANT INTO COOLING SYSTEM.
- START ENGINE.
- ROTATE THERMOSTAT CONTROL KNOB FULLY CLOCKWISE. SEE FIGURE 2.
- ALLOW ENGINE TO REACH THE TEMPERATURE AT WHICH YOU WANT THE FAN TO START. A GOOD STARTING POINT IS 10° ABOVE ENGINE THERMOSTAT TEMPERATURE.
- ROTATE THERMOSTAT CONTROL KNOB COUNTER CLOCKWISE UNTIL FAN ENGAGES.
- FAN IS NOW SET TO FUNCTION AT THE DESIRED TEMPERATURE.



FAN THERMOSTAT

WIRING DIAGRAM



DRIER KIT PACKING LIST

No.	QTY.	PART No.	DESCRIPTION
1.	1	18100-VUG	1/4" COMP MALE HALF UNION
2.	4	18233-VUB	#6 x 3/8" PAN HD SCREW
3.	1	40130-VUB	ADJ. FAN SENSOR BRACKET
4.	1	40155-VUT	ADJUSTABLE FAN THERMOSTAT
5.	1	49457-VUI	CONTROL KNOB

CHECKED BY: _____
 PACKED BY: _____
 DATE: _____