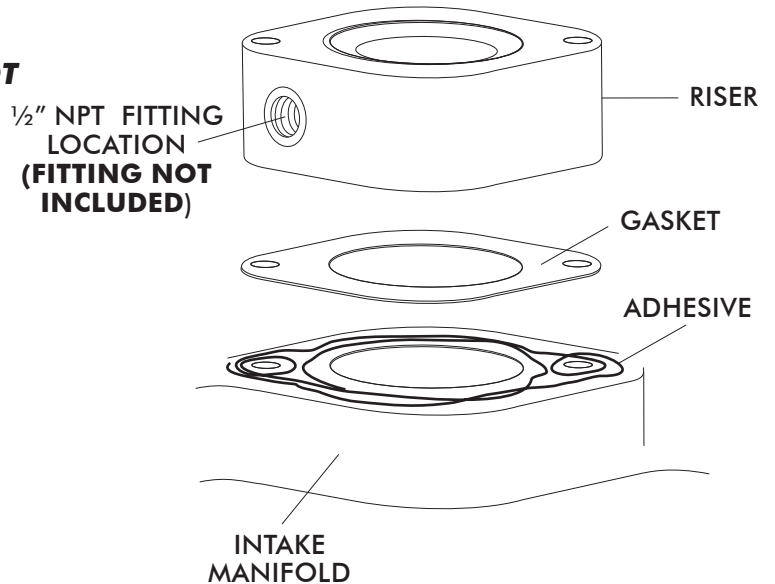
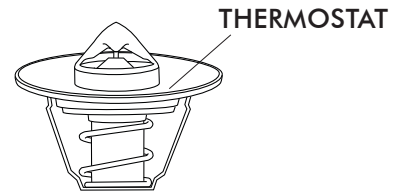




WATER NECK RISER

WATER NECK RISER

- USING A SUITABLE GASKET ADHESIVE
INSTALL THERMOSTAT GASKET ON
INTAKE MANIFOLD.
- POSITION WATER NECK RISER AS DESIRED.
APPLY A BEAD OF GASKET ADHESIVE
AROUND THE WATER NECK RISER AND
INSTALL THE THERMOSTAT GASKET
ON THE WATER NECK RISER.
- INSTALL THERMOSTAT.
- INSTALL FITTING (**NOTE: FITTING NOT
INCLUDED**)



706001-VCQ WATER NECK RISER

No.	QTY.	PART No.	DESCRIPTION
1.	1	720000-SCR	WATER NECK RISER (1/2" NPT THREAD)
2.	1	330601-VGR	THERMOSTAT HOUSING/RISER GASKET

CHECKED BY: _____
 PACKED BY: _____
 DATE: _____