

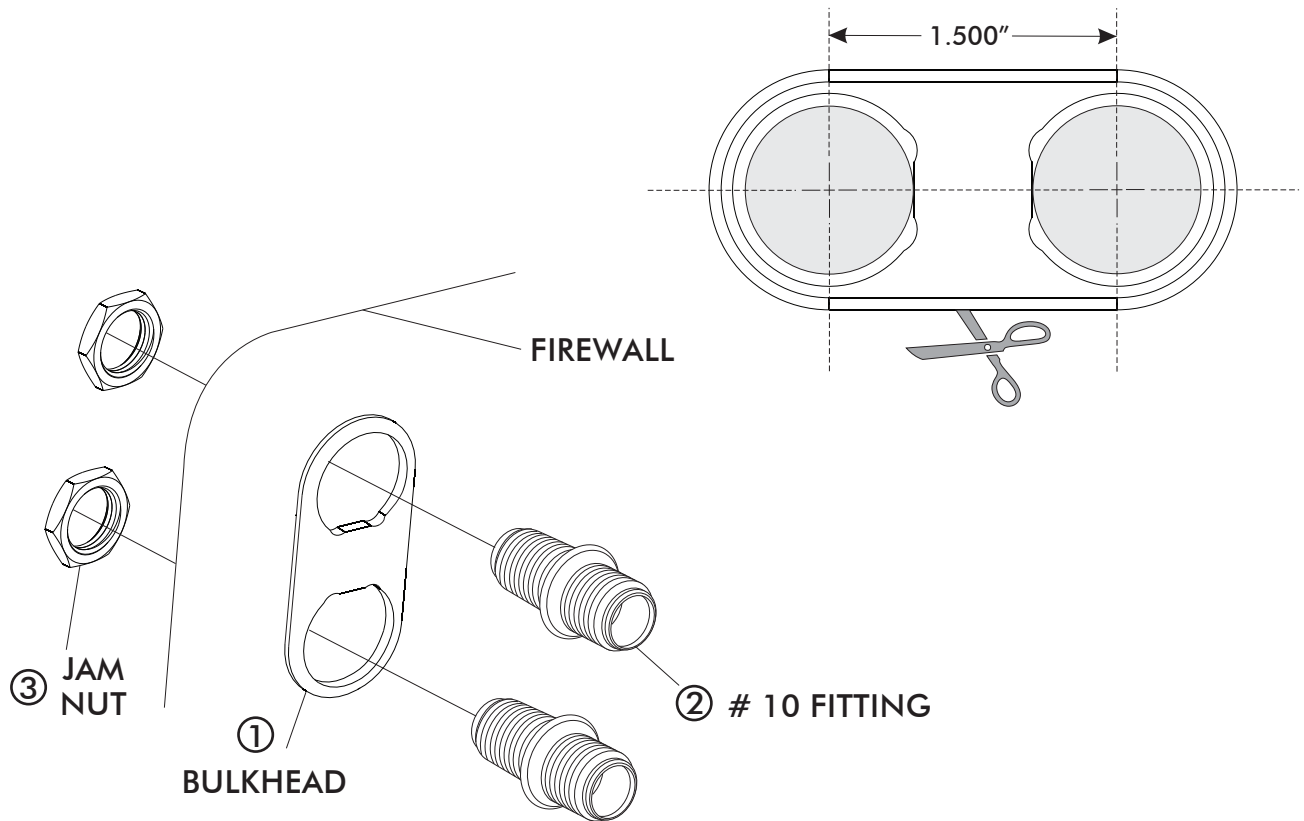


# STREAMLINE BULKHEAD 2-WAY INLINE

## 382000-MBA STREAMLINE BULKHEAD 2-WAY INLINE #10 - #10

- CUT OUT BULKHEAD TEMPLATE AND LOCATE WHERE YOU WOULD LIKE TO PLACE YOUR BULKHEAD.
- LEVEL AND TAPE BULKHEAD TEMPLATE INTO PLACE, USE A SMALL CENTER PUNCH AND MARK HOLES.
- DRILL 7/8" HOLES FOR BULKHEAD FITTINGS AND INSTALL BULKHEAD WITH FITTINGS AS SHOWN.

**NOTE: FITTINGS MAY BE ARRANGED IN ANY CONFIGURATION.**



### STREAMLINE BULKHEAD 2-WAY INLINE #10 -#10

**382000-MBA**

No.	QTY.	PART NO.	DESCRIPTION	CHECK LIST
1.	1	382300-MBQ	STRM 2 WAY INLINE BKHD	_____
2.	2	334010-VOR	STRM BKHD #10 MALE FITTING	_____
3.	2	186078-NMR	7/8-14 JAM NUT	_____

CHECKED BY: \_\_\_\_\_  
 PACKED BY: \_\_\_\_\_  
 DATE: \_\_\_\_\_