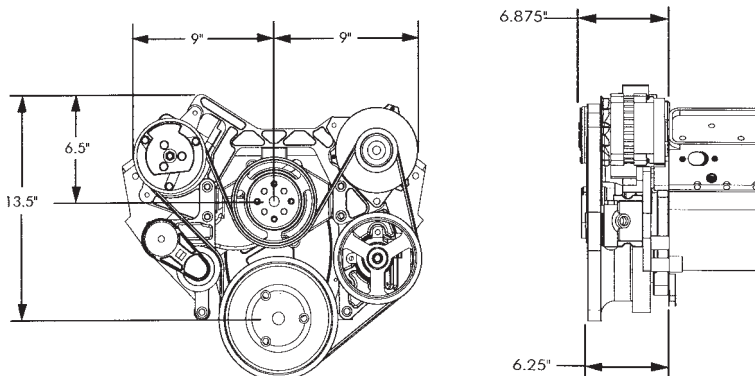
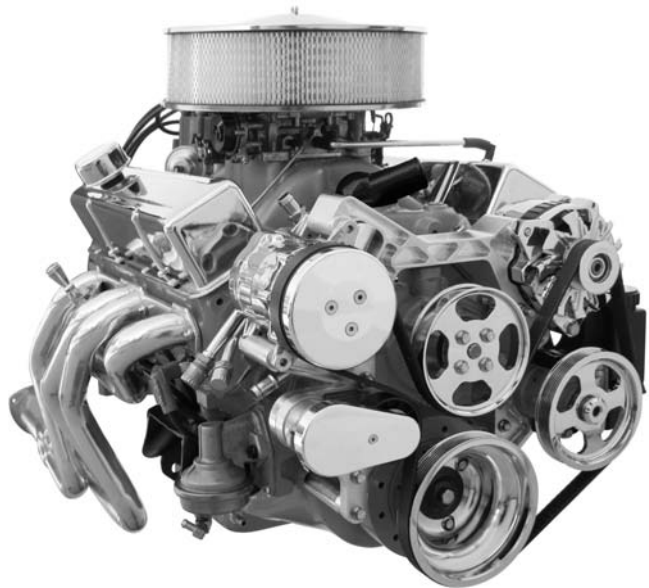




**SMALL BLOCK CHEVY STANDARD SPECS  
FRONT RUNNER™ ENGINE DRIVE SYSTEM**



MEASUREMENTS ARE FROM FACE OF BLOCK

**Small Block Chevy Front Runner™ Drive System Includes:**

- Main Truss Mounting Bracket
- Tensioner Bracket
- Power Steering Bracket (Or Power Steering-Delete Bracket)
- Stewart Hi-Perf Aluminum Water Pump
- ARP Polished Stainless Hardware
- Sanden SD7 Compressor With Formed Aluminum Hardlines
- 140 Amp Alternator
- Compressor Clutch Cover
- Tensioner Cover
- Crankshaft Pulley
- Water Pump Pulley
- Power Steering Pulley (With Power Steering Kit)
- Dayco Perf Serpentine Drive Belt
- Dayco OEM Tensioner
- Delphi-Saginaw Power Steering Pump With Integral Reservoir
- Extended 45 ° Heater Hose Nipple



Patents Pending

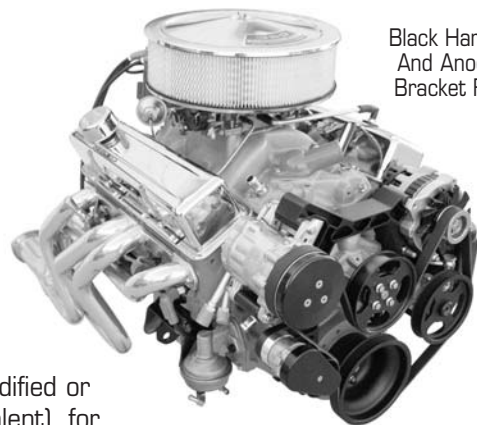
**Bright Small Block Chevy Front Runner™ Drive System**

- 174015 With Power Steering (includes Pump)
- 174020-SCA With Power Steering (less Power Steering Pump)
- 175020-SCA Non-Power Steering

**Black Hardcoat Small Block Chevy Front Runner™ Drive System**

- 174008 With Power Steering (Includes Pump)
- 174010-SCA With Power Steering (Less Power Steering Pump)
- 175010-SCA Non-Power Steering

*\*Hardcoat kits include black hardcoated pulleys and black anodized bracket, clutch and tensioner covers*



Black Hardcoat And Anodized Bracket Finish

**Note:** On Chevy ZZ4 engine, composite timing cover mounting bolt must be modified or timing cover may be replaced with steel cover (GM part # 12523317 or equivalent), for standard short water pump clearance.

**Note:** Small Block Chevy long version Front Runner Drive System still available.

**Note:** Not compatible with any LT1 engine.

**Front Runner  
Accessories Page 60**

**RESEARCH AND DEVELOPMENT**

We don't build too many compressor bracket sets for 700 cubic inch Dart Racing/World Products engines. But the knowledge we gained from engineering such unusual and extreme applications translates directly into the products we make for the "average" street rod or classic car. Just when we think we've seen everything, some hot rodder will come up with something totally wild!