



HEATER FITTINGS - Beadlock & O-Ring



Beadlock Heater Fittings
 #10-Straight354100
 #10-45 Degree354200
 #10-90 Degree354300



O-Ring Heater Fittings (for 5/8" hose)
 #10-Straight35445-VUG
 #10-45 Degree35446-VUG
 #10-90 Degree35447-VUG



O-Ring Bulkhead Heater Fittings
 (for 5/8" hose)
 #10-Straight35215-VUG
 #10-90 Degree35236-VUG



Manifold Heater Fittings (stainless)
 Straight 1/2" NPT to #10 male O-ring.....36033-MPA
 Straight 3/8" NPT to #10 male O-ring.....36032-MPA
 90 Degree brass tight route fitting-
 1/2" NPT male fitting accepts 1/2"
 hose nipple fitting18104-VUG

Pro Quality Crimp Tools For Refrigerant Lines

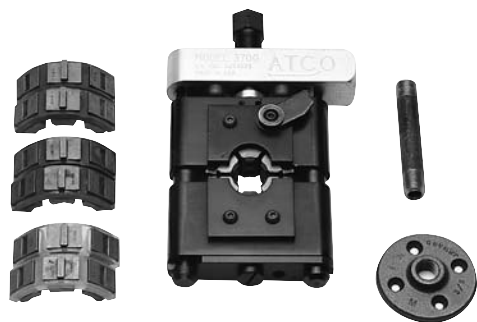


424005 Standard Aluminum Beadlock A/C Hose Crimper 134a

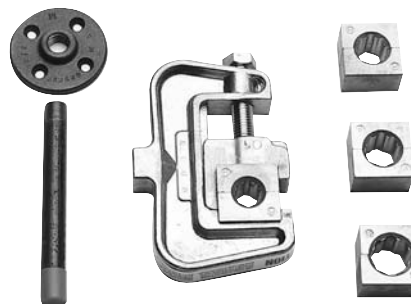


NEW!

424007 Hydra Crimp Kit. Portable hand held hydraulic crimper. Beadlock A/C Hose Crimper 134a



42400-VUG Commercial Steel Beadlock A/C Hose Crimper 134a



42300-VUG Barb type tool

SHOP TOUR

Our Shipping Department ensures that all Vintage Air systems and components are assembled, inspected and carefully packaged before being shipped out to our customers. (L-R) Eugene Cerna, Javier Martinez, Hector Reyes, David Limon, Steve Nail and Juan Ruiz.

