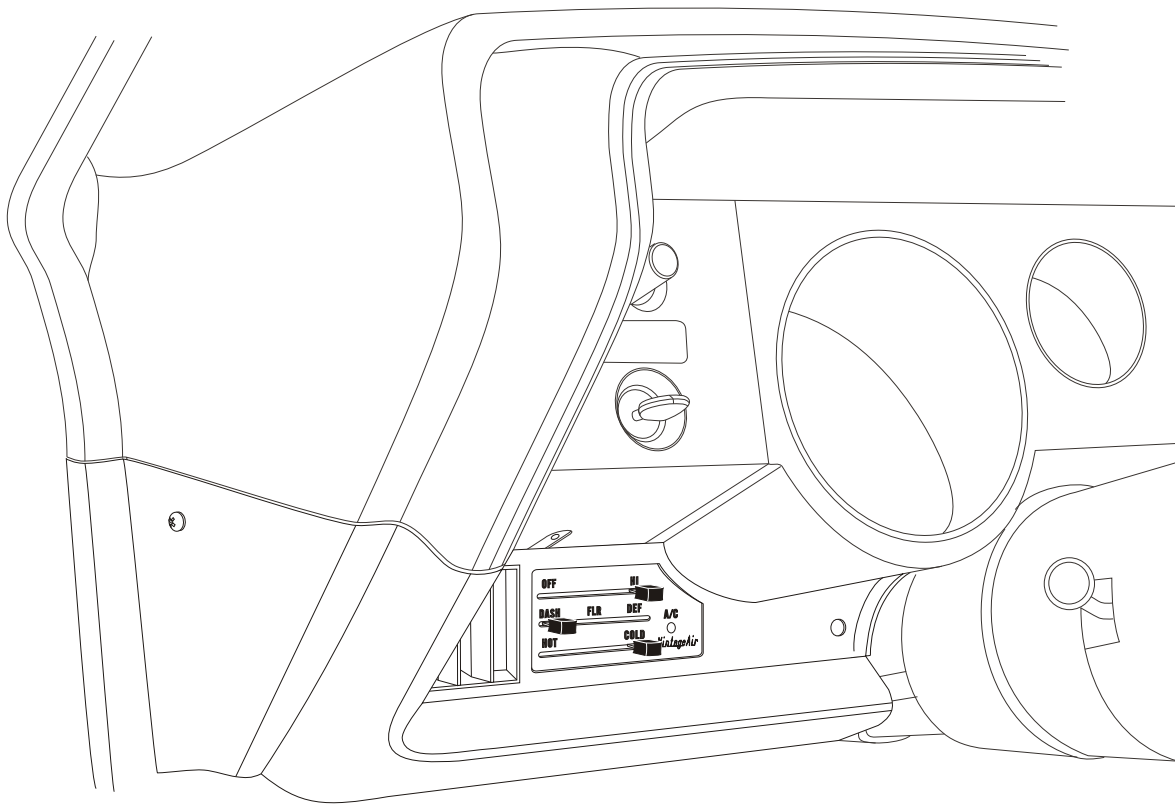




1970-74 CHALLENGER/CUDA

w/ AC CONTROL PANEL CONVERSION KIT
471077-EDA



18865 GOLL ST. - SAN ANTONIO, TX. - 78266 ph.210-654-7171 - fax 210-654-3113



Table of Contents

PAGES

1. COVER
2. TABLE OF CONTENTS
3. PACKING LIST/ PARTS DISCLAIMER
4. REMOVING OEM CONTROL PANEL
5. CONTROL PANEL INSTALLATION
6. KNOB & CONTROL HARNESS INSTALLATION
7. CONTROL PANEL KIT PACKING LIST



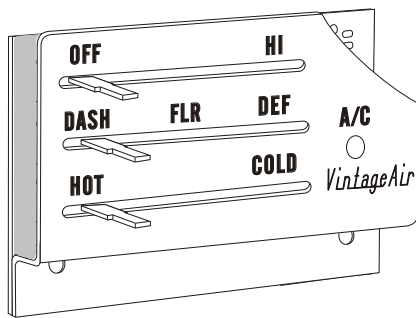
1970-74 CHALNGR/CUDA w/ AC CNTRL PNL

CONTROL KIT PACKING LIST

**CONTROL KIT
471077-EDA**

No.	QTY.	PART No.	DESCRIPTION
1.	1	471074-EDA	70-74 CHALNGR/CUDA w/ AC CNTRL PNL ASM
2.	2	18235-VUB	#8 x 1/2" PH PANHEAD SCREWS
3.	2	186008-WSR	#8 WASHER
4.	3	49455-VUI	KNOB CONTROL (STD LEVER)
5.	1	232007-VUR	GEN IV UNIVERSAL CONTROL HARNESS (TYPE C)

**** BEFORE BEGINNING INSTALLATION OPEN ALL PACKAGES AND CHECK CONTENTS OF SHIPMENT. PLEASE REPORT ANY SHORTAGES DIRECTLY TO VINTAGE AIR WITHIN 15 DAYS. AFTER 15 DAYS, VINTAGE AIR WILL NOT BE RESPONSIBLE FOR MISSING OR DAMAGED ITEMS.**

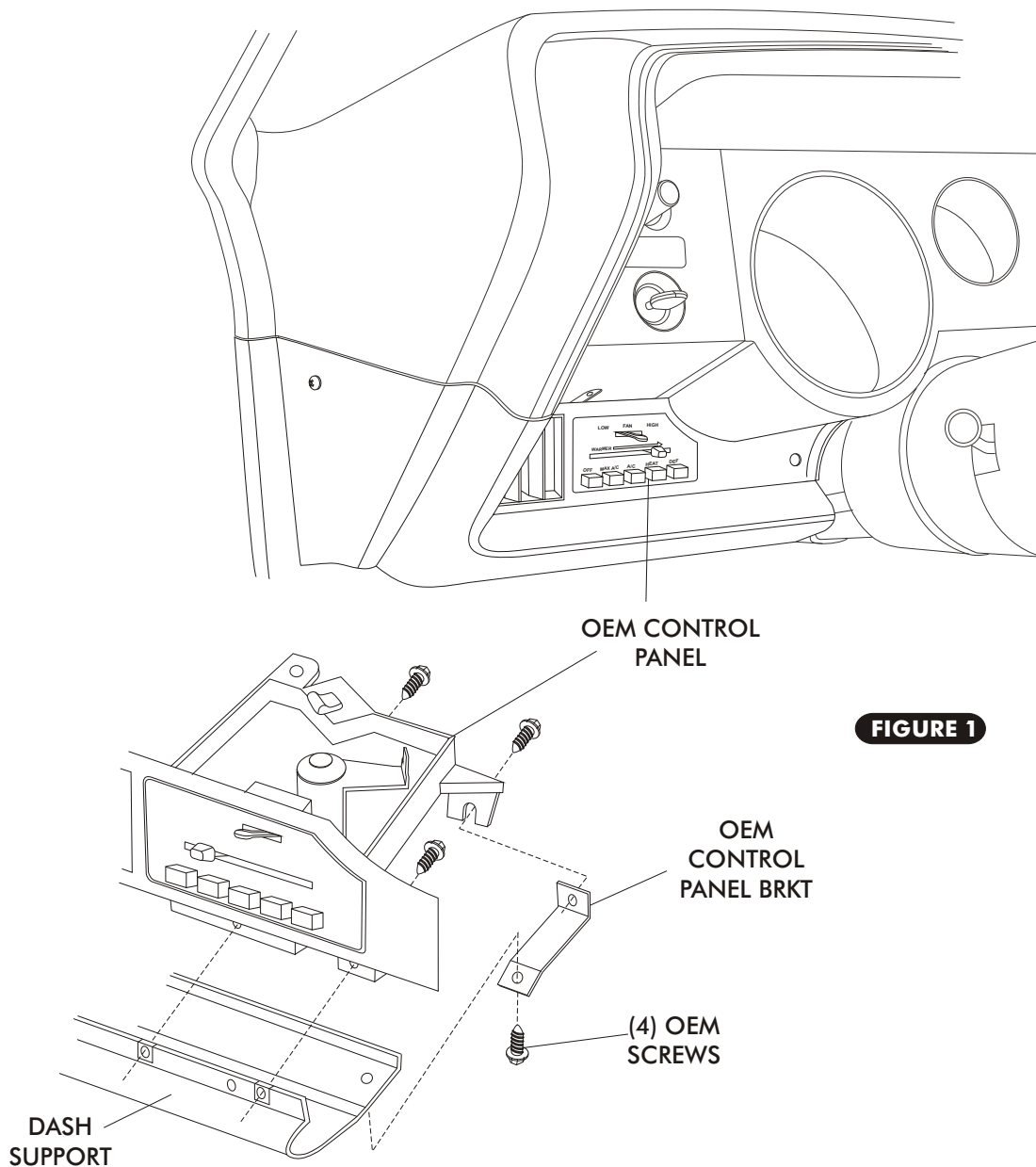




CONTROL PANEL CONVERSION INSTRUCTIONS FOR 1970-74 CHALLENGER/CUDA w/ AC CONTROL PANEL

REMOVING OEM CONTROL PANEL

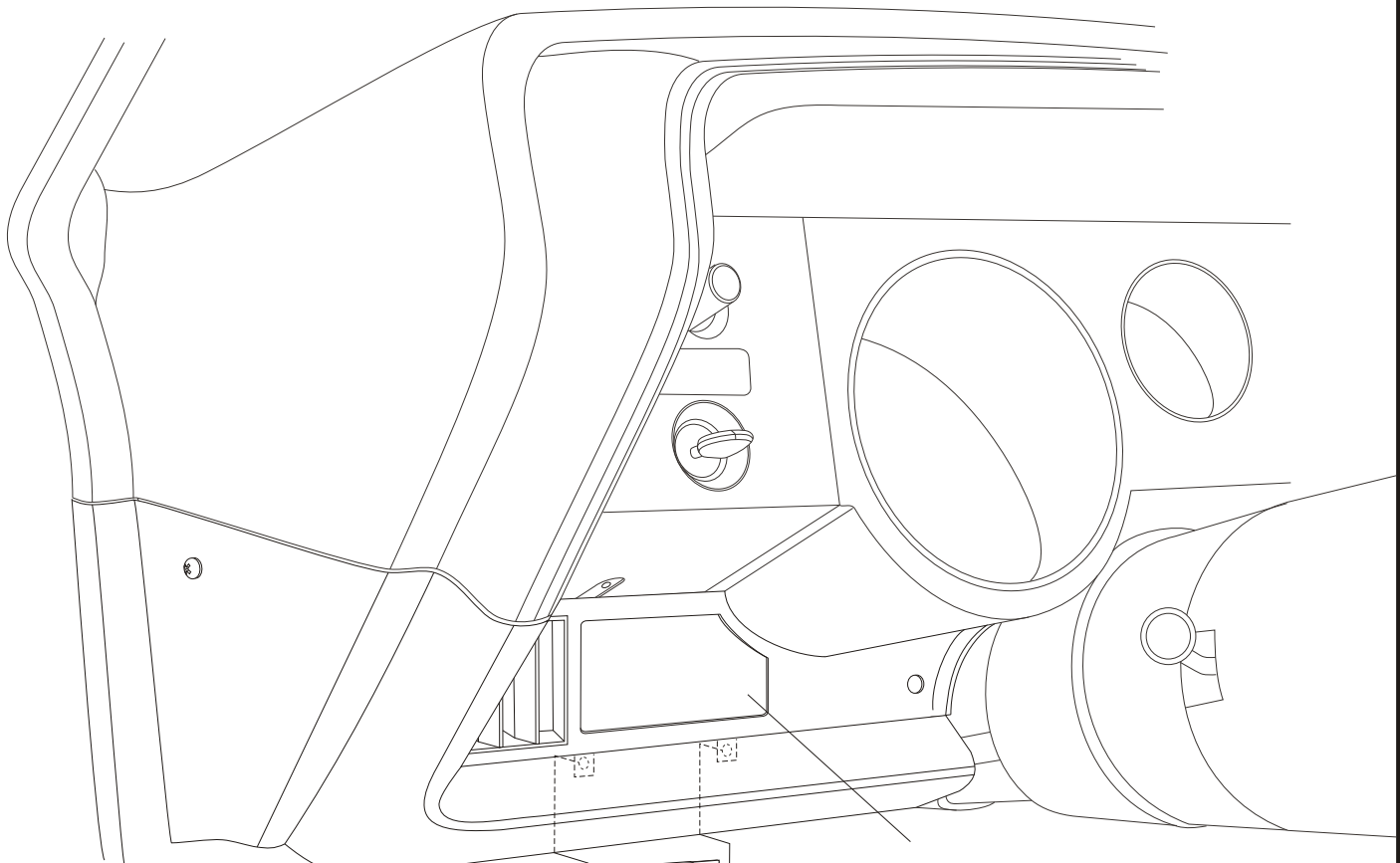
- DISCONNECT WIRES, VACUUM HOSES AND CONTROL LEVER CABLE FROM THE BACK OF THE OEM CONTROL PANEL.
- REMOVE OEM CONTROL PANEL. (DISCARD) SEE FIGURE 1 BELOW





CONTROL PANEL INSTALLATION

- INSTALL CONTROL PANEL ASM FROM UNDER THE DASH IN THE OPENING OF THE OEM CONTROL PANEL BEZEL AS SHOWN IN FIGURE 2 BELOW.
- SECURE THE CONTROL PANEL ASM TO DASH USING (2) #8 x 1/2" PH PANHEAD SCREWS AS SHOWN IN FIGURE 2 BELOW.

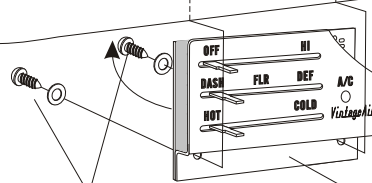


OEM CONTROL PANEL
BEZEL OPENING

FIGURE 2

(2) 18235-VUB
#8 x 1/2
PH PANHEAD
SCREW w/ (2)
186008-WSR
#8 WASHER

471074-EDA
CONTROL PANEL
ASM





KNOB INSTALLATION

- INSTALL (3) KNOBS AS SHOWN IN FIGURE 3 BELOW.

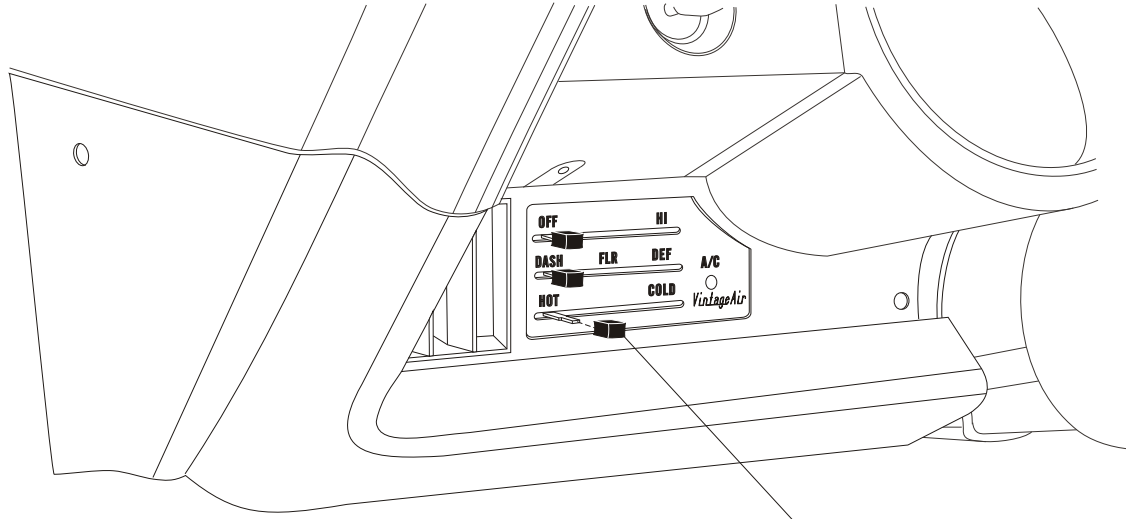


FIGURE 3

(3) 49455-VUI
KNOB CONTROL
(STD LEVER)

CONTROL HARNESS

- FROM UNDER THE DASH PLUG-IN THE CONTROL PANEL WIRING HARNESS AS SHOWN IN FIGURE 4 BELOW.

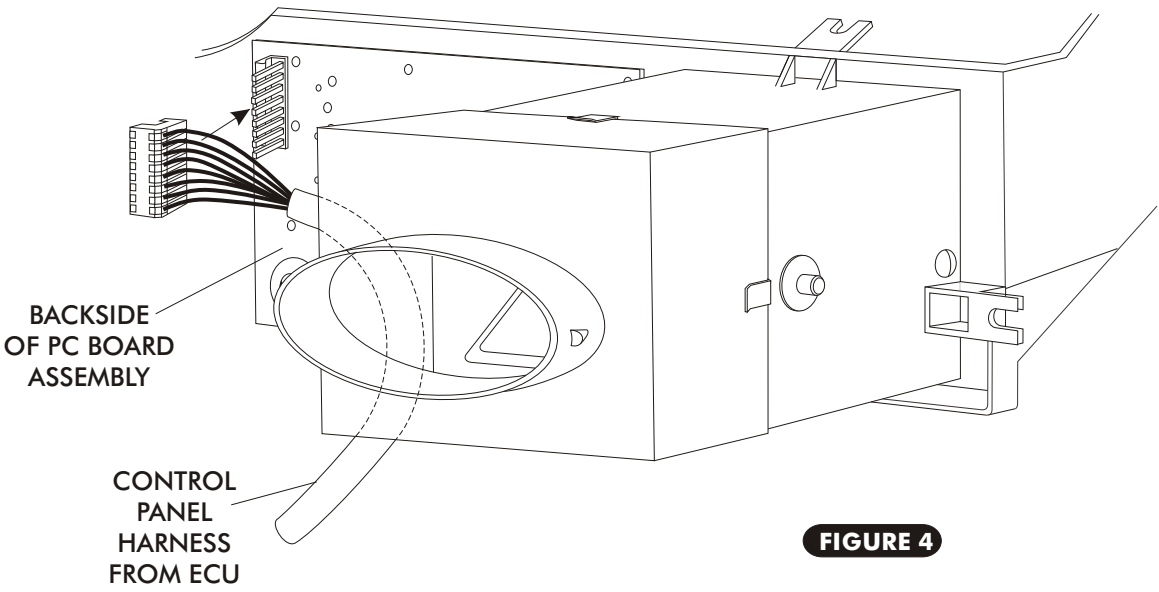


FIGURE 4



1970-74 CHALNGR/CUDA w/ AC CNTRL PNL

**CONTROL KIT
471077-EDA**

CONTROL KIT PACKING LIST

No.	QTY.	PART No.	DESCRIPTION	
1.	1	471074-EDA	70-74 CHALNGR/CUDA w/ AC CNTRL PNL ASM	_____
2.	2	18235-VUB	#8 x 1/2" PH PANHEAD SCREWS	_____
3.	2	186008-WSR	#8 WASHER	_____
4.	3	49455-VUI	KNOB CONTROL (STD LEVER)	_____
5.	1	232007-VUR	GEN IV UNIVERSAL CONTROL HARNESS (TYPE C)	_____

CHECKED BY: _____
 PACKED BY: _____
 DATE: _____

