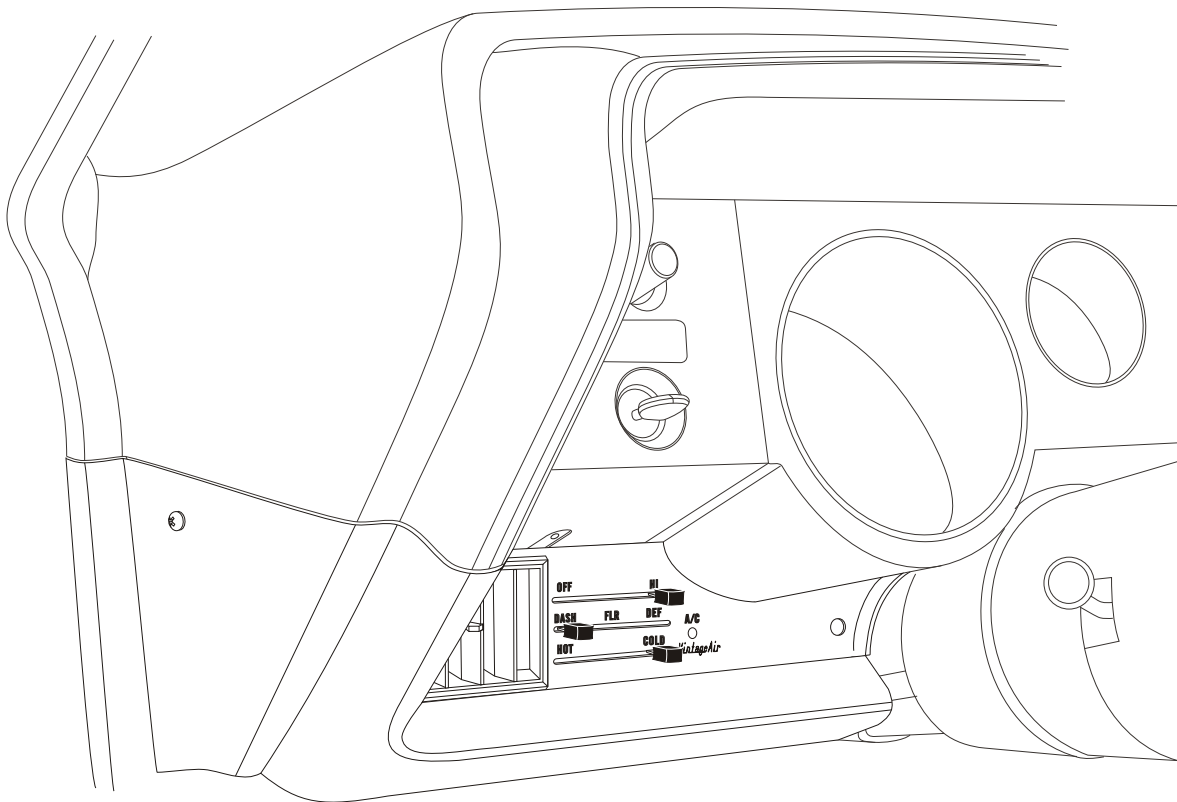




1970-74 CHALLENGER/CUDA

w/o AC CONTROL PANEL CONVERSION KIT
471075-EDA



18865 GOLL ST. - SAN ANTONIO, TX. - 78266 ph.210-654-7171 - fax 210-654-3113



Table of Contents

PAGES

1. COVER
2. TABLE OF CONTENTS
3. PACKING LIST/ PARTS DISCLAIMER
4. REMOVING OEM CONTROL PANEL
5. CONTROL PANEL & CONTROL PANEL BRACKET INSTALLATION
6. CONTROL PANEL BRACKET INSTALLATION CONT.
7. CONTROL PANEL HARNESS, LOUVER & DASH INSTALLATION
8. CONTROL PANEL KIT PACKING LIST



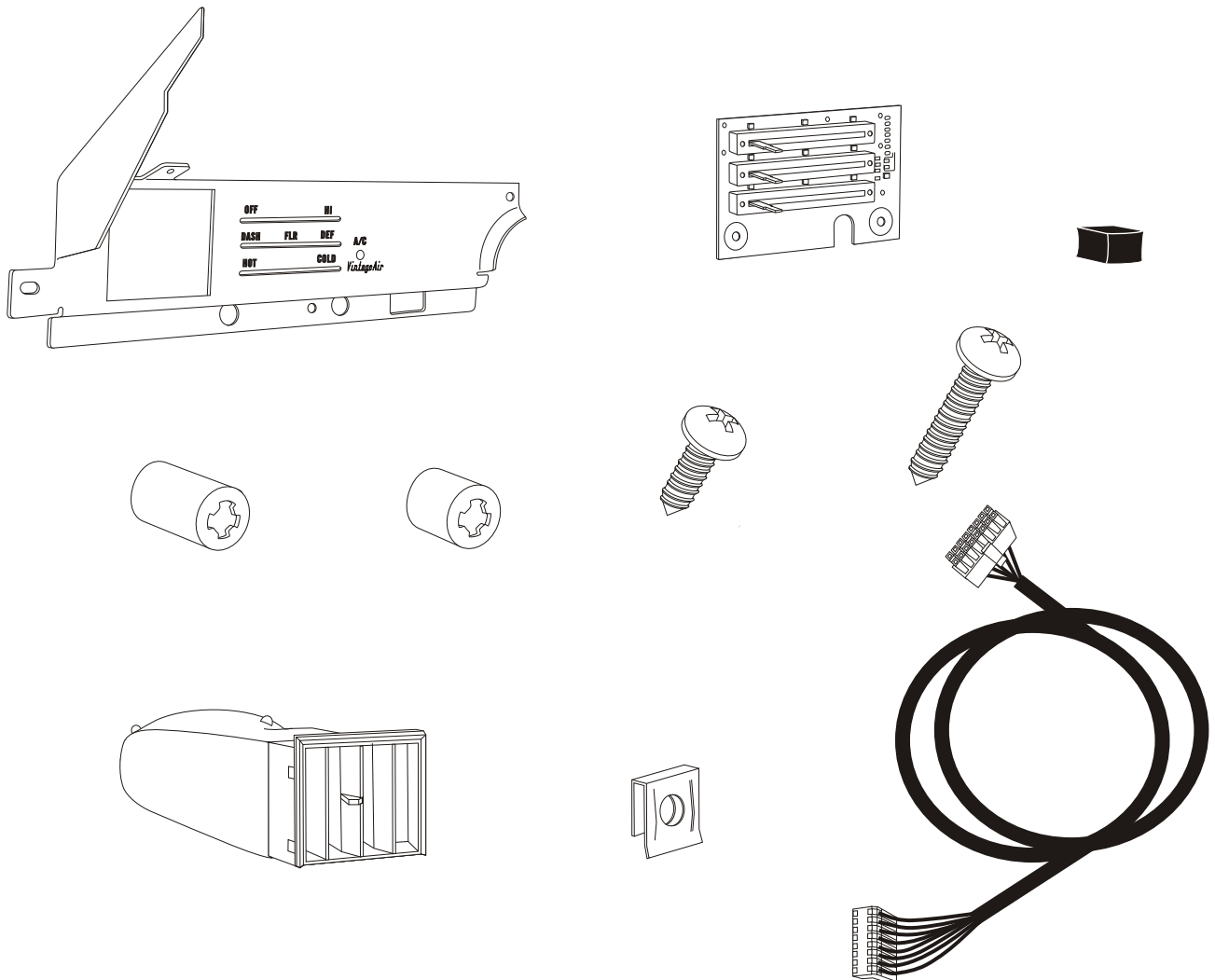
1970-74 CHALNGR/CUDA w/o AC CNTRL PNL

CONTROL KIT PACKING LIST

**CONTROL KIT
471075-EDA**

No.	QTY.	PART No.	DESCRIPTION
1.	1	471072-EDA	70-74 CHALNGR/CUDA w/o AC CNTRL PNL BRKT ASM
2.	1	246112-PUA	70-74 CHALNGR/CUDA PC BOARD ASM
3.	3	49455-VUI	KNOB CONTROL (STD LEVER)
4.	1	180043-SSR	128/198 ID x 313 OD x .500" LG NYLON SPACER
5.	1	180041-SSR	128/198 ID x 313 OD x .375" LG NYLON SPACER
6.	4	18235-VUB	8 x 1/2" PH PANHEAD SCREWS
7.	2	181075-PSR	8 x 1" PH PANHEAD SCREWS
8.	1	497074-LMA	70-74 MOPAR LOUVER ASM
9.	2	18979-VUB	#8 J-NUT
10.	1	232007-VUR	GEN IV UNIVERSAL CONTROL HARNESS (TYPE C)

**** BEFORE BEGINNING INSTALLATION OPEN ALL PACKAGES AND CHECK CONTENTS OF SHIPMENT. PLEASE REPORT ANY SHORTAGES DIRECTLY TO VINTAGE AIR WITHIN 15 DAYS. AFTER 15 DAYS, VINTAGE AIR WILL NOT BE RESPONSIBLE FOR MISSING OR DAMAGED ITEMS.**





CONTROL PANEL CONVERSION INSTRUCTIONS FOR 1970-74 CHALLENGER/CUDA w/o AC

REMOVING OEM CONTROL PANEL

- DROP STEERING COLUMN TO EASE INSTALLATION
- REMOVE THE BOTTOM PORTION OF DASH. (RETAIN) SEE FIGURE 1 BELOW.

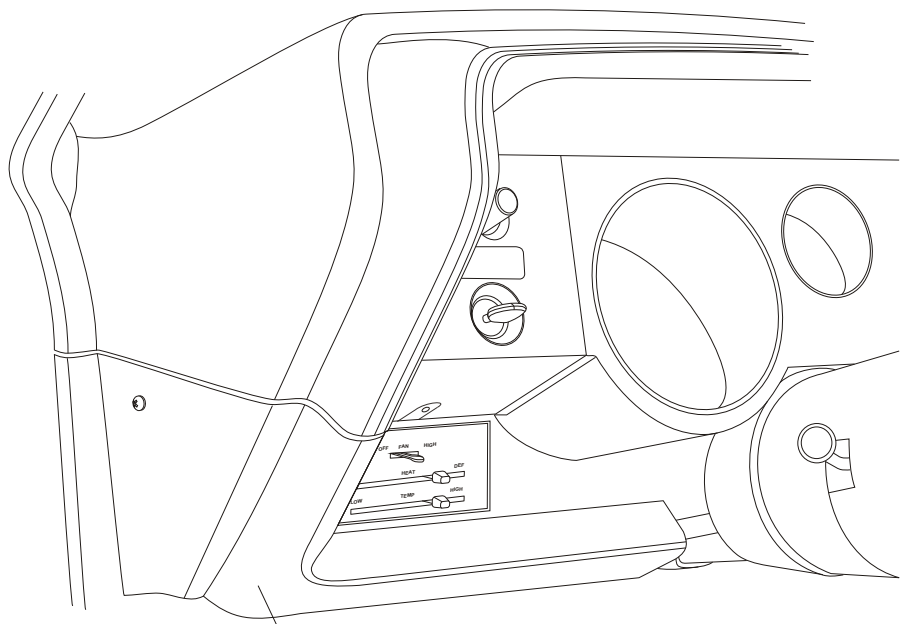
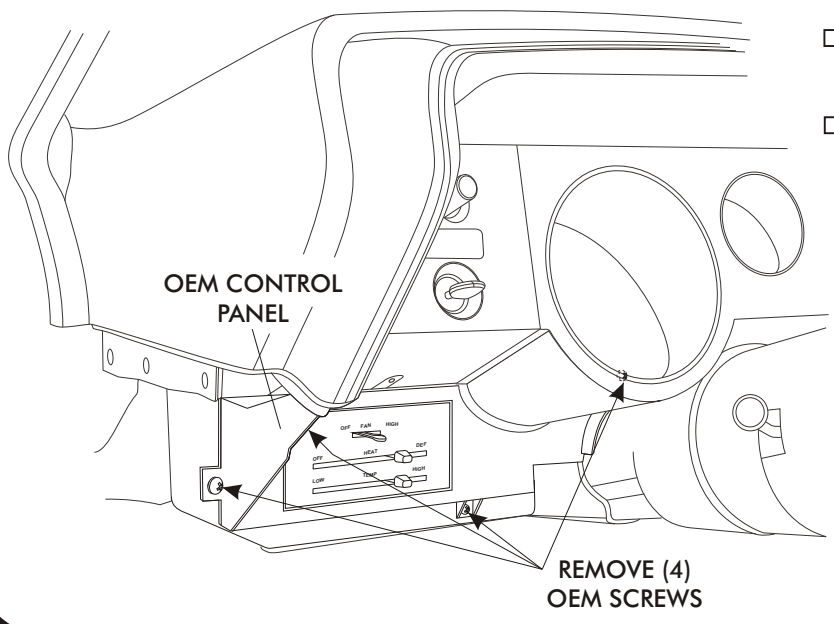


FIGURE 1



- DISCONNECT WIRES FROM BACK OF FAN SWITCH AND THE CONTROL LEVER CABLES.
- REMOVE OEM CONTROL PANEL. (DISCARD) SEE FIGURE 2 BELOW

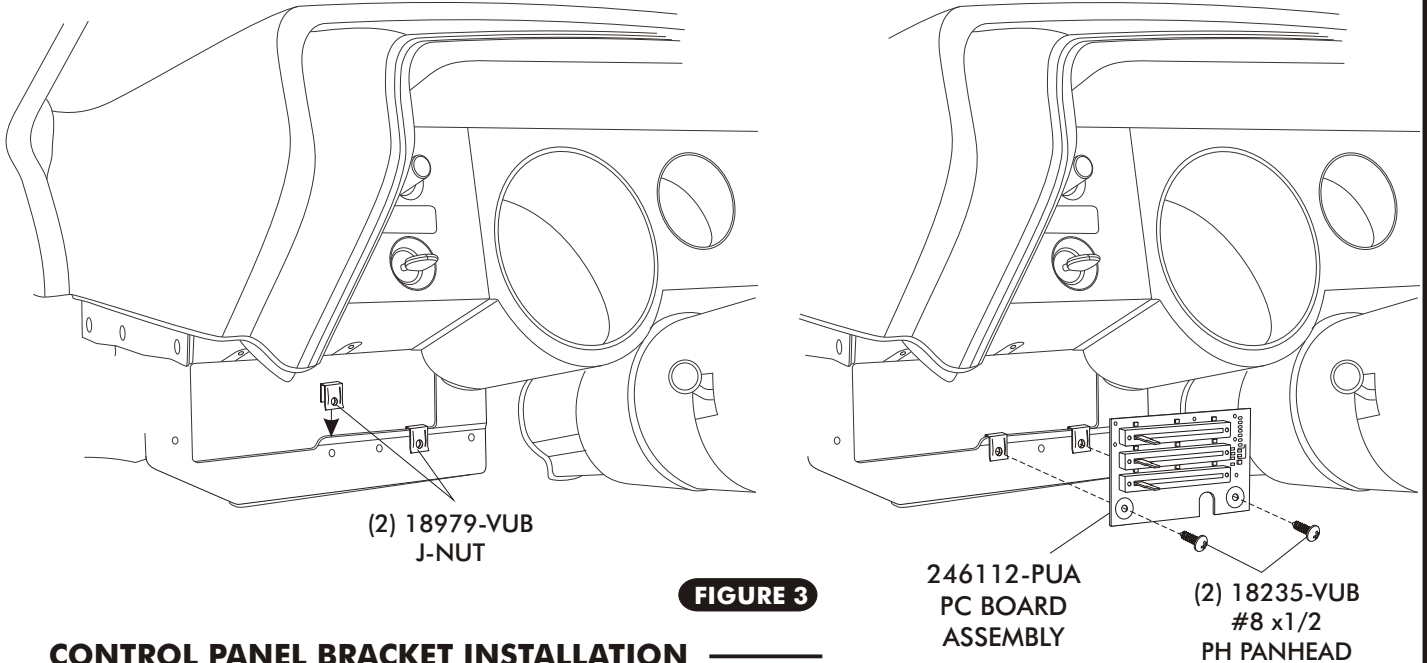
FIGURE 2



1970-74 CHALNGR/CUDA w/o AC CNTRL PNL

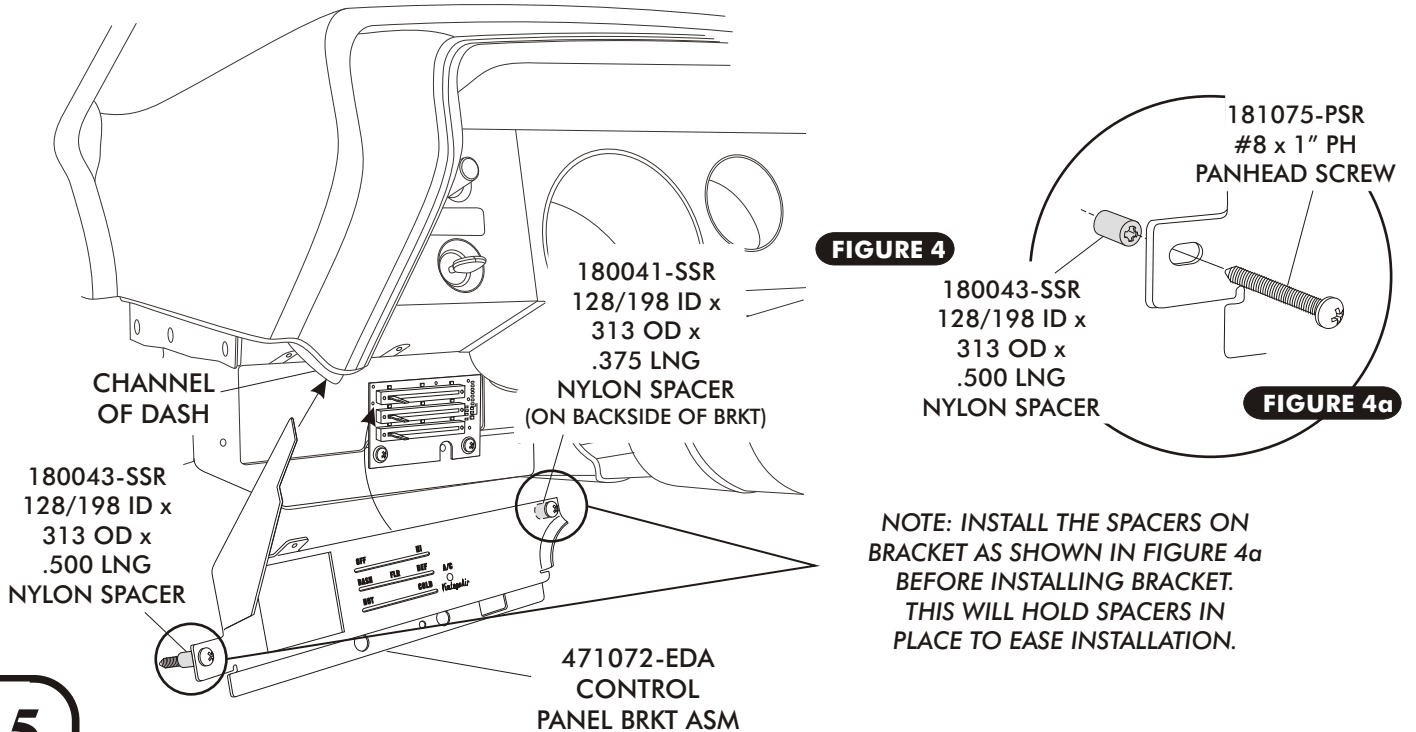
CONTROL PANEL INSTALLATION

- INSTALL (2) J-NUTS ON DASH. SEE FIGURE 3 BELOW.
- USING (2) #8 x 1/2" PH PANHEAD SCREWS, INSTALL PC BOARD ASM AS SHOWN IN FIGURE 3 BELOW.



CONTROL PANEL BRACKET INSTALLATION

- INSTALL CONTROL PANEL BRACKET ASM SEE FIGURE 4 & 4a BELOW. NOTE: LEFT SIDE OF BRACKET INSTALLS IN CHANNEL OF THE DASH AS IN OEM PANEL.

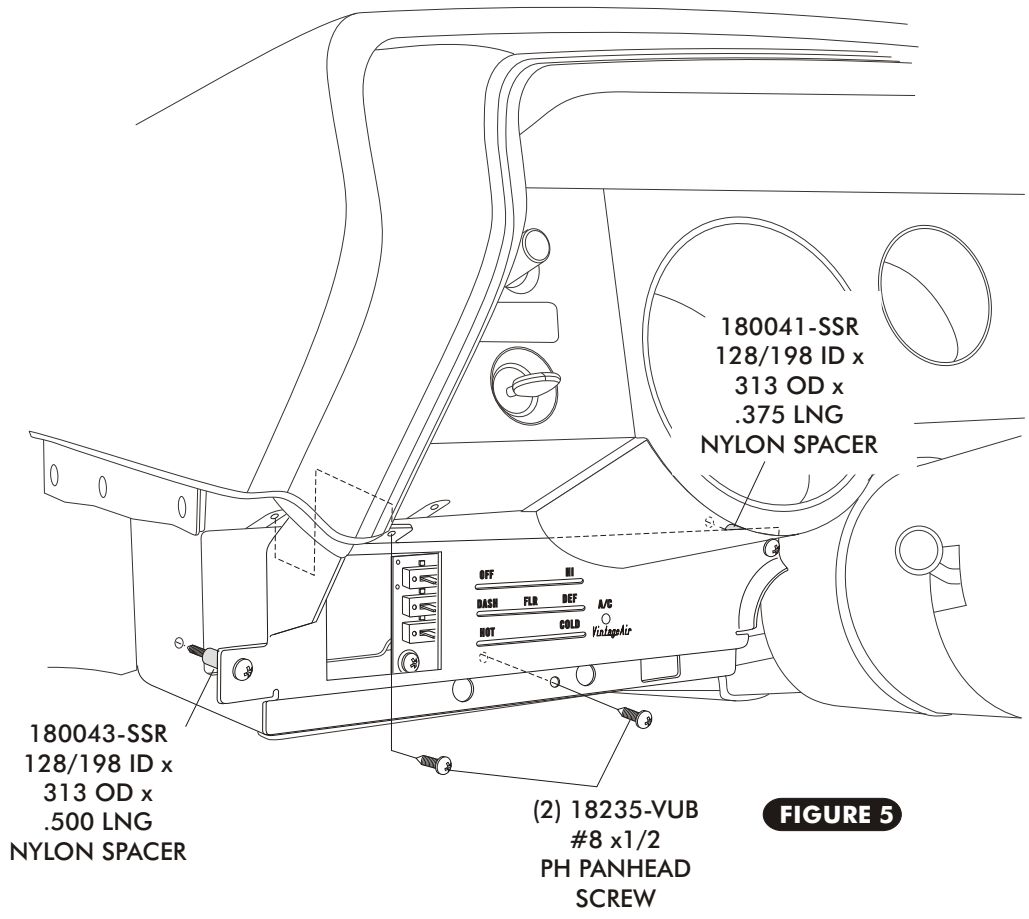


NOTE: INSTALL THE SPACERS ON BRACKET AS SHOWN IN FIGURE 4a BEFORE INSTALLING BRACKET. THIS WILL HOLD SPACERS IN PLACE TO EASE INSTALLATION.

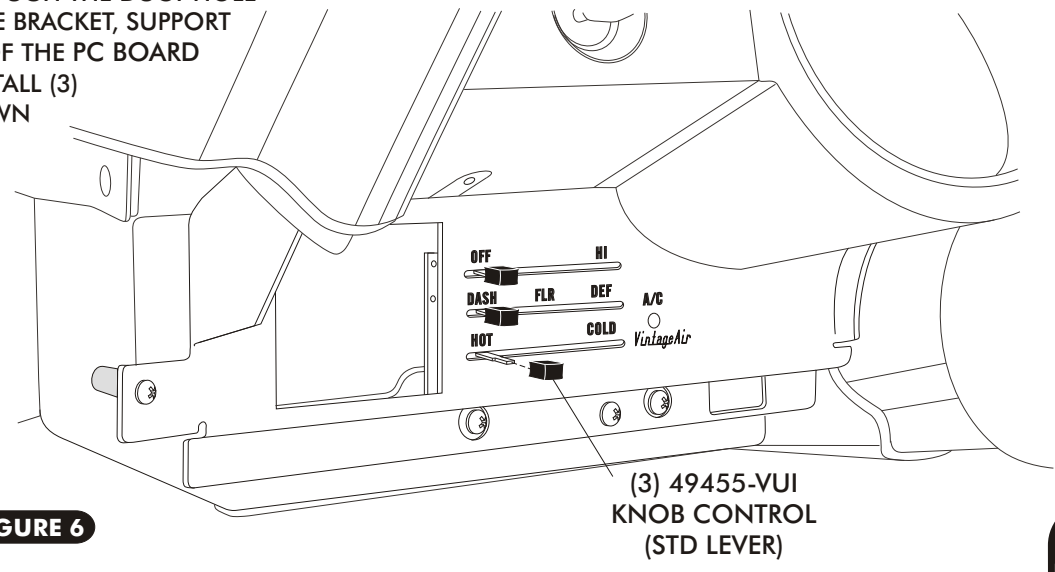


1970-74 CHALNGR/CUDA w/o AC CNTRL PNL

- SECURE CONTROL PANEL BRACKET AS SHOWN, SEE FIGURE 5 BELOW.
NOTE: INSTALL THE RIGHT SIDE OF THE CONTROL PANEL BRACKET LOCATED ON THE OTHER SIDE OF THE SPEEDOMETER FIRST.



- REACHING THROUGH THE DUCT HOLE OPENING IN THE BRACKET, SUPPORT THE BACKSIDE OF THE PC BOARD ASSEMBLY. INSTALL (3) KNOBS AS SHOWN IN FIGURE 6 BELOW.





1970-74 CHALNGR/CUDA w/o AC CNTRL PNL

CONTROL HARNESS

- FROM UNDER THE DASH PLUG-IN THE CONTROL PANEL WIRING HARNESS AS SHOWN IN FIGURE 7 BELOW.

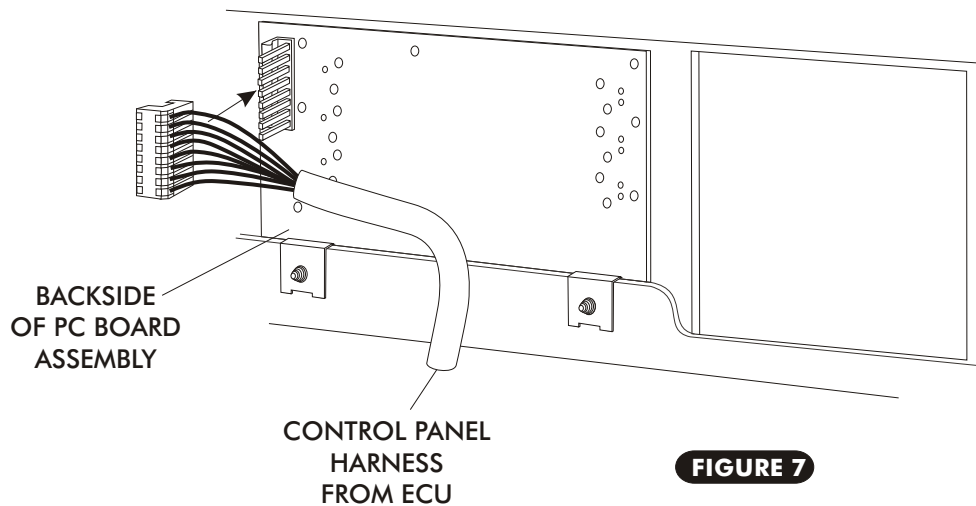


FIGURE 7

LOUVER INSTALLATION

- INSTALL DRIVER SIDE LOUVER AS SHOWN IN FIGURE 8 BELOW.

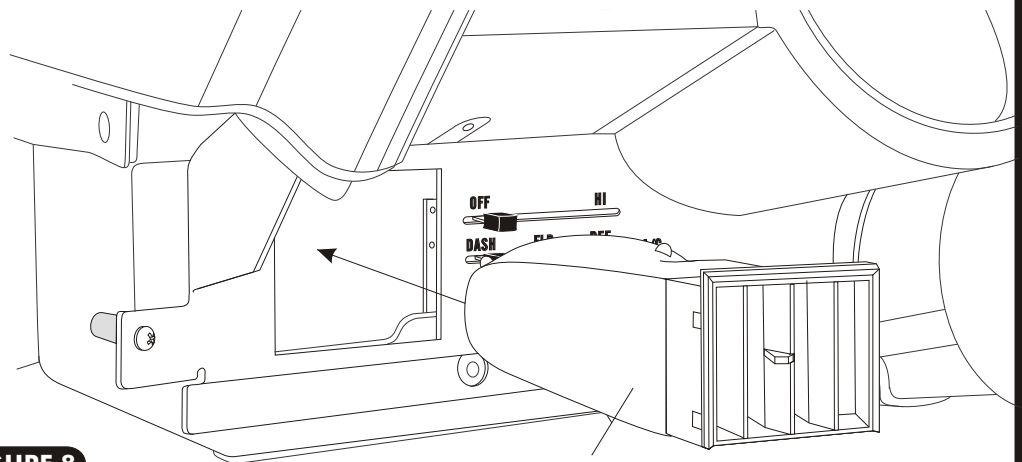


FIGURE 8

DRIVER SIDE LOUVER

DASH INSTALLATION

- USING OEM SCREWS, REINSTALL BOTTOM PORTION OF DASH AS SHOWN IN FIGURE 9 BELOW.

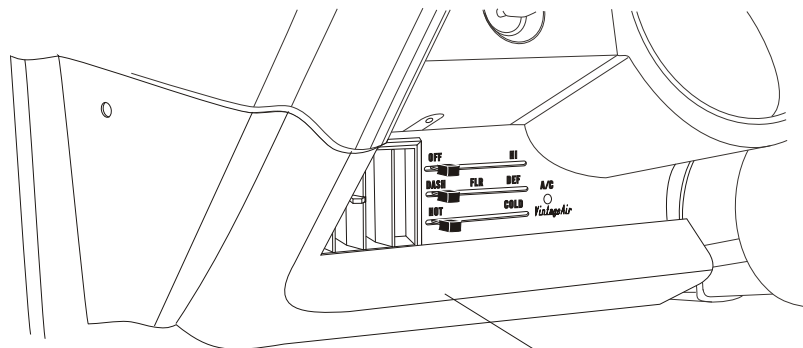


FIGURE 9

DASH



1970-74 CHALNGR/CUDA w/o AC CNTRL PNL

CONTROL KIT 471075-EDA

CONTROL KIT PACKING LIST

No.	QTY.	PART No.	DESCRIPTION
1.	1	471072-EDA	70-74 CHALNGR/CUDA w/o AC CNTRL PNL BRKT ASM
2.	1	246112-PUA	70-74 CHALNGR/CUDA PC BOARD ASM
3.	3	49455-VUI	KNOB CONTROL (STD LEVER)
4.	1	180043-SSR	128/198 ID x 313 OD x .500" LG NYLON SPACER
5.	1	180041-SSR	128/198 ID x 313 OD x .375" LG NYLON SPACER
6.	4	18235-VUB	8 x 1/2" PH PANHEAD SCREWS
7.	2	181075-PSR	8 x 1" PH PANHEAD SCREWS
8.	1	497074-LMA	70-74 MOPAR LOUVER ASM
9.	2	18979-VUB	#8 J-NUT
10.	1	232007-VUR	GEN IV UNIVERSAL CONTROL HARNESS (TYPE C)

CHECKED BY: _____
 PACKED BY: _____
 DATE: _____

