



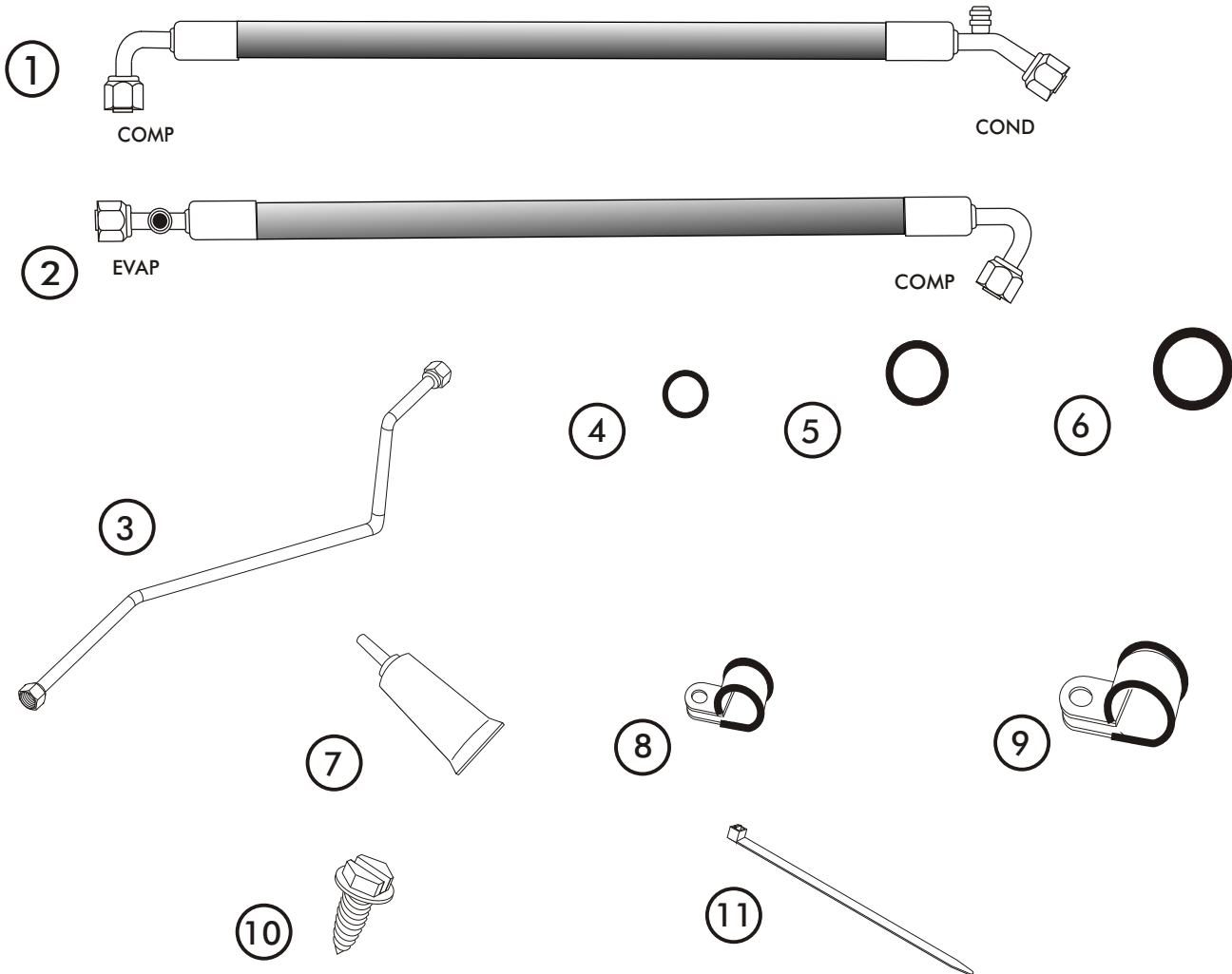
1970-74 CHALLENGER/CUDA w/o AC HK 134a STD

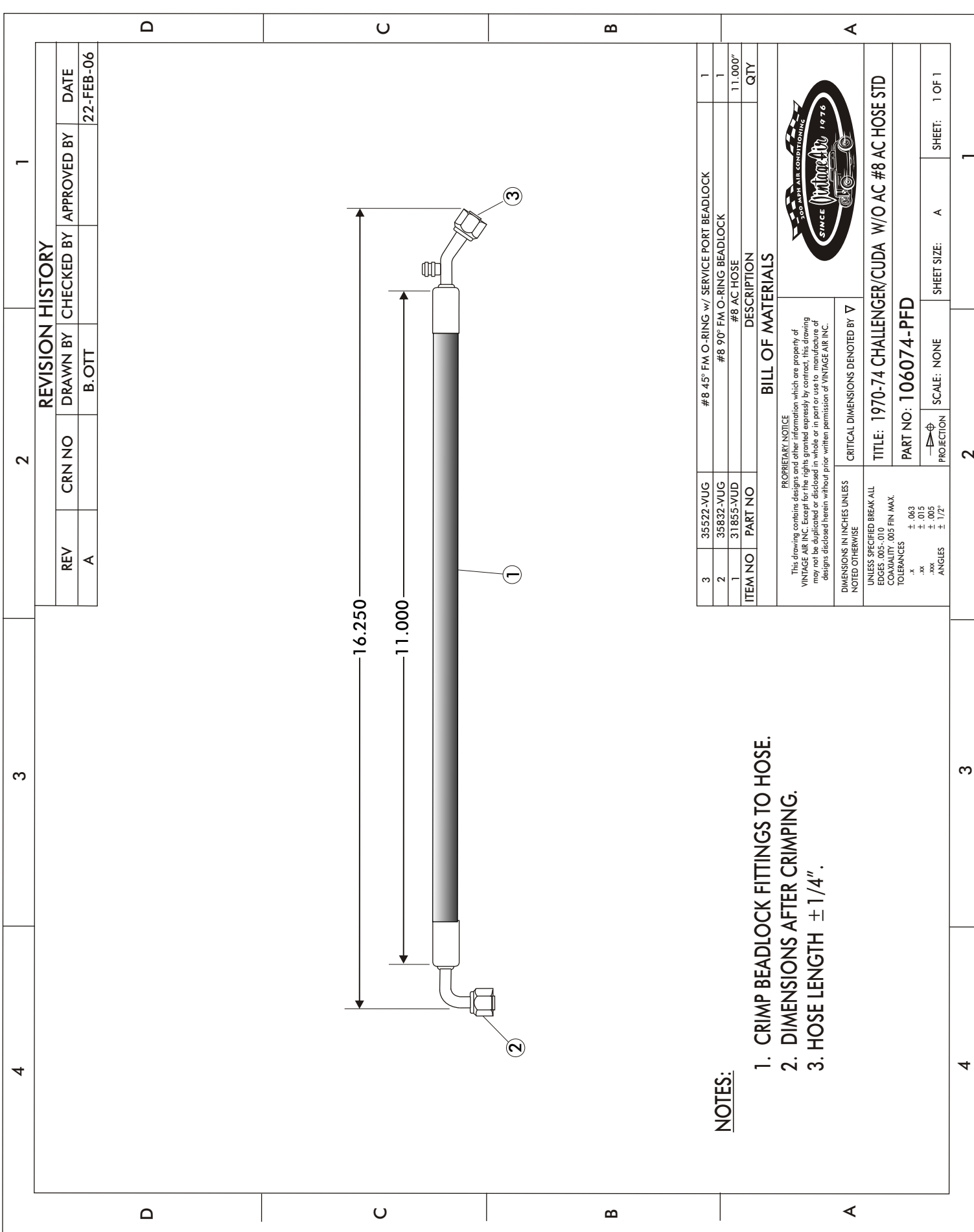
HOSE KIT PACKING LIST

**HOSE KIT
531073-PMA**

No.	QTY.	PART No.	DESCRIPTION	
1.	1	106074-PFD	70-74 CHALNGR/CUDA W/O AC #8 AC HOSE STD	_____
2.	1	106075-PFS	70-74 CHALNGR/CUDA W/O AC #10 AC HOSE STD	_____
3.	1	101009-EFL	70-74 CHALNGR/CUDA W/O AC #6 EVAP/CORE HRDLN	_____
4.	2	33857-VUF	#6 O-RING	_____
5.	2	33858-VUF	#8 O-RING	_____
6.	2	33859-VUF	#10 O-RING	_____
7.	1	41117-VUP	REFRIGERANT OIL TUBE	_____
8.	1	31600-VUD	#2 ADEL CLAMP	_____
9.	1	31601-VUD	#10 ADEL CLAMP	_____
10.	1	18247-VUB	#10 x 1/2 SHEETMETAL SCREW	_____
11.	4	21300-VUP	11" BLK TIE WRAP	_____

CHECKED BY: _____
 PACKED BY: _____
 DATE: _____





REVISION HISTORY

REV	CRN NO	DRAWN BY	CHECKED BY	APPROVED BY	DATE
A		B.OTT			22-FEB-06

NOTES:

1. CRIMP BEADLOCK FITTINGS TO HOSE.
2. DIMENSIONS AFTER CRIMPING.
3. HOSE LENGTH $\pm 1/4"$.

ITEM NO	PART NO	DESCRIPTION	QTY
3	35522-YUG	#8 45° FM O-RING w/ SERVICE PORT BEADLOCK	1
2	35832-YUG	#8 90° FM O-RING BEADLOCK	1
1	31855-VUD	#8 AC HOSE	11.000"

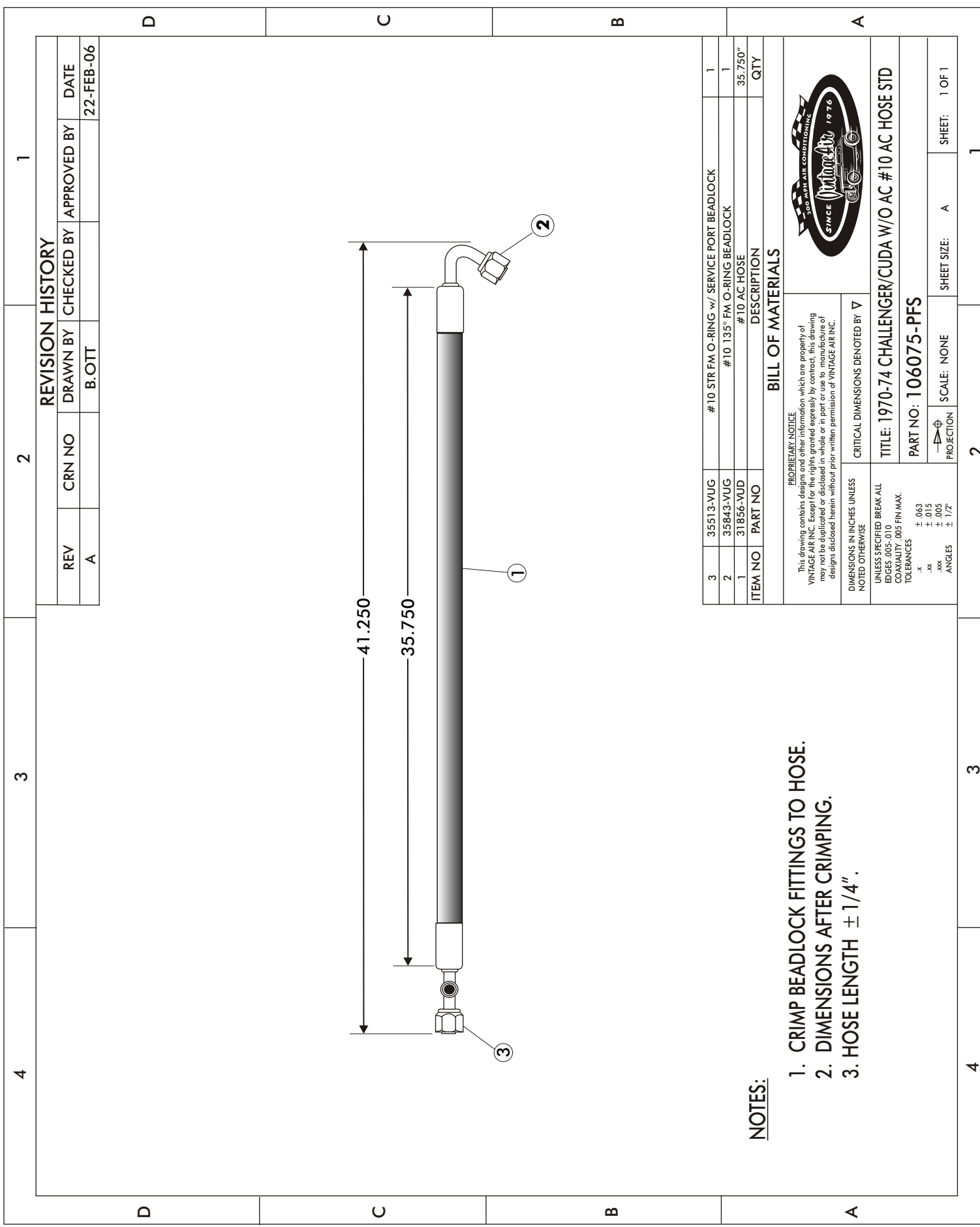
BILL OF MATERIALS

PROPRIETARY NOTICE
 This drawing contains designs and other information which are property of VINTAGE AIR INC. Except for the rights granted expressly by contract, this drawing may not be duplicated or disclosed in whole or in part or use to manufacture of designs disclosed herein without prior written permission of VINTAGE AIR INC.



DIMENSIONS IN INCHES UNLESS NOTED OTHERWISE	
UNLESS SPECIFIED BREAK ALL EDGES .005-.010	
COAXIALITY .005 FIN MAX.	
TOLERANCES	
XX	$\pm .063$
XX	$\pm .015$
XXX	$\pm .005$
ANGLES	$\pm 1/2^\circ$

CRITICAL DIMENSIONS DENOTED BY ∇	
TITLE: 1970-74 CHALLENGER/CUDA W/O AC #8 AC HOSE STD	
PART NO: 106074-PFD	
PROJECTION	SHEET SIZE: A
SCALE: NONE	SHEET: 1 OF 1



REVISION HISTORY

REV	CRN NO	DRAWN BY	CHECKED BY	APPROVED BY	DATE
A		B.OTT			22-FEB-06

NOTES:

1. CRIMP BEADLOCK FITTINGS TO HOSE.
2. DIMENSIONS AFTER CRIMPING.
3. HOSE LENGTH $\pm 1/4"$.

ITEM NO	PART NO	DESCRIPTION	QTY
3	35513-VUG	#10 STR FM O-RING w/ SERVICE PORT BEADLOCK	1
2	35843-VUG	#10 135° FM O-RING BEADLOCK	1
1	31856-VUD	#10 AC HOSE	35.750"

BILL OF MATERIALS

PROPRIETARY NOTICE
 This drawing contains designs and other information which are property of VINTAGE AIR INC. Except for the rights granted expressly by contract, this drawing may not be duplicated or disclosed in whole or in part or use to manufacture of designs disclosed herein without prior written permission of VINTAGE AIR INC.



CRITICAL DIMENSIONS DENOTED BY ∇

UNLESS SPECIFIED BREAK ALL EDGES .005-.010 CORNER RADIUS .003 FIN MAX. TOLERANCES
 .X ± .043
 .XX ± .015
 .XXX ± .005
 ANGLES ± 1/2°

TITLE: 1970-74 CHALLENGER/CUDA W/O AC #10 AC HOSE STD
 PART NO: 106075-PFS

PROJECTION	SCALE: NONE	SHEET SIZE: A	SHEET: 1 OF 1
------------	-------------	---------------	---------------