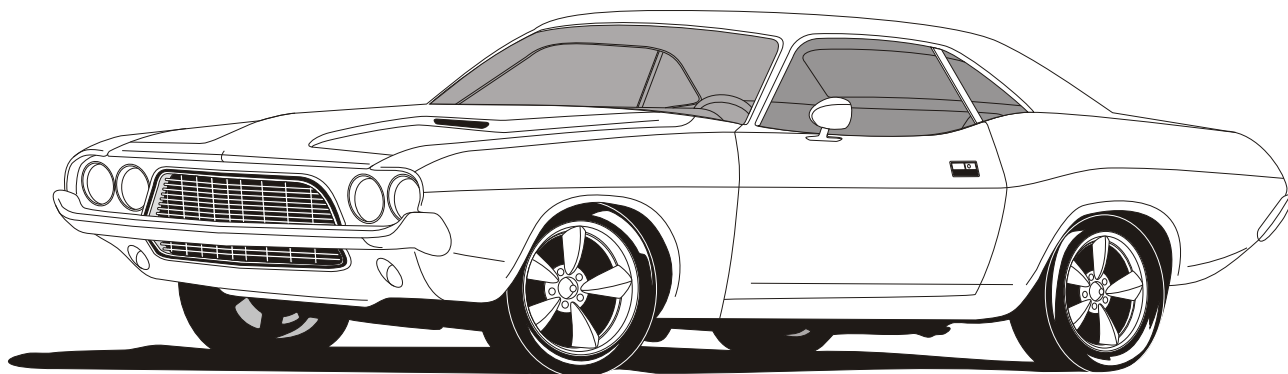




# 1970-74 CHALLENGER CUDA w/ AC CONDENSER KIT 057073-EDA



18865 GOLL ST. - SAN ANTONIO, TX. - 78266 ph.210-654-7171 - fax 210-654-3113



## ***Table of Contents***

### PAGES

1. COVER
2. TABLE OF CONTENTS
3. PACKING LIST/PARTS DISCLAIMER
4. INFORMATION PAGE
5. CONDENSER BRACKET INSTALLATION
6. HOOD LATCH REMOVAL
7. CONDENSER INSTALLATION
8. CONDENSER ASM. INSTALLATION CONT.
9. CONDENSER KIT PACKING LIST



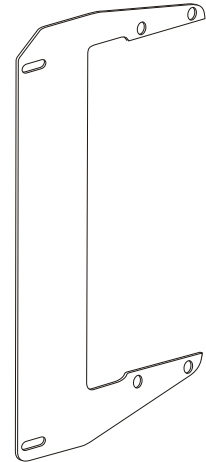
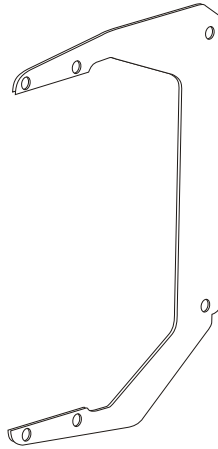
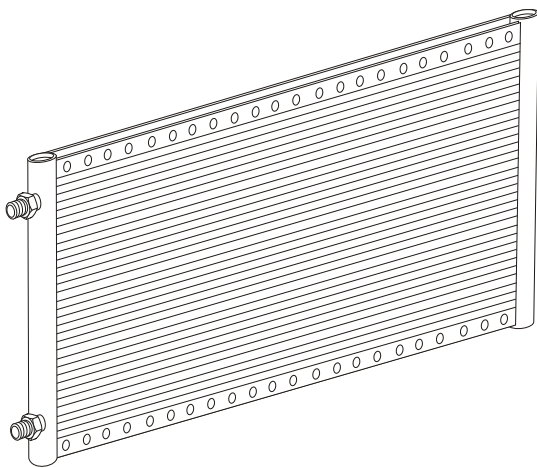
# 1970-74 CHALNGR/CUDA w/AC CONDENSER KIT

## CONDENSER KIT PACKING LIST

**CONDENSER KIT**  
057073-EDA

No.	QTY.	PART No.	DESCRIPTION
1.	1	03766-VUC	SUPER FLOW CONDENSER 14 x 22
2.	1	646000-PDB	70-74 CHALNGR/CUDA DS COND BRKT
3.	1	646001-PDB	70-74 CHALNGR/CUDA PS COND BRKT
4.	8	18260-VUB	10/24 NUT w/ STAR WASHER
5.	8	18249-VUB	10-24 x 3/8" PH PAN HEAD SCREW

**\*\* BEFORE BEGINNING INSTALLATION OPEN ALL PACKAGES AND CHECK CONTENTS OF SHIPMENT. PLEASE REPORT ANY SHORTAGES DIRECTLY TO VINTAGE AIR WITHIN 15 DAYS. AFTER 15 DAYS, VINTAGE AIR WILL NOT BE RESPONSIBLE FOR MISSING OR DAMAGED ITEMS.**



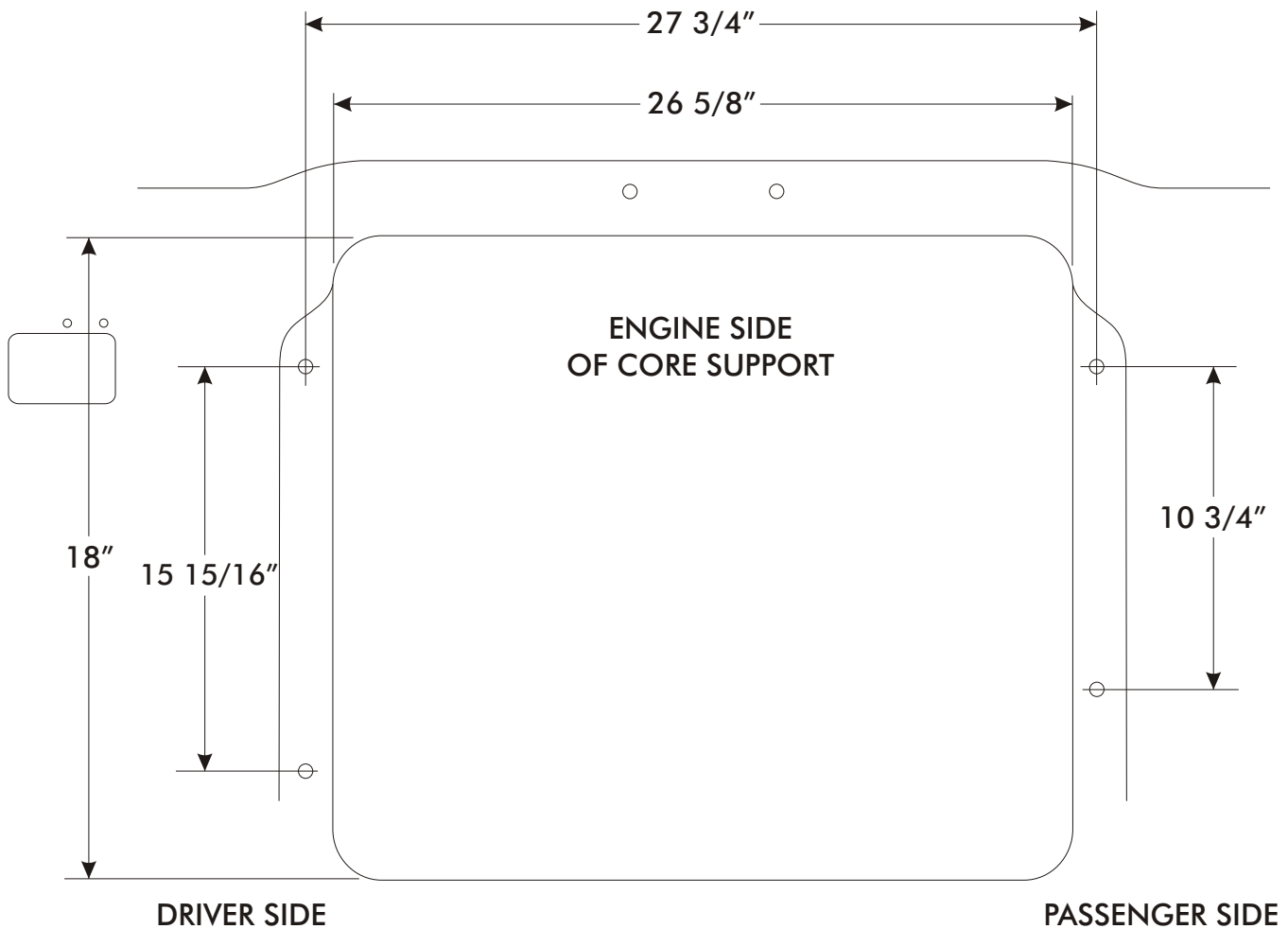
**NOTE: IMAGES MAY NOT DEPICT ACTUAL PARTS AND QUANTITIES. REFER TO PACKING LIST FOR ACTUAL PARTS AND QUANTITIES.**



# 1970-74 CHALLENGER/CUDA GEN IV

## IMPORTANT NOTICE-PLEASE READ

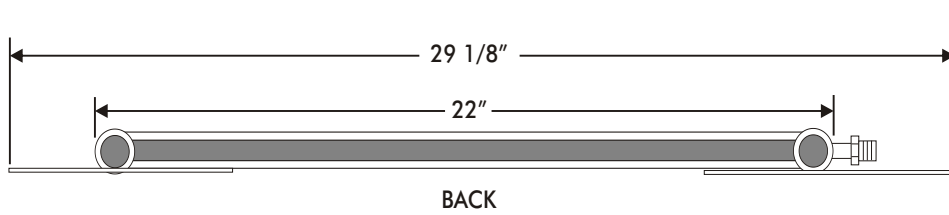
THIS KIT WAS DEVELOPED BASED ON THE MEASUREMENTS BELOW, WHICH WERE TAKEN FROM A 1973 CHALLENGER w/ FACTORY AIR CORE SUPPORT.





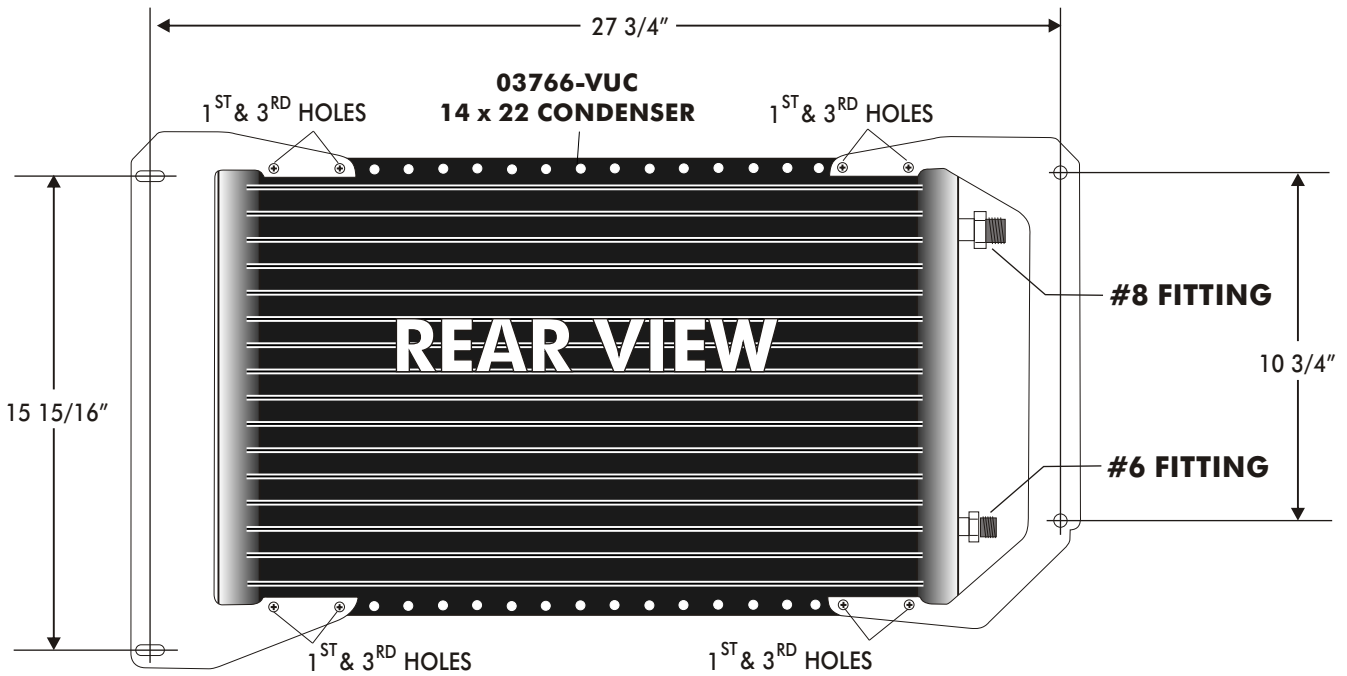
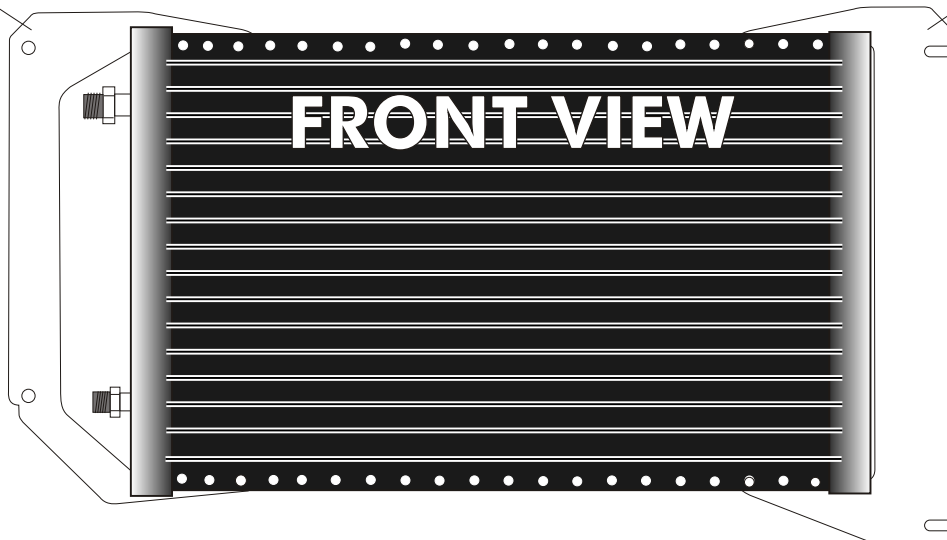
**CONDENSER BRACKET INSTALLATION**

TOP VIEW



646001-PDB  
PS COND  
BRKT

646000-PDB  
DS COND  
BRKT

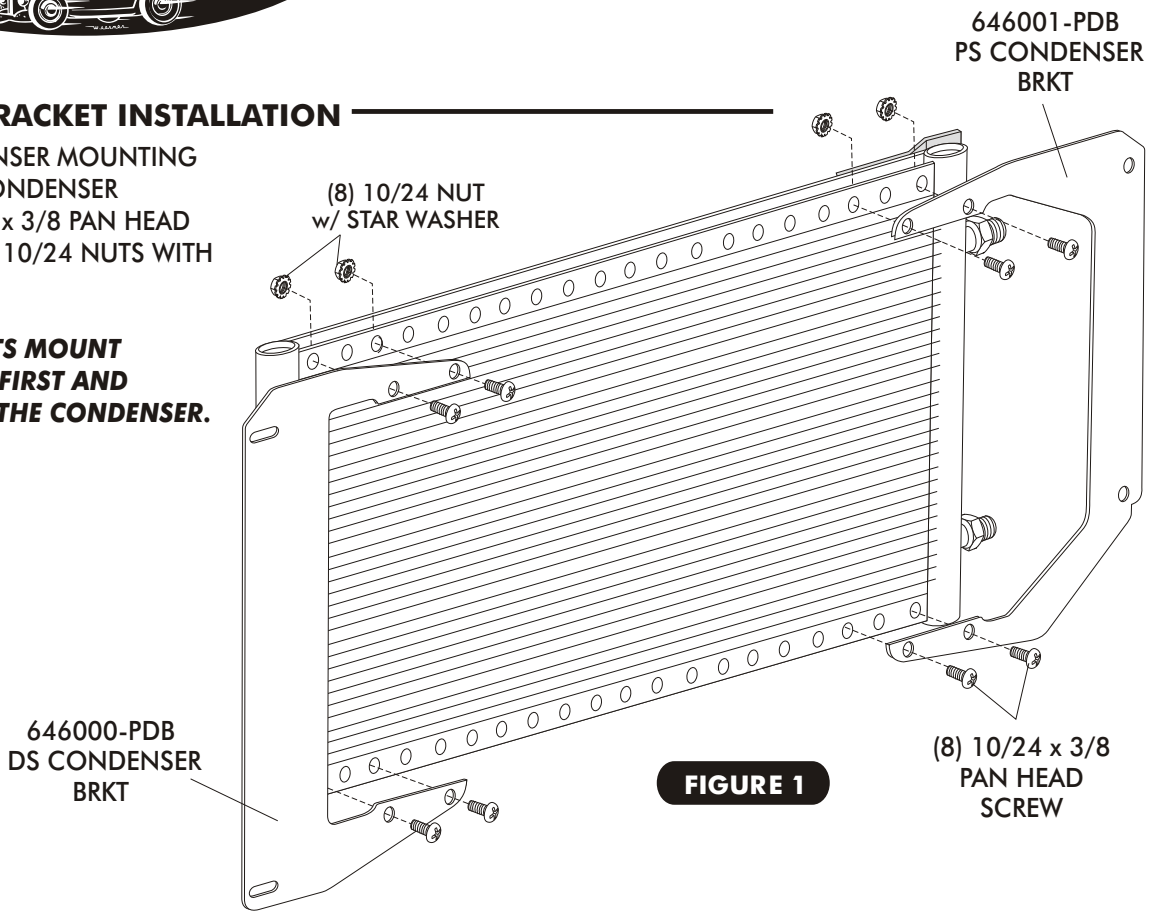




**MOUNTING BRACKET INSTALLATION**

- INSTALL CONDENSER MOUNTING BRACKET ON CONDENSER USING (8) 10/24 x 3/8 PAN HEAD SCREWS AND (8) 10/24 NUTS WITH STAR WASHERS. SEE FIGURE 1.

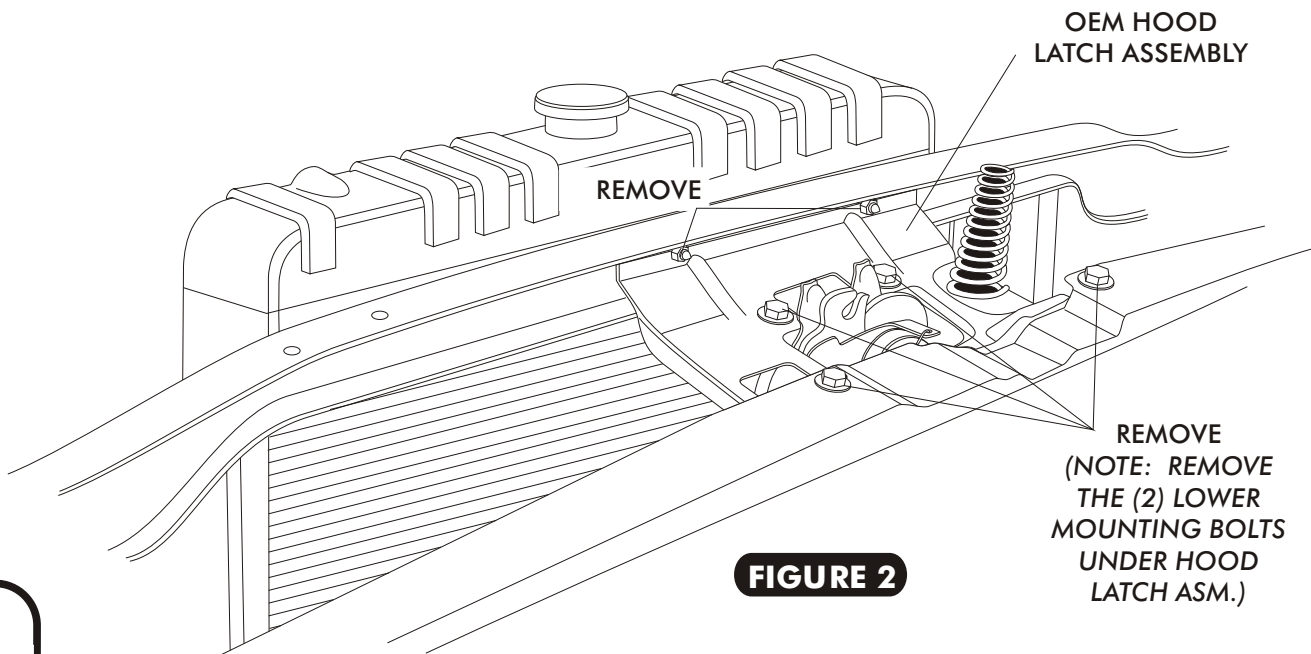
**NOTE: BRACKETS MOUNT THROUGH THE FIRST AND THIRD HOLE IN THE CONDENSER.**



**FIGURE 1**

**HOOD LATCH ASSEMBLY REMOVAL**

- REMOVE OEM HOOD LATCH ASSEMBLY AND HARDWARE AS SHOWN BELOW IN FIGURE 2. (RETAIN)

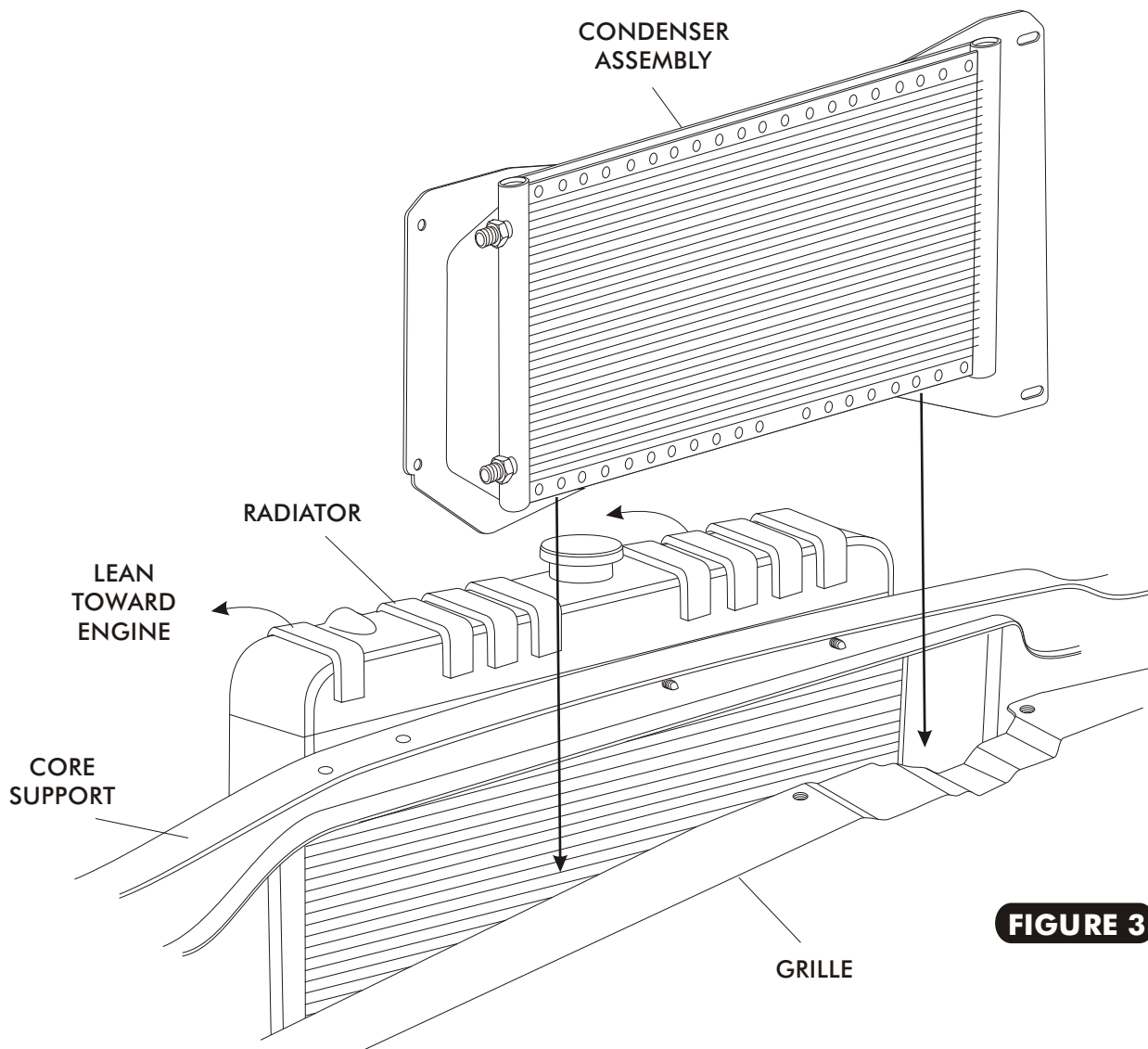


**FIGURE 2**



## CONDENSER ASSEMBLY INSTALLATION

- REMOVE THE (4) RADIATOR MOUNTING BOLTS AND RETAIN.
- LEAN THE RADIATOR TOWARD THE ENGINE
- INSTALL THE CONDENSER ASSEMBLY BETWEEN THE GRILLE AND CORE SUPPORT AS SHOWN IN FIGURE 3 BELOW.
- WITH THE CONDENSER ASSEMBLY BETWEEN THE GRILLE AND THE CORE SUPPORT, SLIDE THE CONDENSER ASSEMBLY TO THE RIGHT AND PASS THE CONDENSER ASSEMBLY THROUGH THE OPENING IN THE CORE SUPPORT BETWEEN THE RADIATOR AND THE CORE SUPPORT.
- WITH THE LEFT SIDE OF THE CONDENSER ASSEMBLY BETWEEN THE RADIATOR AND THE CORE SUPPORT, SLIDE THE CONDENSER ASSEMBLY TO THE LEFT AND PLACE THE RIGHT SIDE THE CONDENSER ASSEMBLY THROUGH THE OPENING IN THE CORE SUPPORT BETWEEN THE RADIATOR AND THE CORE SUPPORT.

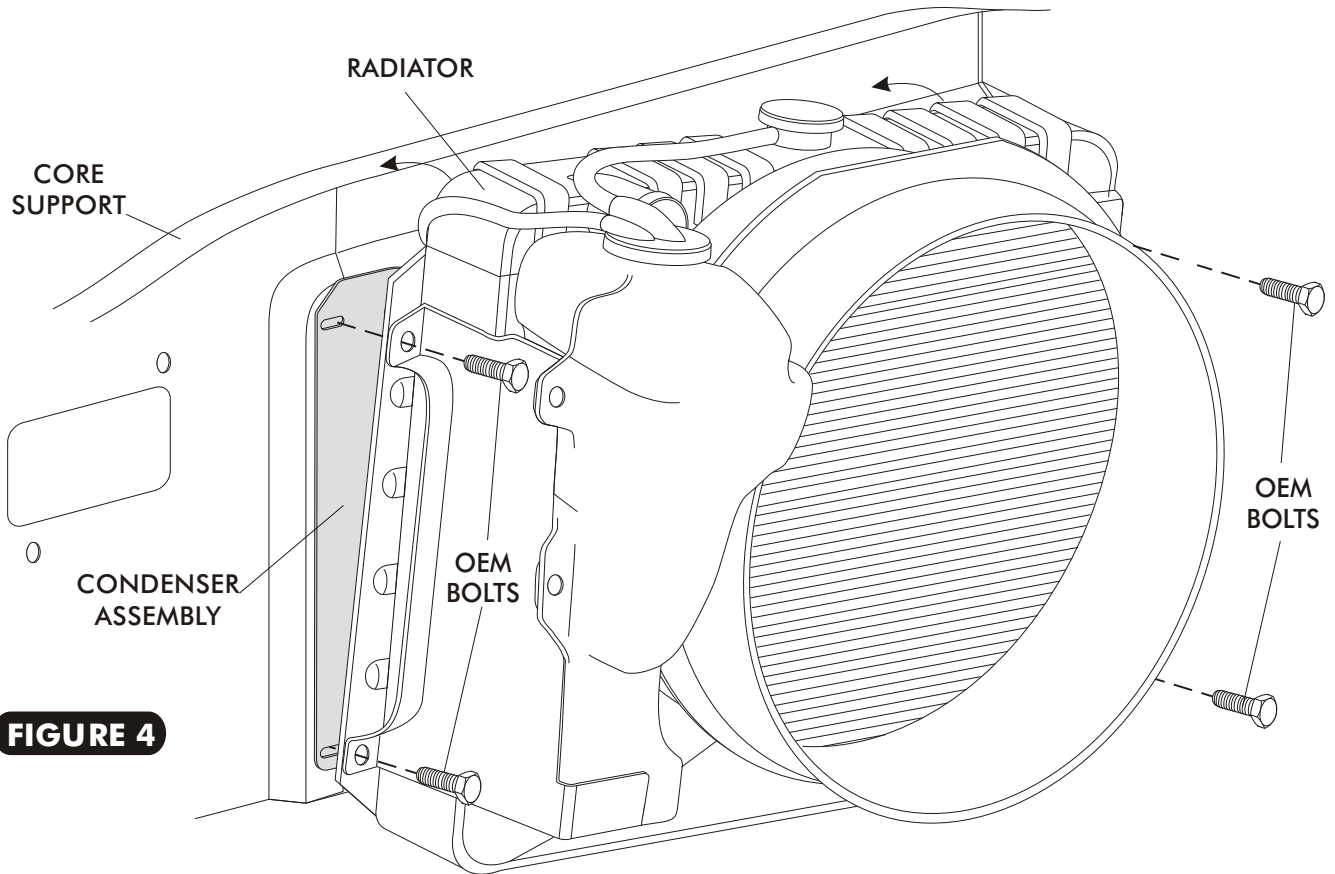


**FIGURE 3**



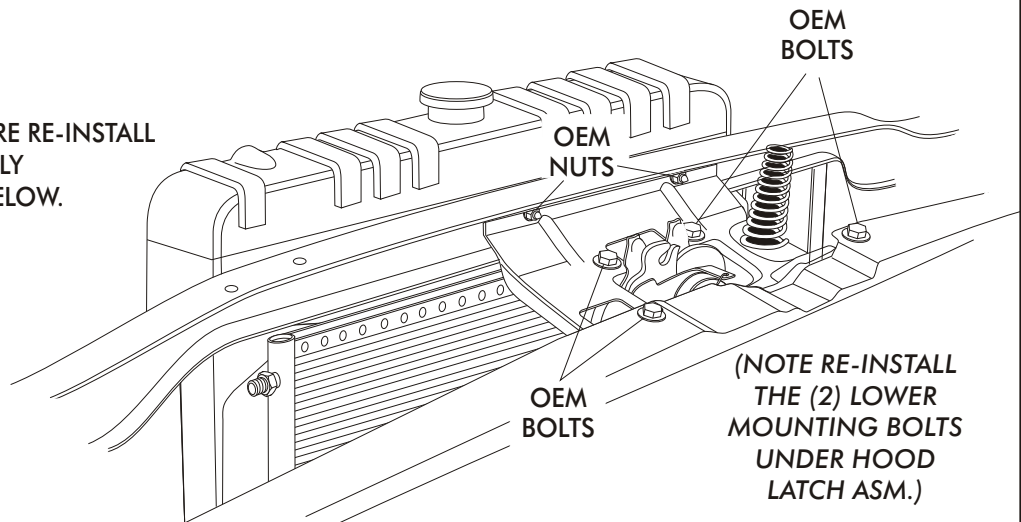
**CONDENSER ASSEMBLY INSTALLATION CONT.**

- USING THE OEM HARDWARE SECURE THE CONDENSER ASSEMBLY BETWEEN THE RADIATOR AND THE CORE SUPPORT SEE FIGURE 4 BELOW



**FIGURE 4**

- USING THE OEM HARDWARE RE-INSTALL THE HOOD LATCH ASSEMBLY AS SHOWN IN FIGURE 5 BELOW.



**FIGURE 5**







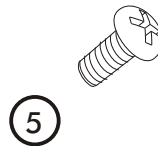
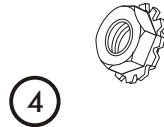
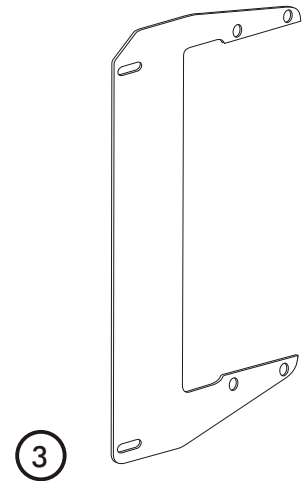
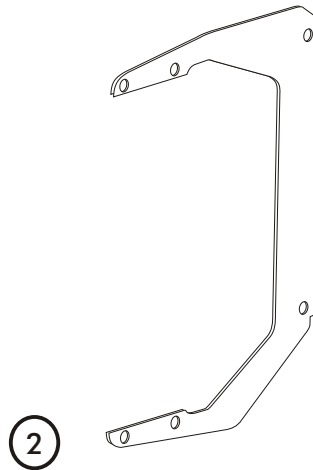
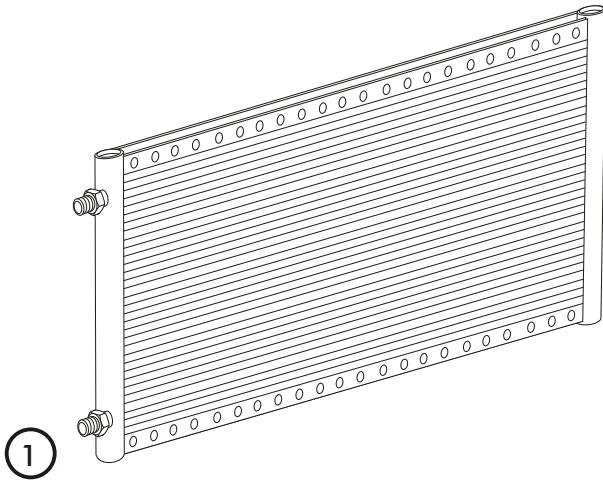
# 1970-74 CHALNGR/CUDA w/AC CONDENSER KIT

## CONDENSER KIT PACKING LIST

**CONDENSER KIT**  
057073-EDA

No.	QTY.	PART No.	DESCRIPTION	
1.	1	03766-VUC	SUPER FLOW CONDENSER 14 x 22	_____
2.	1	646000-PDB	70-74 CHALNGR/CUDA DS COND BRKT	_____
3.	1	646001-PDB	70-74 CHALNGR/CUDA PS COND BRKT	_____
4.	8	18260-VUB	10/24 NUT w/ STAR WASHER	_____
5.	8	18249-VUB	10-24 x 3/8" PH PAN HEAD SCREW	_____

CHECKED BY: \_\_\_\_\_  
 PACKED BY: \_\_\_\_\_  
 DATE: \_\_\_\_\_



**NOTE: IMAGES MAY NOT DEPICT ACTUAL PARTS AND QUANTITIES.  
 REFER TO PACKING LIST FOR ACTUAL PARTS AND QUANTITIES.**