



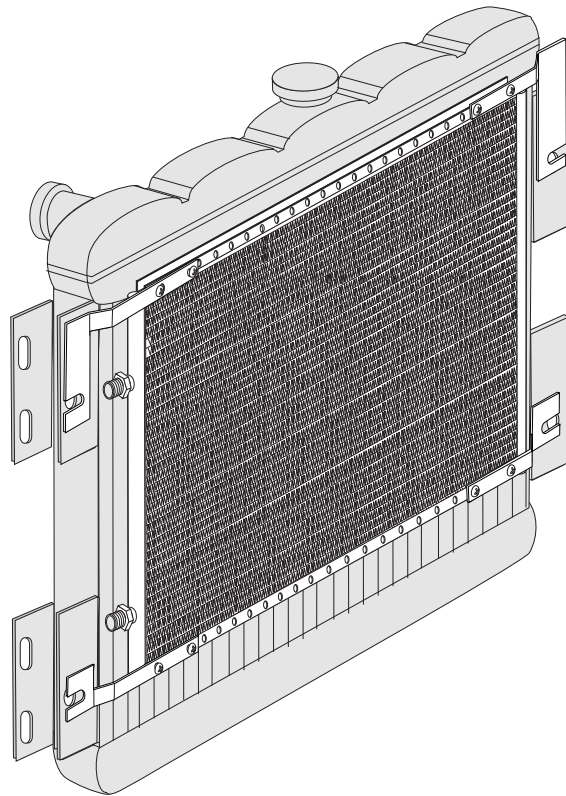
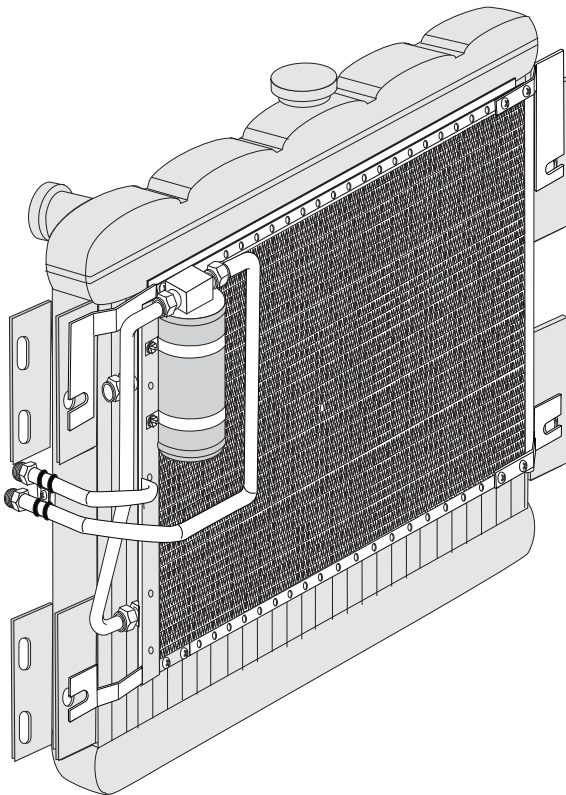
an ISO 9001:2008 Registered Company

1955-57 THUNDERBIRD

CONDENSER KITS

w/ & w/o DRIER

011055-PTA & 017055-PTA



18865 GOLL ST. SAN ANTONIO, TX 78266 ph: 210-654-7171 fax: 210-654-3113



www.vintageair.com

Table of Contents

PAGES

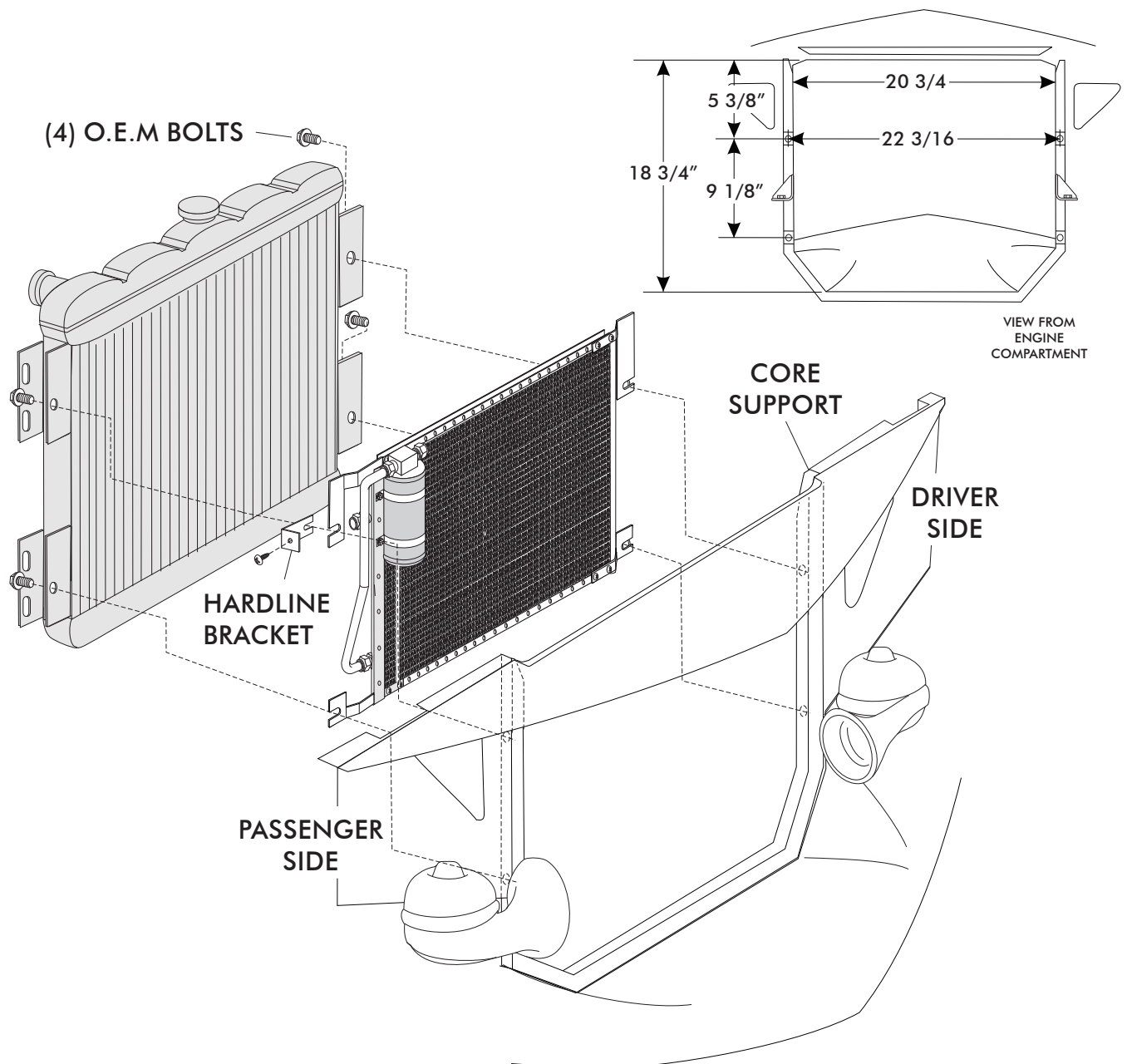
1. COVER
2. TABLE OF CONTENTS
3. CONDENSER INSTALLATION
4. HARDLINE INSTALLATION
5. PACKING LIST (WITH DRIER)
6. PACKING LIST (WITHOUT DRIER)



www.vintageair.com

CONDENSER INSTALLATION

- DISCONNECT BATTERY
- DRAIN RADIATOR FLUID
- REMOVE GRILLE
- REMOVE FAN SHROUD AND RADIATOR
- INSTALL THE CONDENSER BETWEEN THE RADIATOR AND CORE SUPPORT
- INSTALL RADIATOR. SECURE THE RADIATOR AND CONDENSER WITH (3) O.E.M. RADIATOR MOUNTING BOLTS, (2) LOWER BOLTS AND (1) UPPER DRIVER SIDE BOLT.





www.vintageair.com

HARDLINE INSTALLATION

- WITH THE RADIATOR AND CONDENSER IN PLACE, LUBRICATE THE #8 O-RING. SEE FIG. 2 BELOW. INSTALL THE #8 CONDENSER HARDLINE AND ROUTE THRU CORE SUPPORT. SEE FIG. 1 BELOW.
- LUBRICATE THE #6 O-RING. SEE FIGURE 2 BELOW. INSTALL THE #6 DRIER HARDLINE AND ROUTE THROUGH CORE SUPPORT. SEE FIG. 1 BELOW.
- INSTALL HARDLINE BRACKET BETWEEN THE CONDENSER AND RADIATOR (UPPER PASSENGER SIDE). SECURE WITH O.E.M RADIATOR MOUNTING BOLT.
- SECURE THE HARDLINES TO BRACKET WITH A 10/32 x 1/2 PAN HEAD SCREW AND NYLON LOCK-NUT.
- TIGHTEN ALL FITTINGS. SEE FIGURE 2.

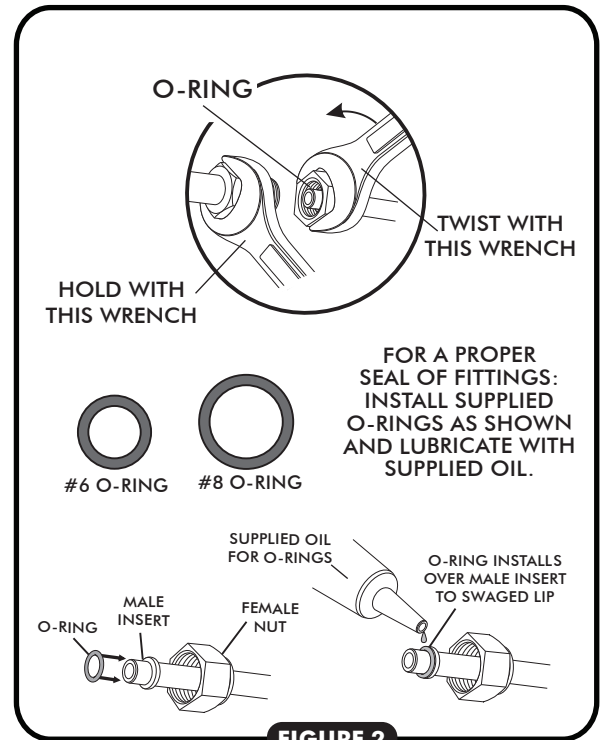
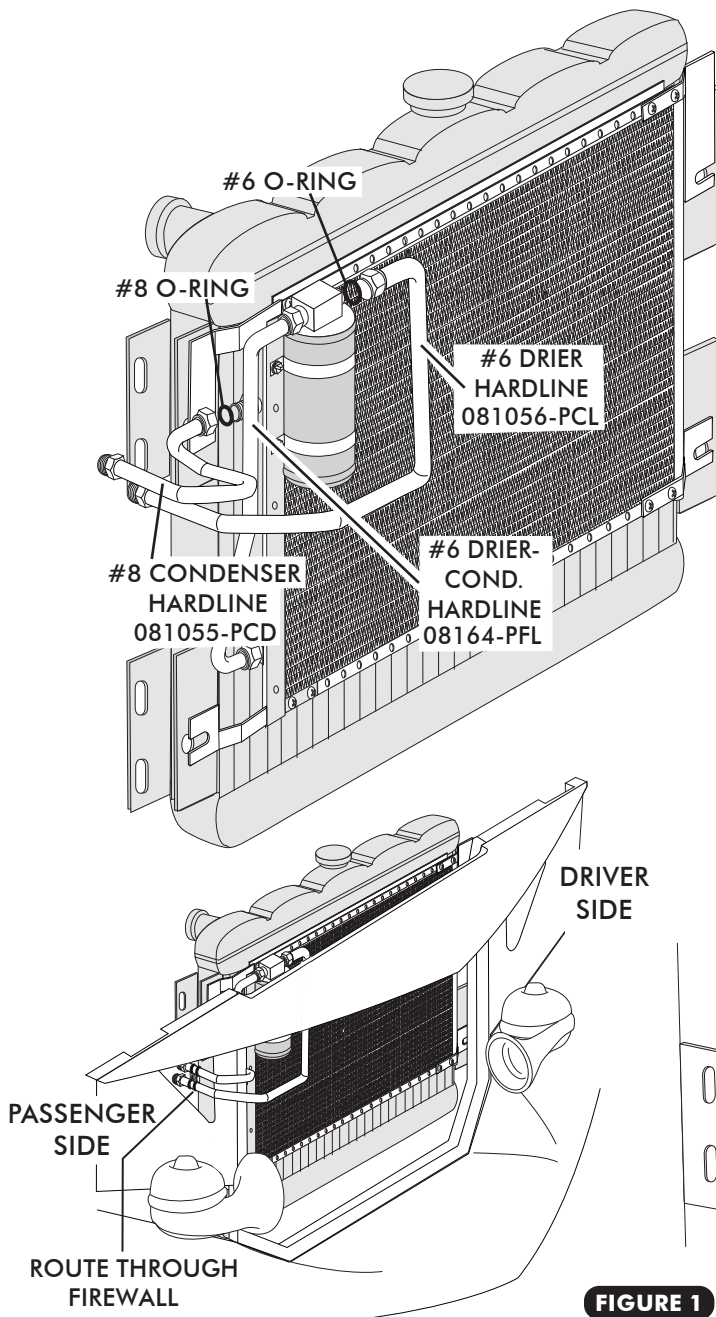


FIGURE 2

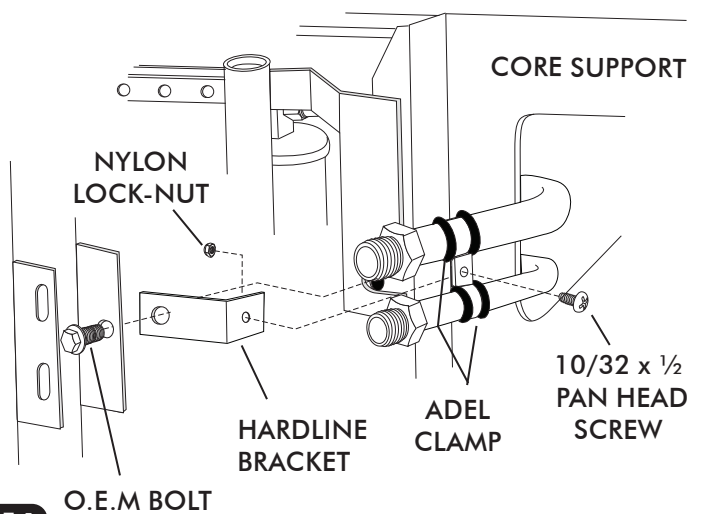


FIGURE 1

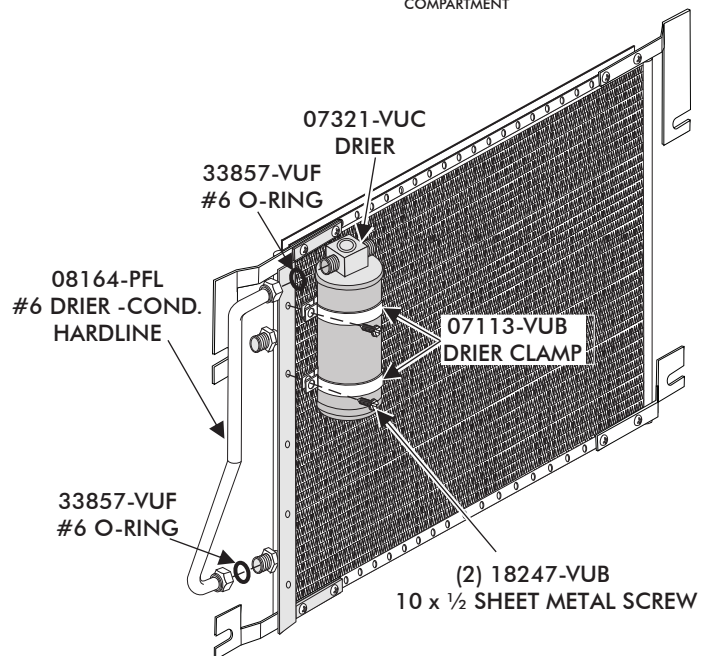
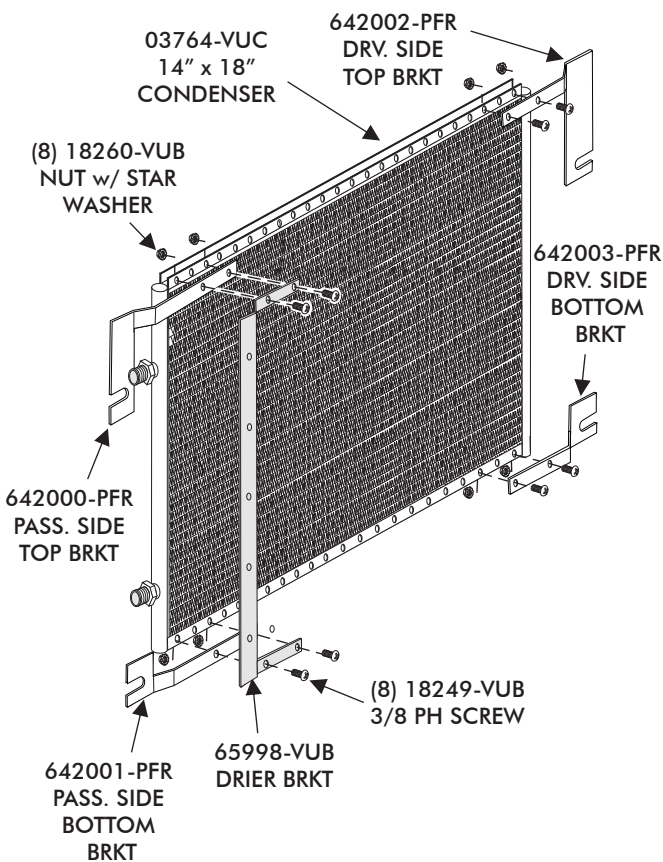
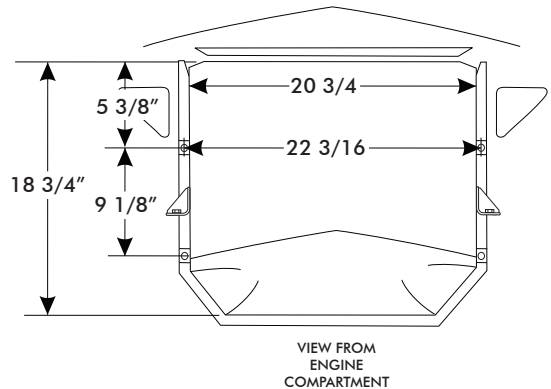


www.vintageair.com

**1955-57 THUNDERBIRD
w/ DRIER CONDENSER KIT PACKING LIST**

**CONDENSER KIT
011055-PTA**

No.	QTY.	PART No.	DESCRIPTION
1.	1	03764-VUC	14 x 18 PARALLEL FLOW CONDENSER
2.	1	642002-PFR	DRIVER SIDE TOP CONDENSER BRACKET
3.	1	642000-PFR	PASSENGER SIDE TOP CONDENSER BRACKET
4.	1	642003-PFR	DRIVER SIDE BOTTOM CONDENSER BRACKET
5.	1	642001-PFR	PASSENGER SIDE BOTTOM CONDENSER BRACKET
6.	1	08164-PFL	#6 ALUMINUM HARDLINE DRIER TO CONDENSER
7.	1	081056-PCL	#6 ALUMINUM HARDLINE DRIER TO CORE SUPPORT
8.	1	081055-PCD	#8 ALUMINUM HARDLINE CONDENSER TO CORE SUPPORT
9.	1	07321-VUC	DRIER
10.	2	07113-VUB	DRIER CLAMP
11.	8	18249-VUB	10/24 x 3/8" PAN-HEAD SCREWS
12.	8	18260-VUB	10/24 NUT w/ STAR WASHER
13.	3	33857-VUF	#6 O-RING
14.	1	33858-VUF	#8 O-RING
15.	2	18247-VUB	10 x 1/2 SHEET METAL SCREW
16.	1	18250-VUB	10/32 x 1/2" PAN HEAD SCREW
17.	1	640055-PFR	HARDLINE BRKT
18.	1	31600-VUD	#2 ADEL CLAMP
19.	1	31603-VUD	#4 ADEL CLAMP
20.	1	18147-VUB	10/32 NYLON LOCK-NUT
21.	1	65998-VUB	DRIER BRKT





www.vintageair.com

**1955-57 THUNDERBIRD
w/o DRIER CONDENSER KIT PACKING LIST**

**CONDENSER KIT
017055-PTA**

No.	QTY.	PART No.	DESCRIPTION
1.	1	03764-VUC	14 x 18 PARALLEL FLOW CONDENSER
2.	1	642002-PFR	DRIVER SIDE TOP CONDENSER BRACKET
3.	1	642000-PFR	PASSENGER SIDE TOP CONDENSER BRACKET
4.	1	642003-PFR	DRIVER SIDE BOTTOM CONDENSER BRACKET
5.	1	642001-PFR	PASSENGER SIDE BOTTOM CONDENSER BRACKET
6.	8	18249-VUB	10/24 x 3/8" PAN-HEAD SCREWS
7.	8	18260-VUB	10/24 NUT w/ STAR WASHER

