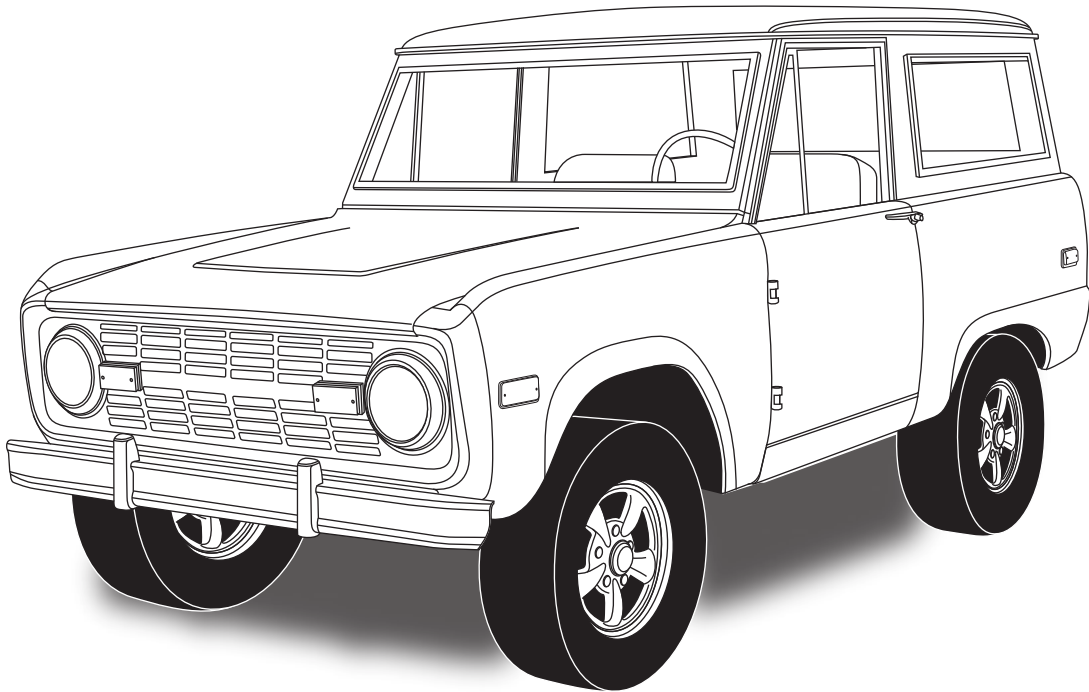




an ISO 9001:2008 Registered Company

# **1966-77 Ford Bronco**

*with 6-Cylinder Core Support  
Condenser Kit with Drier*  
**012004**



18865 Goll St. San Antonio, TX 78266 ph: 210-654-7171 fax: 210-654-3113



# Table of Contents

- 1. Cover**
- 2. Table of Contents**
- 3. Packing List/Parts Disclaimer**
- 4. Core Support Measurements**
- 5. Engine Compartment, Mounting Bracket Installation**  
*Figure 1*
- 6. Drier Bracket Installation, Hood Latch Assembly**  
*Figures 2 & 3*
- 7. Radiator Mounting Bracket Modification**  
*Figure 4*
- 8. Condenser Installation**  
*Figures 5 & 6*
- 9. Hardline and Drier Installation**  
*Figures 7 & 8*
- 10. Lubricating O-rings, Hardline and Binary Switch Installation**  
*Figures 9, 10 & 11*
- 11. Hardline Installation (Cont.)**  
*Figure 12*
- 12. Packing List**

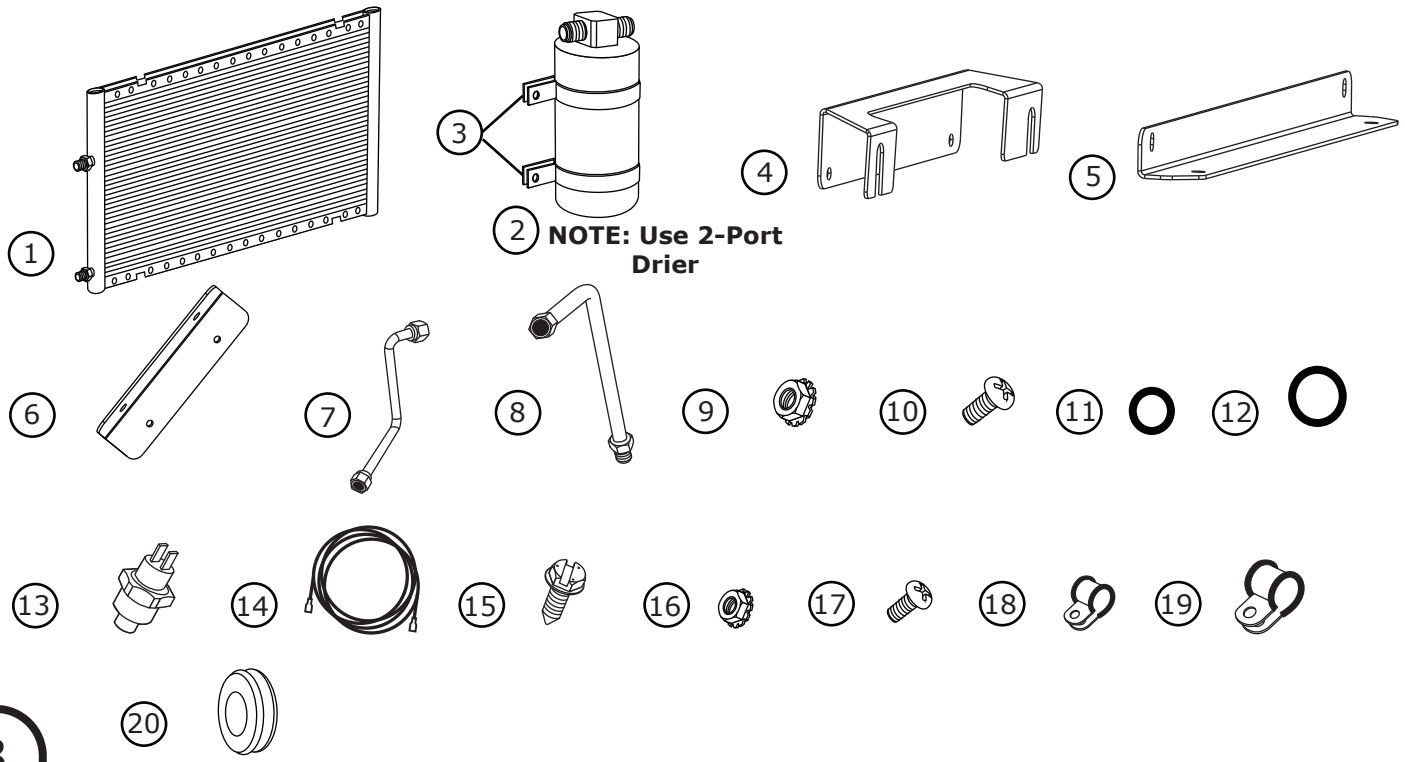


## Packing List: Condenser Kit with Drier (012004)

### 1966-77 Ford Bronco with 6-Cylinder Core Support

| No. | Qty. | Part No.  | Description  |
|-----|------|-----------|--|
| 1.  | 1    | 037031    | Parallel Flow Condenser 16" x 18"                        |
| 2.  | 1    | 07321-VUC | Drier (2-Port)   |
| 3.  | 2    | 07113-VUB | Drier Clamp  |
| 4.  | 1    | 648175    | Bracket 66-77 Bronco 6-Cylinder Upper Condenser          |
| 5.  | 1    | 648174    | Bracket 66-77 Bronco 6-Cylinder Lower Condenser          |
| 6.  | 1    | 648165    | Bracket 66-77 Bronco Drier                               |
| 7.  | 1    | 086010    | Hardline 66-77 Bronco 6-Cylinder #6 Condenser/Drier      |
| 8.  | 1    | 086011    | Hardline 66-77 Bronco 6-Cylinder #8 Condenser/Compressor |
| 9.  | 4    | 18260-VUB | 10-24 Nut with Star Washer                               |
| 10. | 4    | 18249-VUB | 10-24 x 3/8" Pan Head Screw                              |
| 11. | 2    | 33857-VUF | #6 O-ring  |
| 12. | 1    | 33858-VUF | #8 O-ring  |
| 13. | 1    | 11079-VUS | Male Binary Switch                                       |
| 14. | 1    | 23135-VUW | Compressor Lead  |
| 15. | 6    | 18247-VUB | #10 x 1/2" Sheet Metal Screw                             |
| 16. | 1    | 18251-VUB | 10-32 Nut with Star Washer                               |
| 17. | 1    | 18250-VUB | 10-32 x 1/2" Pan Head Screw                              |
| 18. | 1    | 31600-VUD | #2 Adel Clamp  |
| 19. | 1    | 31603-VUD | #4 Adel Clamp  |
| 20. | 2    | 33137-VUI | Large Grommet  |

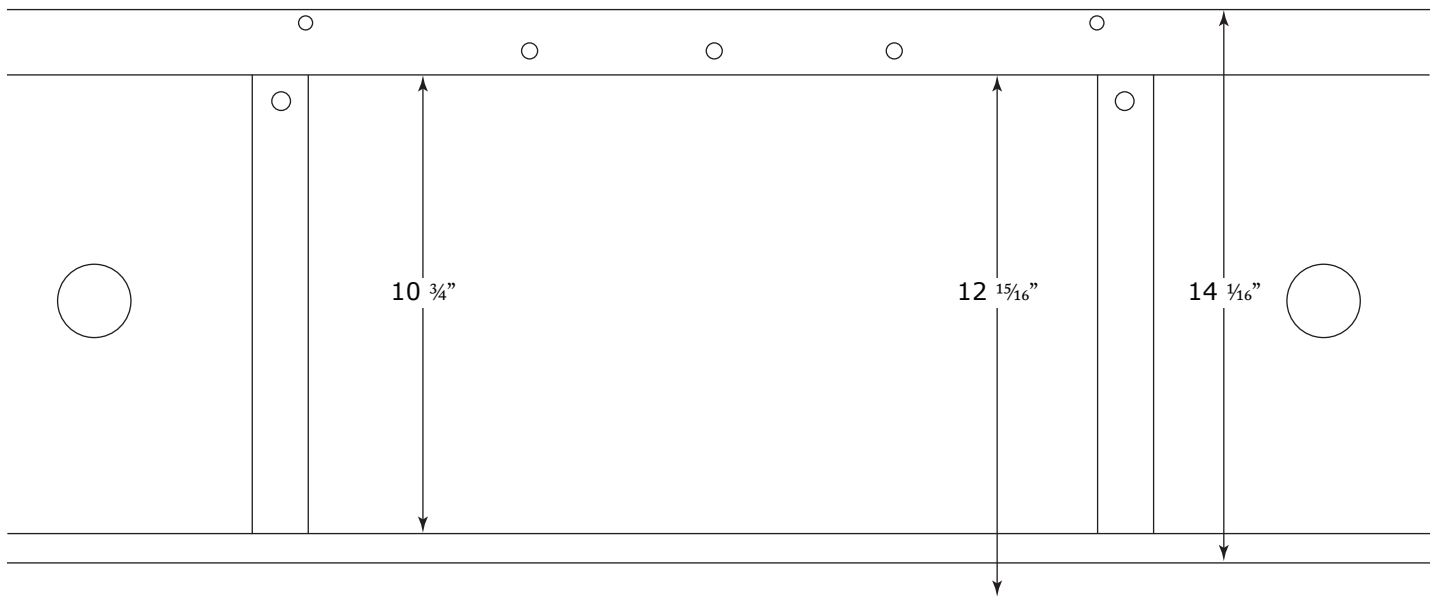
**\*\* Before beginning installation, open all packages and check contents of shipment. Please report any shortages directly to Vintage Air within 15 days. After 15 days, Vintage Air will not be responsible for missing or damaged items.**



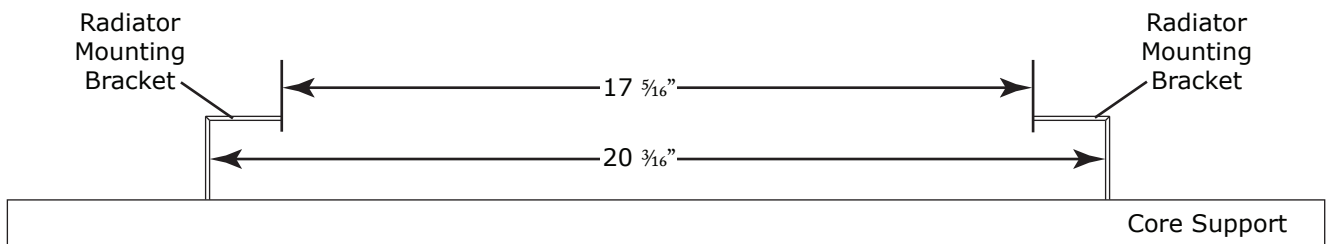


## Measurements: 1966-77 Ford Bronco with 6-Cylinder Core Support

*This kit was developed based on the measurements below, which were taken from a 1966 Bronco 6 Cylinder core support.*



**Front View**



**Top View**



## Engine Compartment

### Remove the Following:

1. Battery and battery tray.
2. Radiator.
3. Fan Shroud.

## Mounting Bracket Installation

1. Install condenser mounting brackets onto condenser using (4) 10-24 x 3/8" pan head screws and (4) 10-24 nuts with star washers as shown in Figure 1, below. **NOTE: Upper bracket mounts on the 5th and 12th holes from the left side of the condenser. Lower bracket mounts on the 3rd and 14th holes from the left side of the condenser.**

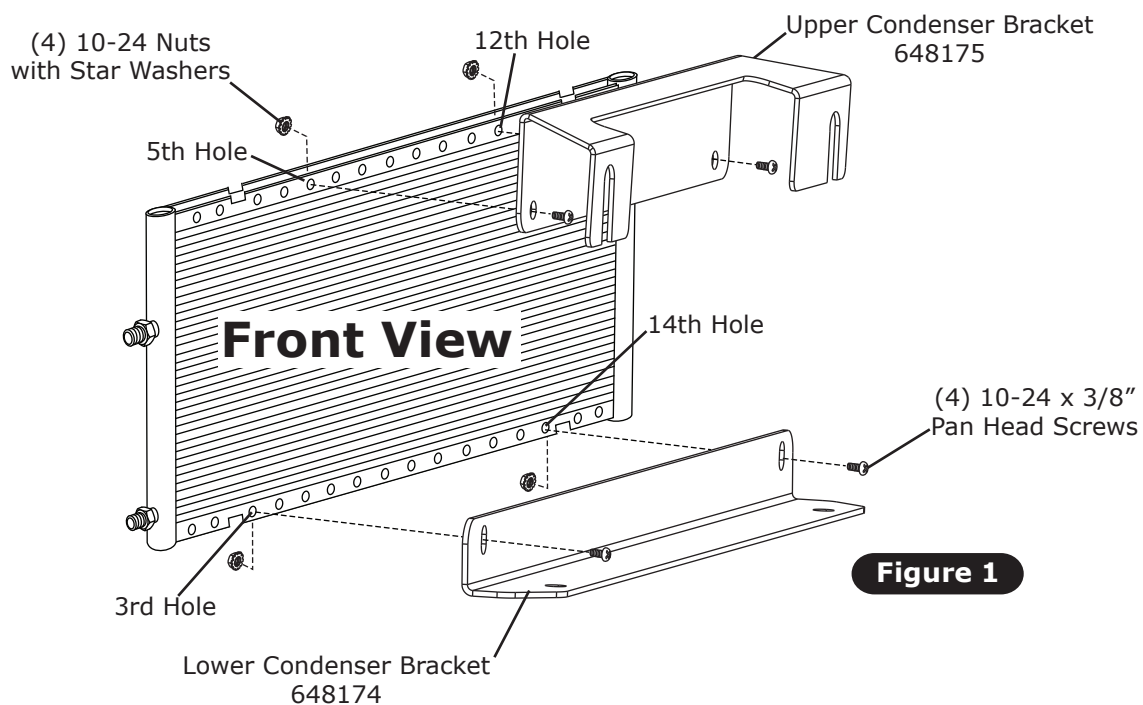


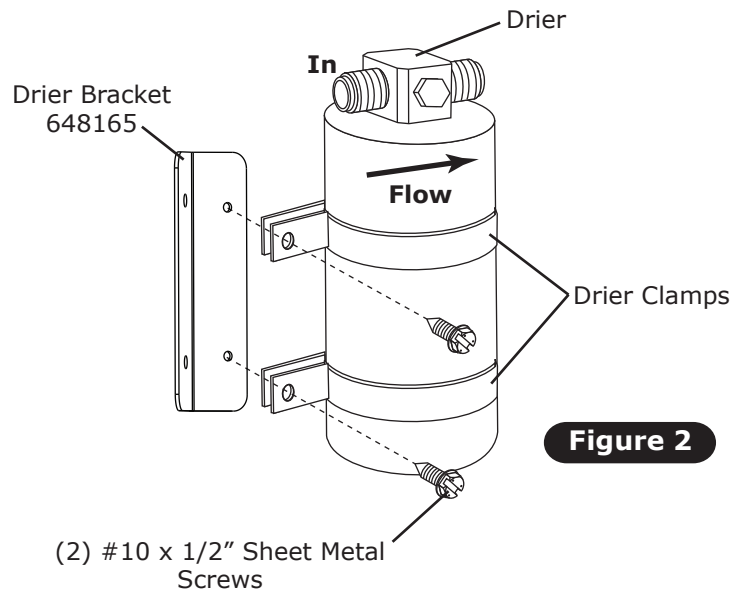
Figure 1



## Drier Bracket Installation

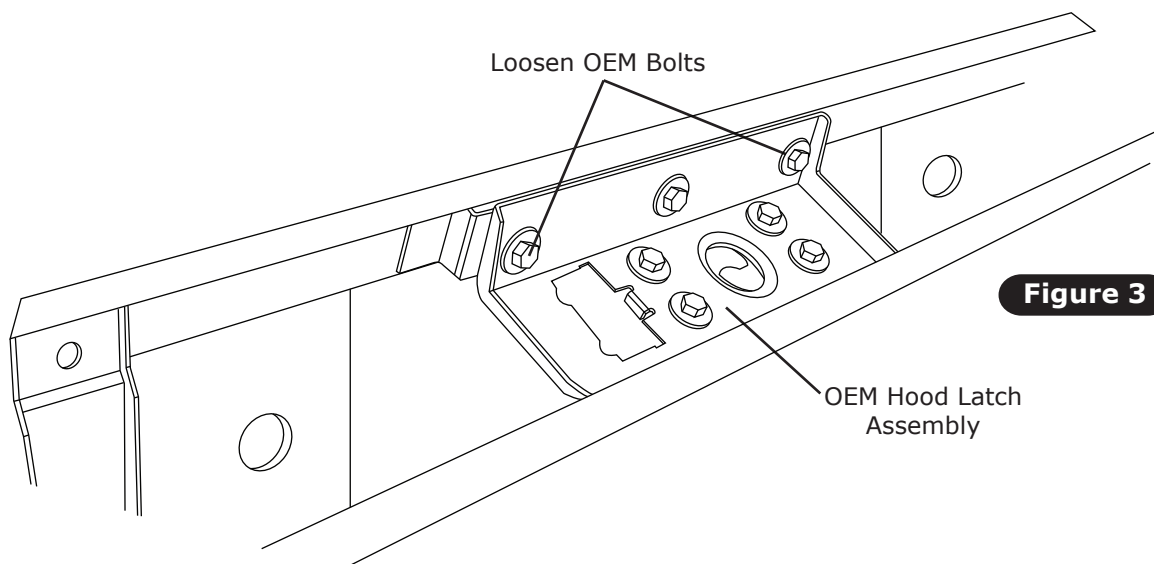
1. Install drier bracket onto drier with drier clamps as shown in Figure 2, below.

**NOTE: Refrigerant flow through drier is IN from condenser, OUT to evaporator.**



## Hood Latch Assembly

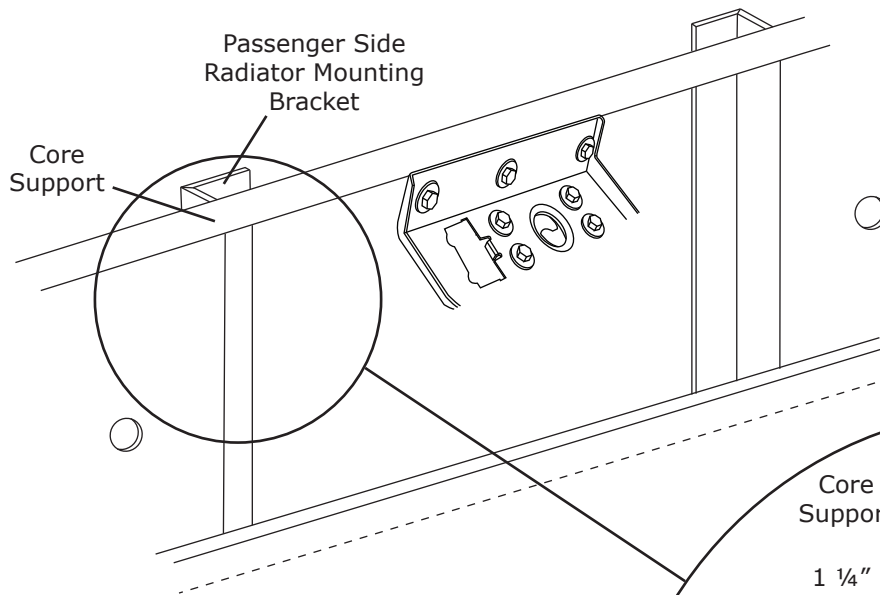
1. Loosen OEM hood latch assembly bolts as shown in Figure 3, below.



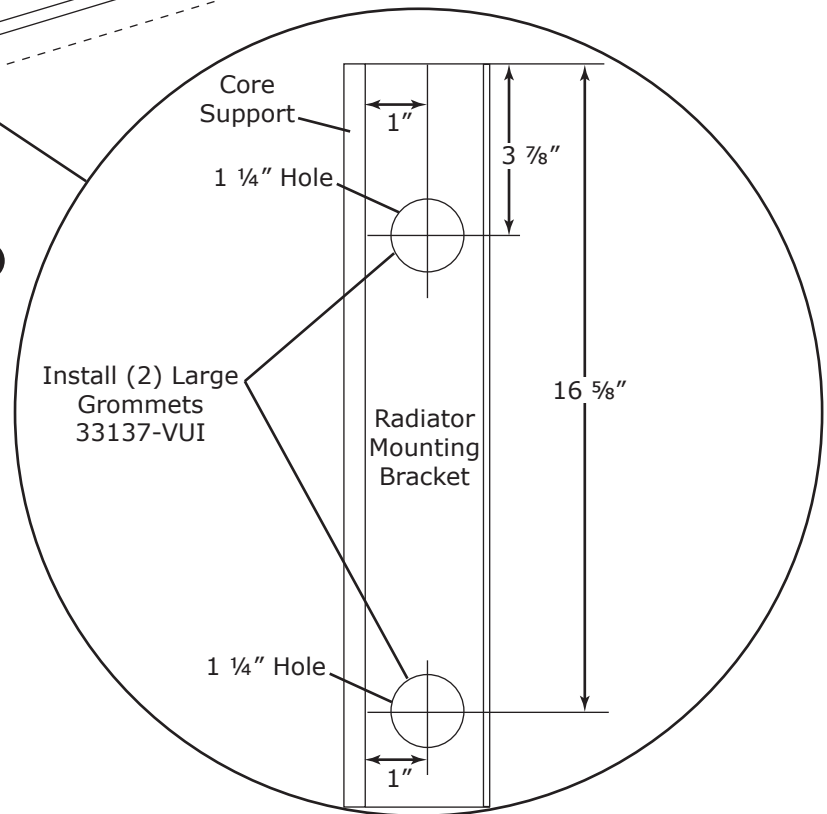


## Radiator Mounting Bracket Modification

1. Drill (2) 1 ¼" holes into the passenger side radiator mounting bracket as shown in Figure 4, below.
2. Install (2) large grommets onto 1 ¼" holes as shown in Figure 4, below.



**Figure 4**

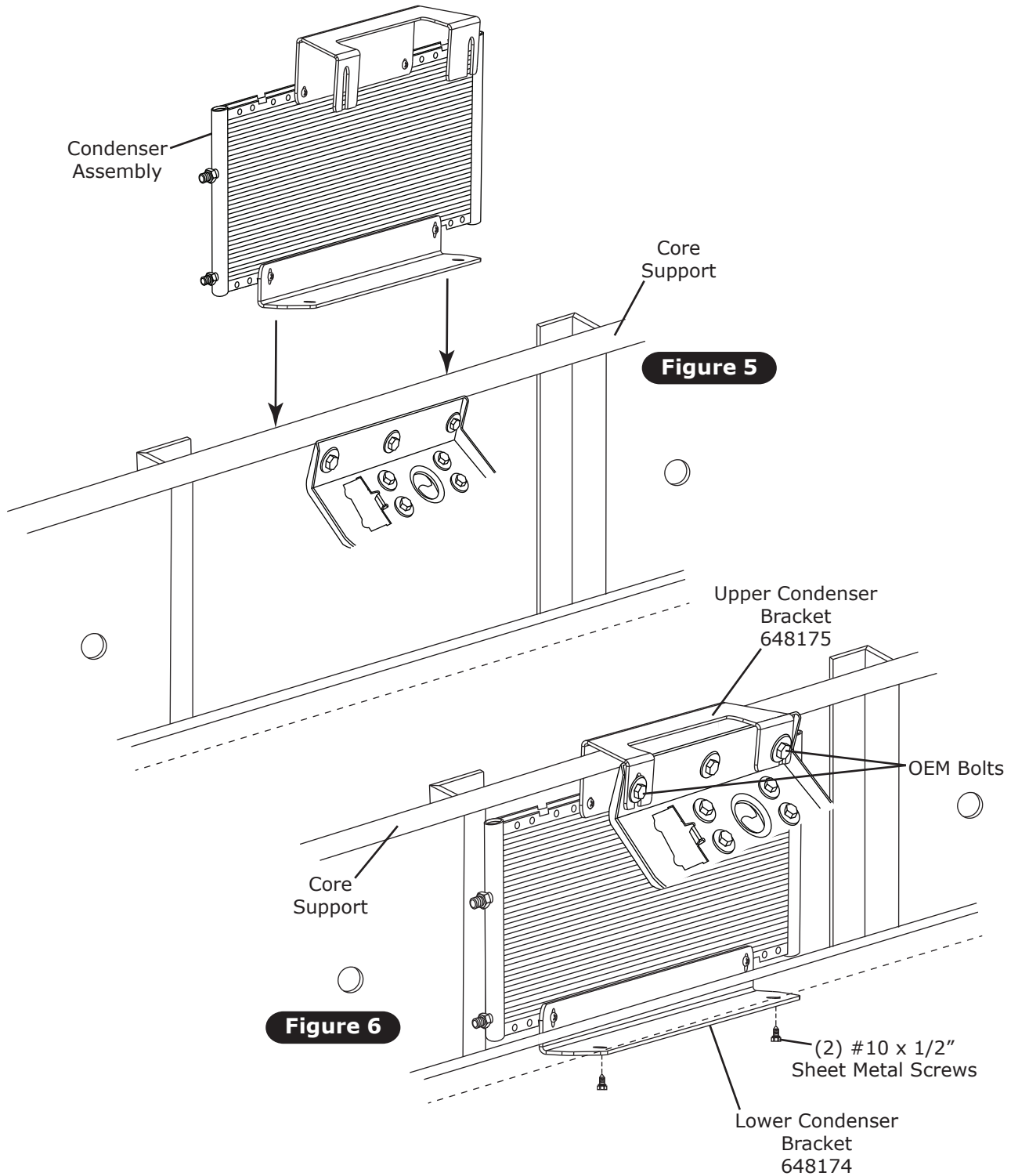


**Passenger Side Radiator Mounting Bracket Side View**



## Condenser Installation

1. Install condenser behind core support as shown in Figure 5, below.
2. Slide upper condenser bracket onto loosened OEM bolts on hood latch assembly as shown in Figure 6, below.
3. Using (2) #10 x 1/2" sheet metal screws secure lower condenser bracket onto core support.







## Hardline & Drier Installation

1. Lubricate (2) #6 O-rings as shown in Figure 9, Page 10. Install the #6 condenser/drier hardline as shown in Figure 7, below. Tighten fittings as shown in Figure 9, Page 10.
2. Using drier bracket as a template, drill (2) 9/64" holes and install (2) #10 x 1/2" sheet metal screws to secure drier onto core support as shown in Figure 8, below.

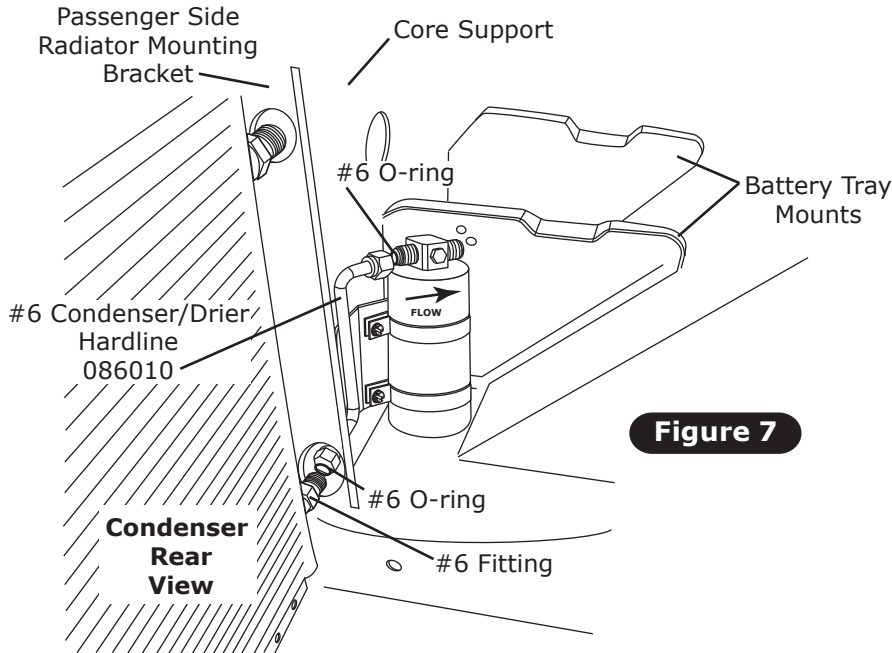


Figure 7

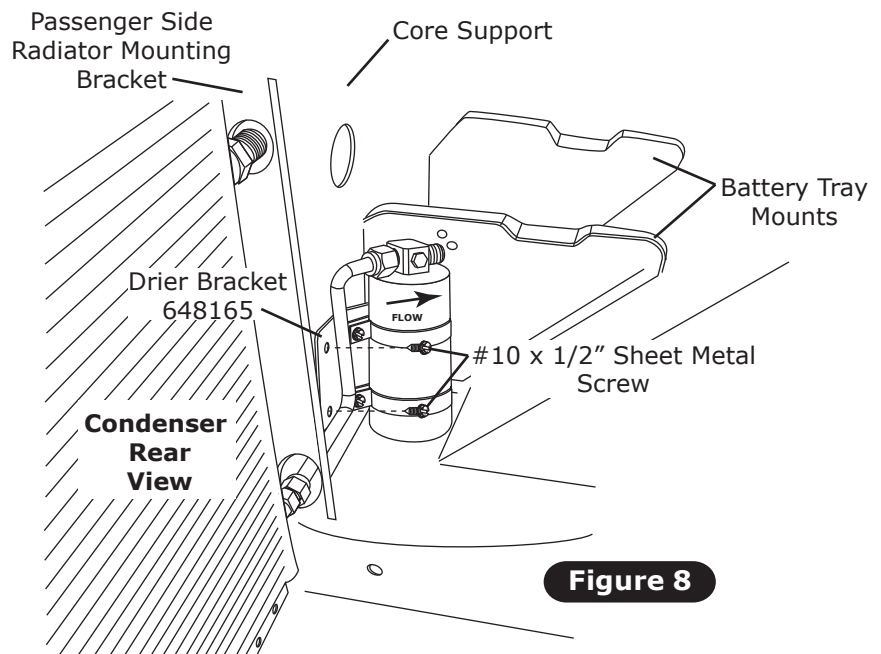
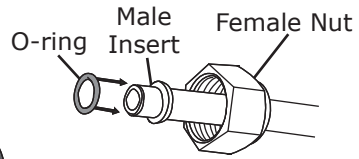
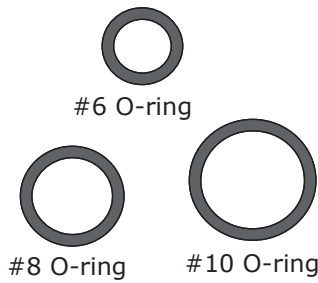


Figure 8



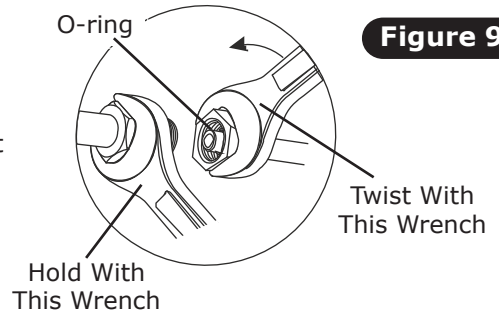
## Lubricating O-rings



For a proper seal of fittings: Install supplied O-rings as shown, and lubricate with supplied oil.

Supplied Oil for O-rings

O-ring Installs Over Male Insert to Swaged Lip

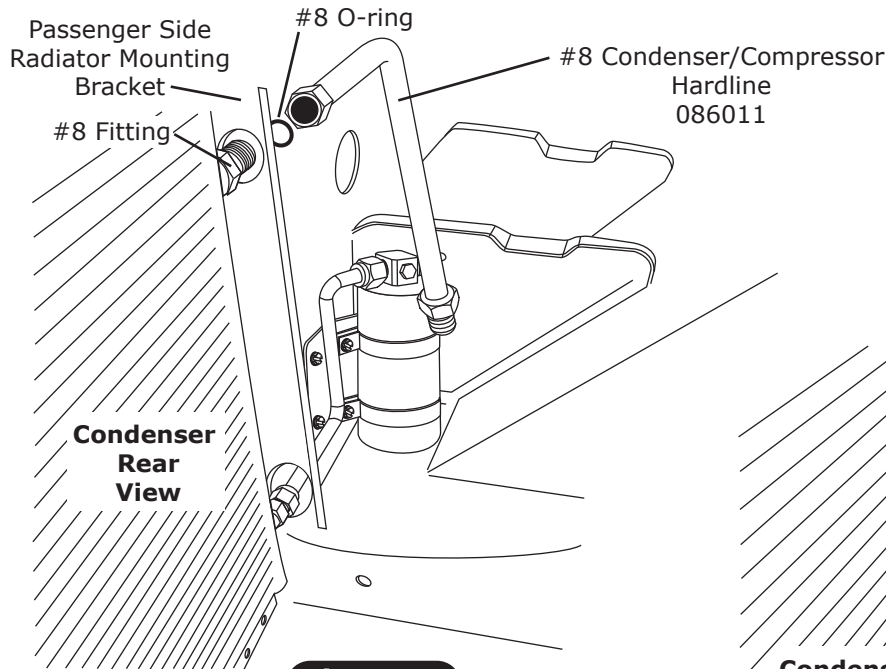


**Figure 9**

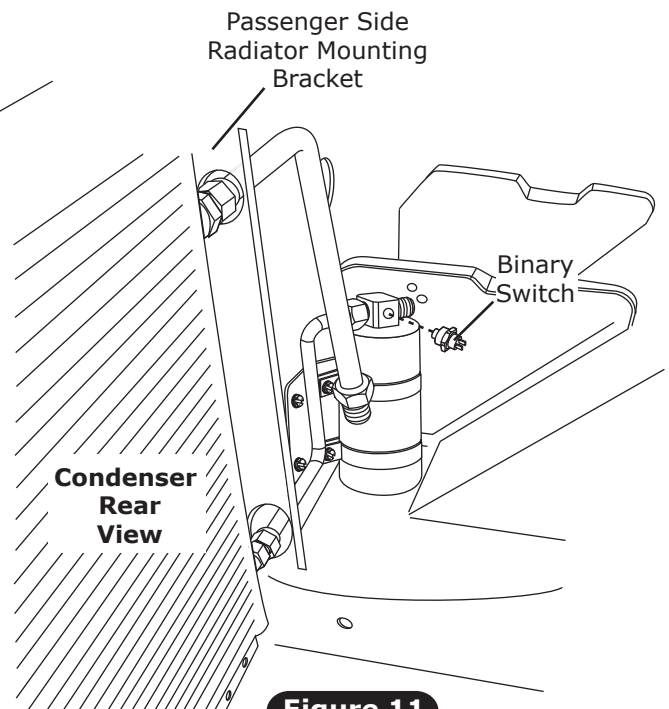
**NOTE: Standard torque specifications:**  
**#6: 11 to 13 ft-lb.**  
**#8: 15 to 20 ft-lb.**  
**#10: 21 to 27 ft-lb.**

## Hardline & Binary Switch Installation

1. Lubricate a #8 O-ring as shown in Figure 9, above. Install #8 condenser/compressor hardline as shown in Figure 10, below. Tighten fitting as shown in Figure 9, above.
2. Install binary switch onto drier as shown in Figure 11, below.



**Figure 10**



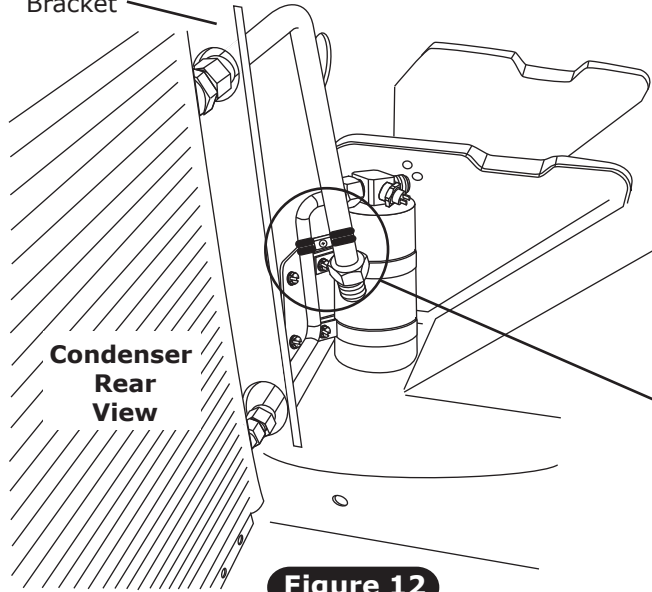
**Figure 11**



## Hardline Installation (Cont.)

1. Using a #2 and a #4 Adel clamp, secure the #6 and #8 hardlines together as shown in Figure 12, below.

Passenger Side  
Radiator Mounting  
Bracket



10-32 x 1/2"  
Phillips Pan  
Machine Screw

#2 Adel  
Clamp

#4 Adel  
Clamp

10-32 Nut  
with Star Washer



**Packing List:**

**Condenser Kit with Drier (012004)**

**1966-77 Ford Bronco with 6-Cylinder Core Support**

| No. | Qty. | Part No.  | Description  |
|-----|------|-----------|--|
| 1.  | 1    | 037031    | Parallel Flow Condenser 16" x 18"                        |
| 2.  | 1    | 07321-VUC | Drier (2-Port)   |
| 3.  | 2    | 07113-VUB | Drier Clamp  |
| 4.  | 1    | 648175    | Bracket 66-77 Bronco 6-Cylinder Upper Condenser          |
| 5.  | 1    | 648174    | Bracket 66-77 Bronco 6-Cylinder Lower Condenser          |
| 6.  | 1    | 648165    | Bracket 66-77 Bronco Drier                               |
| 7.  | 1    | 086010    | Hardline 66-77 Bronco 6-Cylinder #6 Condenser/Drier      |
| 8.  | 1    | 086011    | Hardline 66-77 Bronco 6-Cylinder #8 Condenser/Compressor |
| 9.  | 4    | 18260-VUB | 10-24 Nut with Star Washer                               |
| 10. | 4    | 18249-VUB | 10-24 x 3/8" Pan Head Screw                              |
| 11. | 2    | 33857-VUF | #6 O-ring  |
| 12. | 1    | 33858-VUF | #8 O-ring  |
| 13. | 1    | 11079-VUS | Male Binary Switch                                       |
| 14. | 1    | 23135-VUW | Compressor Lead  |
| 15. | 6    | 18247-VUB | #10 x 1/2" Sheet Metal Screw                             |
| 16. | 1    | 18251-VUB | 10-32 Nut with Star Washer                               |
| 17. | 1    | 18250-VUB | 10-32 x 1/2" Pan Head Screw                              |
| 18. | 1    | 31600-VUD | #2 Adel Clamp  |
| 19. | 1    | 31603-VUD | #4 Adel Clamp  |
| 20. | 2    | 33137-VUI | Large Grommet  |

Checked By: \_\_\_\_\_  
 Packed By: \_\_\_\_\_  
 Date: \_\_\_\_\_

