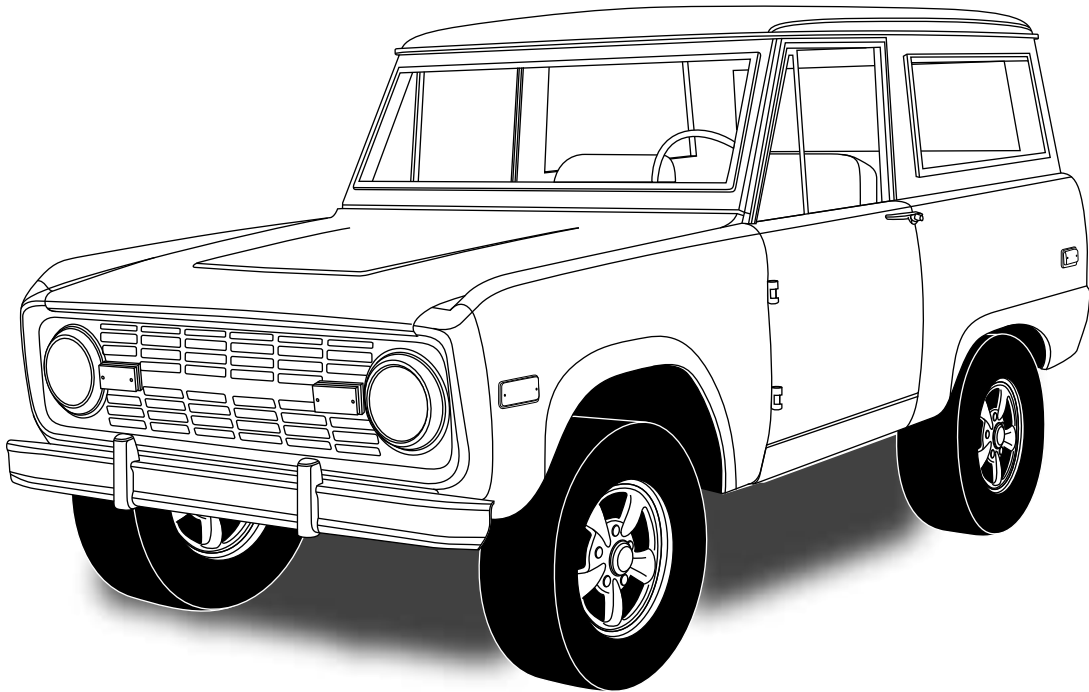




an ISO 9001:2008 Registered Company

1966-77 Ford Bronco

*with 6-Cylinder Core Support
Condenser Kit without Drier*
012005



18865 Goll St. San Antonio, TX 78266 ph: 210-654-7171 fax: 210-654-3113



Table of Contents

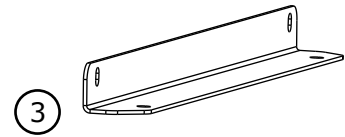
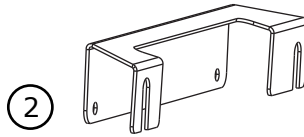
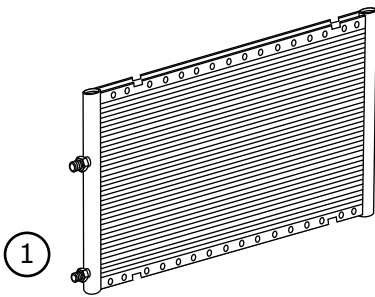
- 1. Cover**
- 2. Table of Contents**
- 3. Packing List/Parts Disclaimer**
- 4. Core Support Measurements**
- 5. Engine Compartment, Mounting Bracket Installation and Hood Latch Assembly**
Figures 1 & 2
- 6. Condenser Installation**
Figures 3 & 4
- 7. Packing List**



Packing List:
Condenser Kit without Drier (012005)
1966-77 Ford Bronco with 6-Cylinder Core Support

No.	Qty.	Part No.	Description
1.	1	037031	Parallel Flow Condenser 16" x 18"
2.	1	648175	Bracket 66-77 Bronco 6-Cylinder Upper Condenser
3.	1	648174	Bracket 66-77 Bronco 6-Cylinder Lower Condenser
4.	4	18260-VUB	10-24 Nut with Star Washer
5.	4	18249-VUB	10-24 x 3/8" Pan Head Screw
6.	2	18247-VUB	#10 x 1/2" Sheet Metal Screw

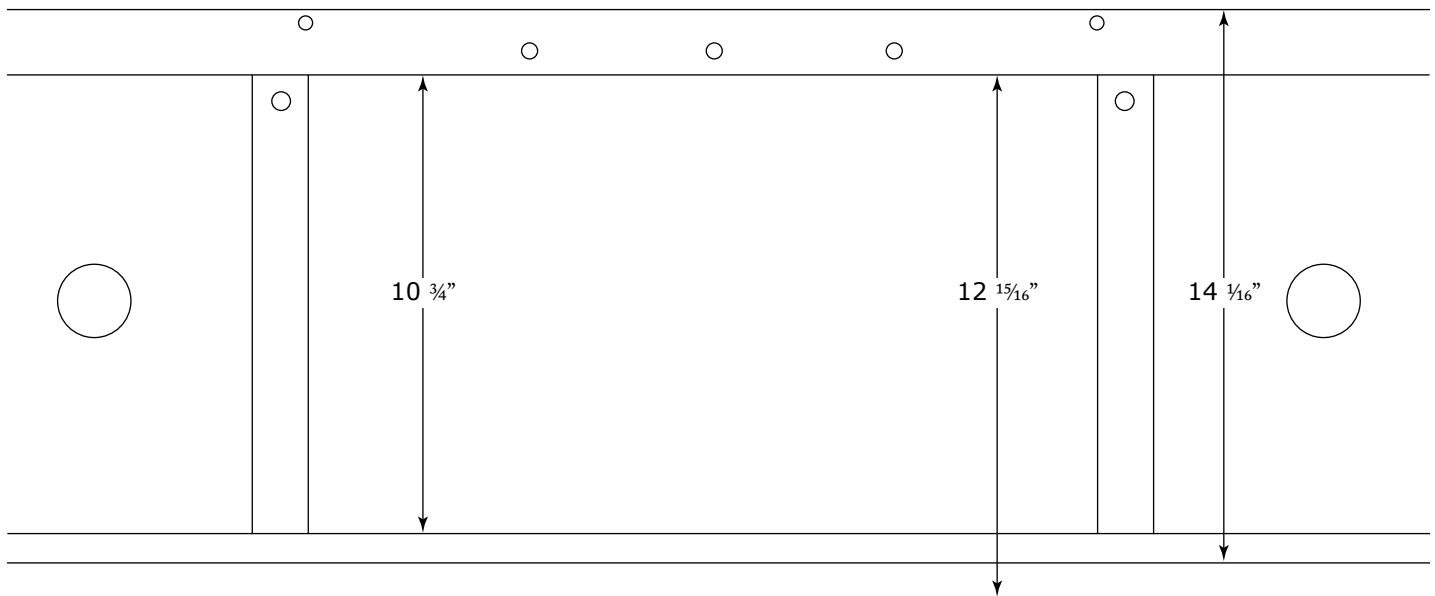
**** Before beginning installation, open all packages and check contents of shipment. Please report any shortages directly to Vintage Air within 15 days. After 15 days, Vintage Air will not be responsible for missing or damaged items.**



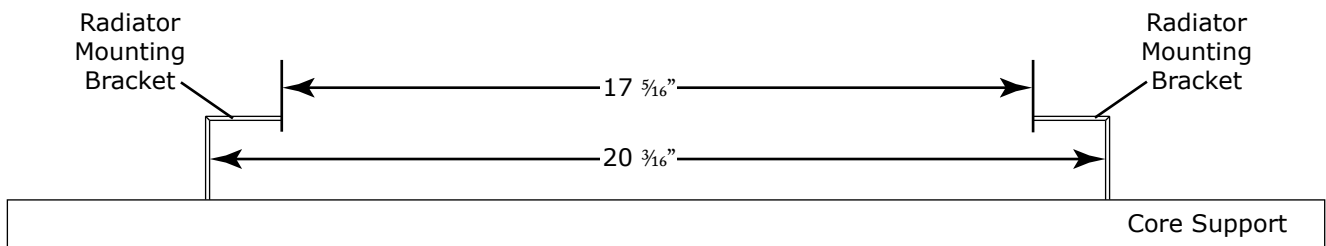


Measurements: 1966-77 Ford Bronco with 6-Cylinder Core Support

This kit was developed based on the measurements below, which were taken from a 1966 Bronco 6 Cylinder core support.



Front View



Top View



Engine Compartment

Remove the Following:

1. Battery and battery tray.
2. Radiator.
3. Fan Shroud.

Mounting Bracket Installation

1. Install condenser mounting brackets onto condenser using (4) 10-24 x 3/8" pan head screws and (4) 10-24 nuts with star washers as shown in Figure 1, below. **NOTE: Upper bracket mounts on the 5th and 12th holes from the left side of the condenser. Lower bracket mounts on the 3rd and 14th holes from the left side of the condenser.**

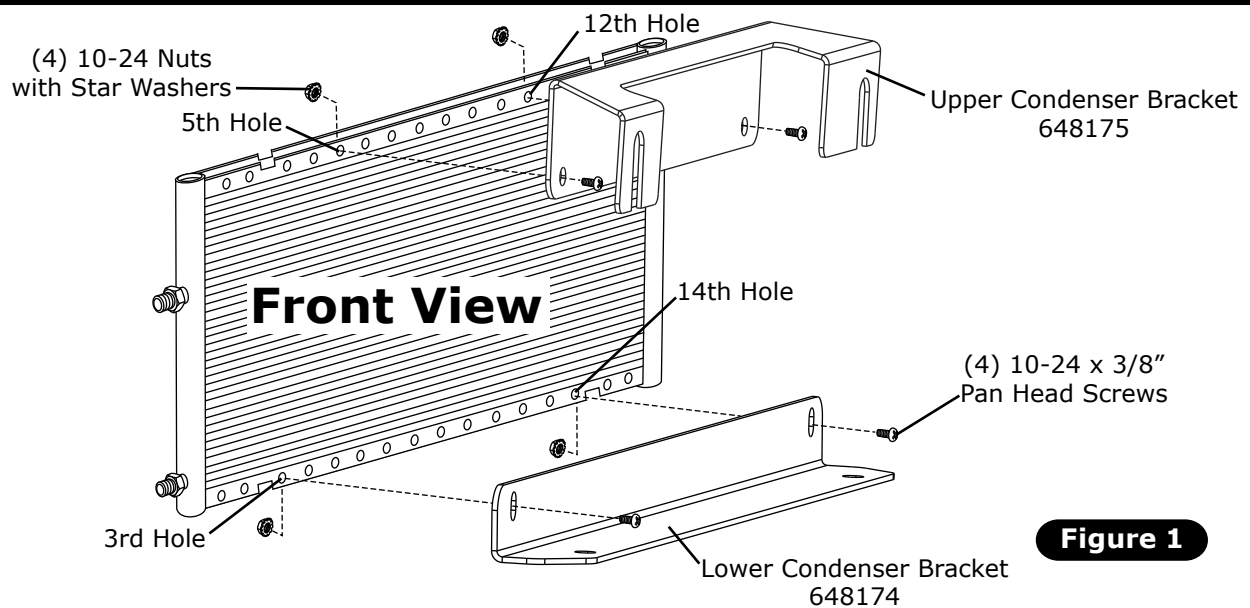


Figure 1

Hood Latch Assembly

1. Loosen OEM hood latch assembly bolts as shown in Figure 2, below.

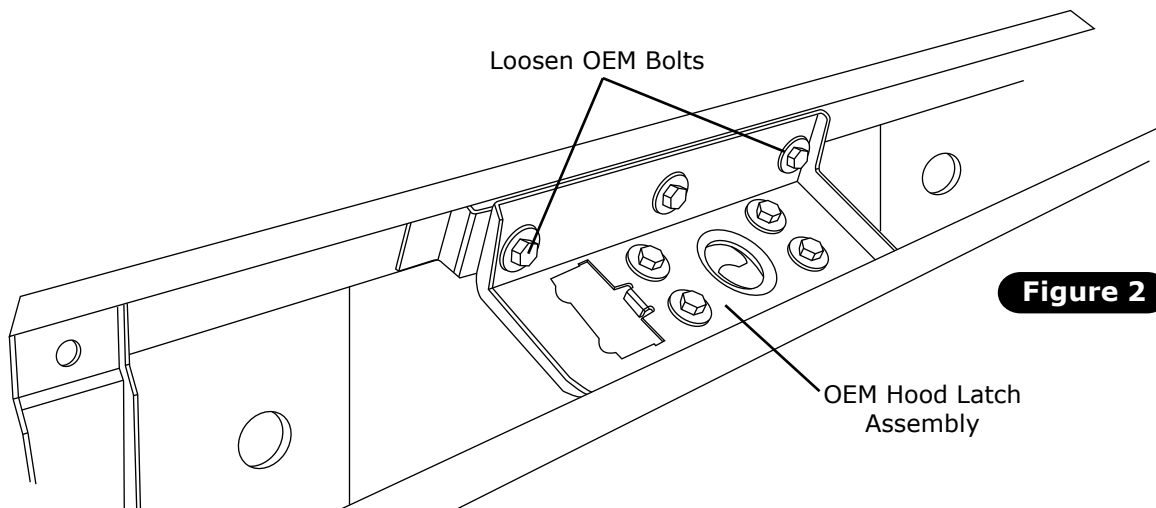
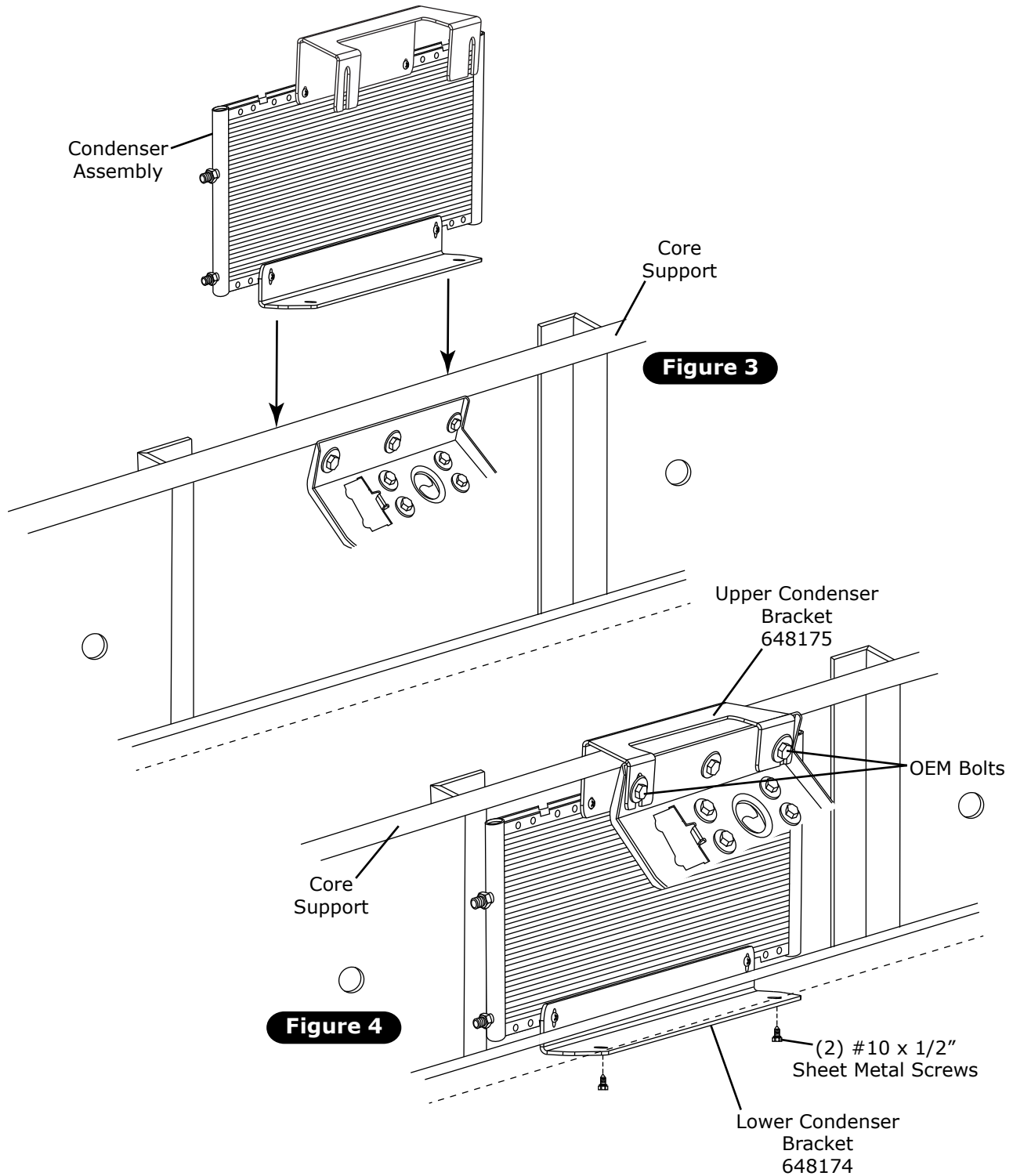


Figure 2



Condenser Installation

1. Install condenser assembly behind core support as shown in Figure 3, below.
2. Slide upper condenser bracket onto loosened OEM bolts on hood latch assembly as shown in Figure 4, below.
3. Using (2) #10 x 1/2" sheet metal screws secure lower condenser bracket onto core support.





Packing List:

Condenser Kit without Drier (012005)

1966-77 Ford Bronco with 6-Cylinder Core Support

No.	Qty.	Part No.	Description	
1.	1	037031	Parallel Flow Condenser 16" x 18"	_____
2.	1	648175	Bracket 66-77 Bronco 6-Cylinder Upper Condenser	_____
3.	1	648174	Bracket 66-77 Bronco 6-Cylinder Lower Condenser	_____
4.	4	18260-VUB	10-24 Nut with Star Washer	_____
5.	4	18249-VUB	10-24 x 3/8" Pan Head Screw	_____
6.	2	18247-VUB	#10 x 1/2" Sheet Metal Screw	_____

Checked By: _____
Packed By: _____
Date: _____

