

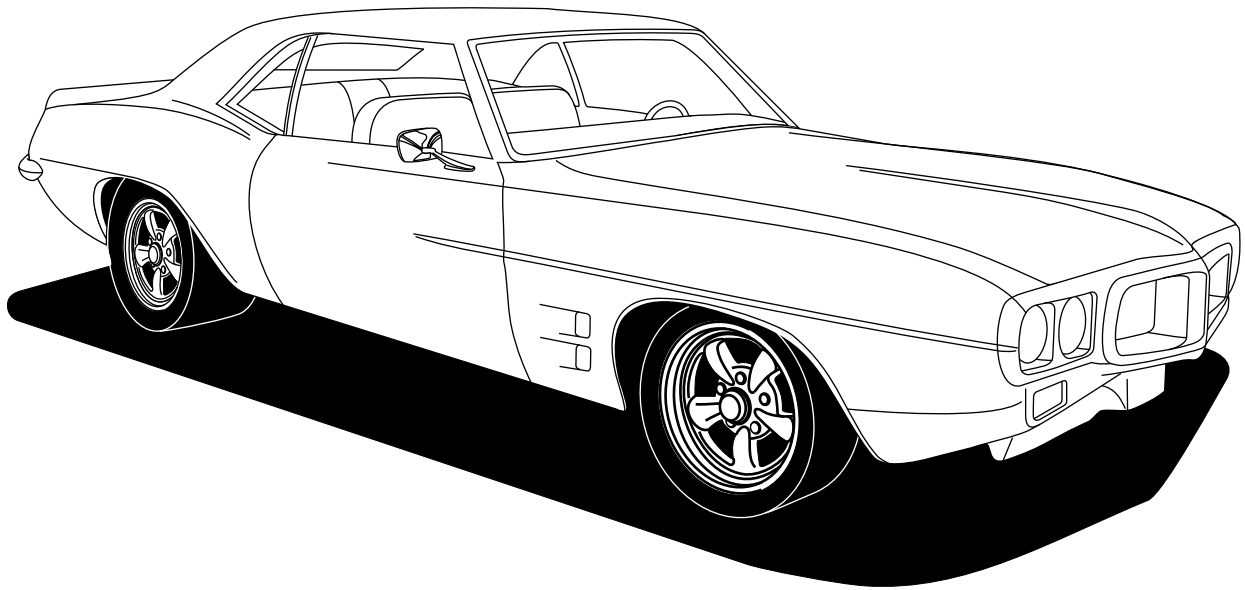


an ISO 9001:2015 Registered Company

1969 Firebird

with & without Factory Air
Condenser Kit *with* Drier

021162



18865 Goll St. San Antonio, TX 78266

Phone: 800-862-6658

Sales: sales@vintageair.com

Tech Support: tech@vintageair.com

www.vintageair.com



Table of Contents

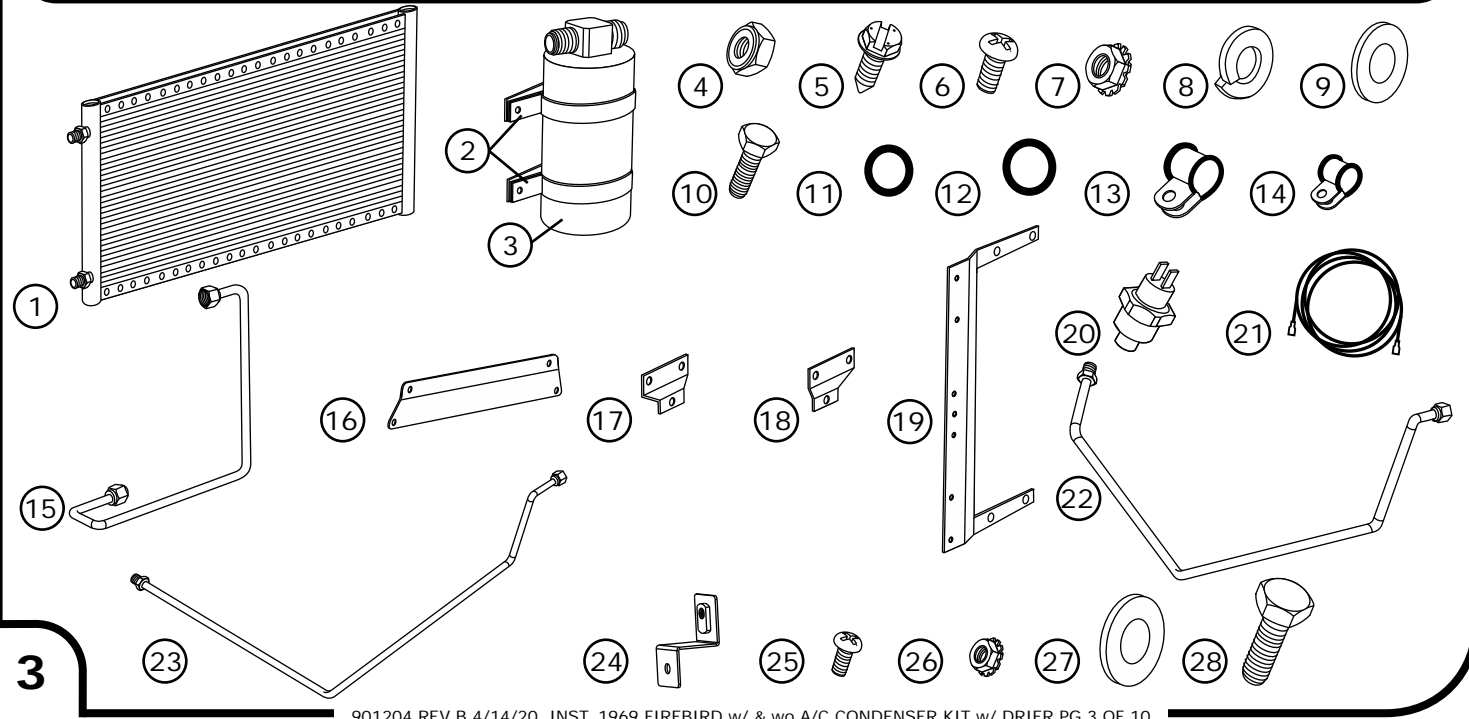
1. Cover
2. Table of Contents
3. Packing List/Parts Disclaimer
4. Condenser & Drier Mounting Bracket Installation
Figure 1
5. Top Mounting Bracket & Drier Installation
Figures 2 & 3
6. Hardline Installation, Lower Mounting Bracket Installation, Lubricating O-rings and Hood Latch Assembly
Figures 4, 4a & 5
7. Condenser Installation
Figures 6 & 7
8. Hood Latch Assembly (Cont.) & Hardline Installation (Cont.)
Figures 8 & 9
9. Hardline Bracket & Binary Switch Installation
Figures 10 & 11
10. Packing List



Packing List: 1969 Firebird with & without A/C Condenser Kit with Drier (021162)

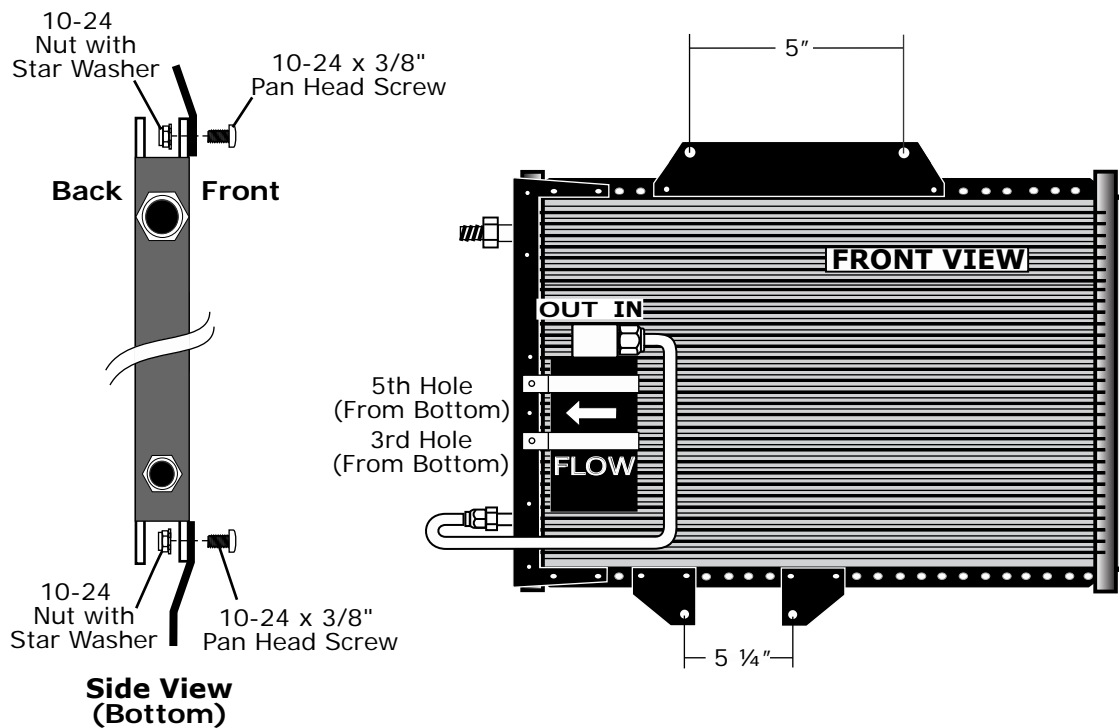
No.	Qty.	Part No.	Description
1.	1	03766-VUC	14" x 22" Parallel Flow Condenser
2.	2	07113-VUB	Drier Clamp
3.	1	07321-VUC	Drier
4.	1	18148-VUB	5/16" Hex Nut
5.	2	18247-VUB	#10 Sheet Metal Screw
6.	10	18249-VUB	10-24 x 3/8" Pan Head Screw
7.	10	18260-VUB	10-24 Nut with Star Washer
8.	1	18610-VUB	5/16" Lock Washer
9.	2	18611-VUB	5/16" Flat Washer
10.	1	18310-VUB	5/16-18 x 1 1/2" Hex Bolt
11.	3	33857-VUF	#6 O-ring
12.	1	33858-VUF	#8 O-ring
13.	1	31603-VUD	#4 Adel Clamp
14.	1	31600-VUD	#2 Adel Clamp
15.	1	35368-VCG	Hardline #6 Drier/Condenser
16.	1	64268-VCB	Bracket 67-68 Camaro Condenser Top
17.	1	64368-VCB	Bracket 67-68 Camaro Condenser Bottom Right
18.	1	64468-VCB	Bracket 67-68 Camaro Condenser Bottom Left
19.	1	65998-VUB	Universal Drier Bracket 14-3/4"
20.	1	11079-VUS	Male Binary Switch
21.	1	23135-VUW	Compressor Lead
22.	1	091961	Hardline 69 Firebird #8 Condenser
23.	1	091960	Hardline 69 Firebird #6 Drier/Core
24.	1	644025	Bracket 74-81 Camaro Hardline Assembly
25.	1	18250-VUB	10-32 x 1/2" Phillips Pan Machine Screw
26.	1	18251-VUB	10-32 Nut with Star Washer
27.	1	18125-VUB	1/4" Flat Washer
28.	1	182871	1/4-20 x 3/4" Hex Bolt

**** Before beginning installation, open all packages and check contents of shipment. Please report any shortages directly to Vintage Air within 15 days. After 15 days, Vintage Air will not be responsible for missing or damaged items.**





Condenser Bracket Installation



Drier Mounting Bracket Installation

1. Install drier mounting bracket onto condenser using (4) 10-24 x 3/8" pan head screws and (4) 10-24 nuts with star washers as shown in Figure 1, below. **NOTE: Bracket mounts through the first and third holes on the condenser.**

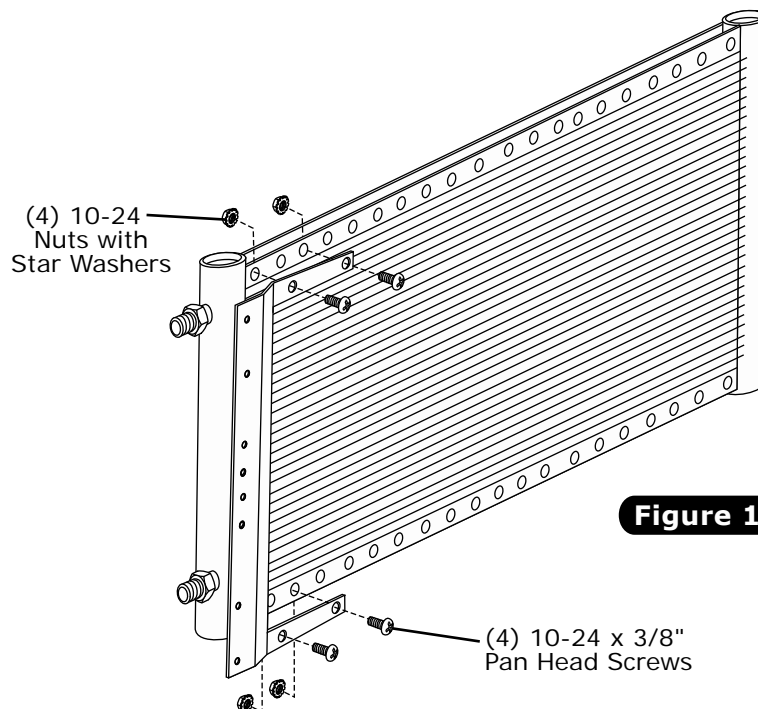
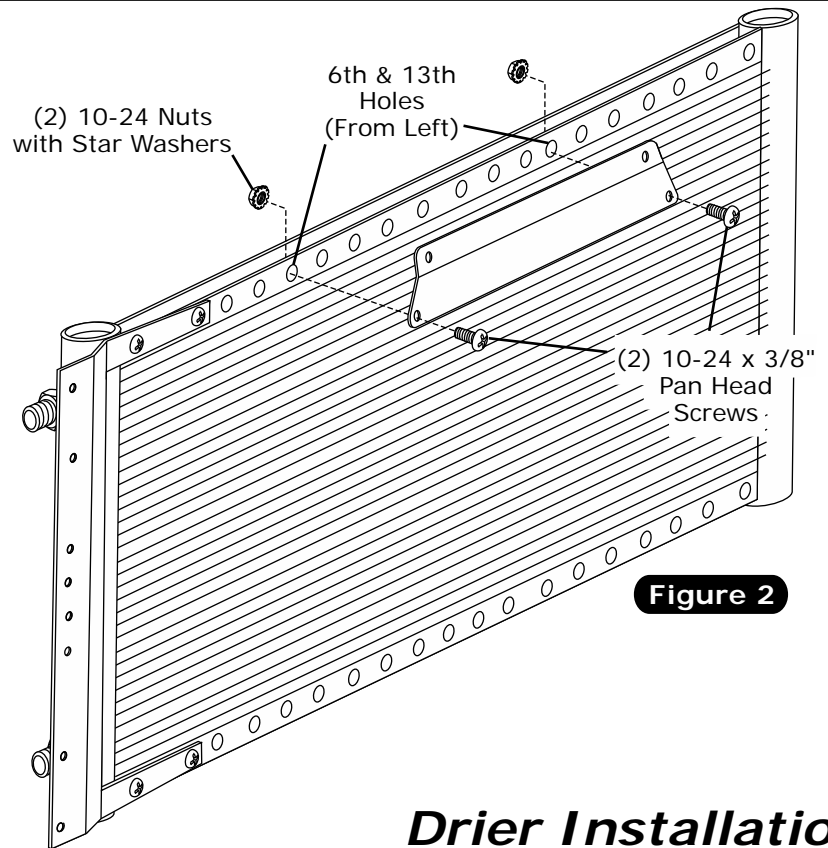


Figure 1



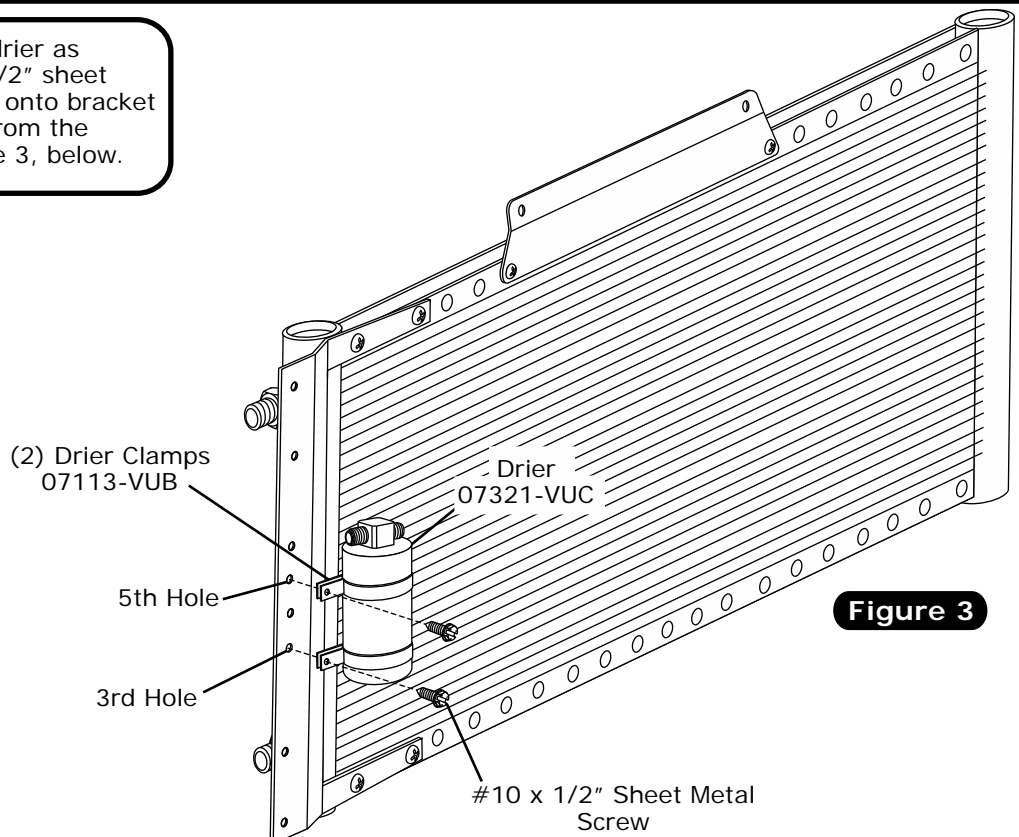
Top Mounting Bracket Installation

1. Install top mounting bracket onto condenser using (2) 10-24 x 3/8" pan head screws and (2) 10-24 nuts with star washers as shown in Figure 2, below. **NOTE: Bracket mounts through the 6th and 13th holes from the left side of the condenser.**



Drier Installation

1. Install drier clamps onto drier as shown. Using (2) #10 x 1/2" sheet metal screws, install drier onto bracket in the 3rd and 5th holes from the bottom as shown in Figure 3, below.





Hardline & Lower Mounting Bracket Installation

1. Lubricate (2) #6 O-rings (See Figure 4a, below) and install the #6 drier/condenser hardline as shown in Figure 4, below. Tighten fittings as shown in Figure 4a, below.
2. Using (4) 10-24 x 3/8" pan head screws with (4) 10-24 nuts with star washers, install the (2) lower condenser mounting brackets as shown in Figure 4, below.

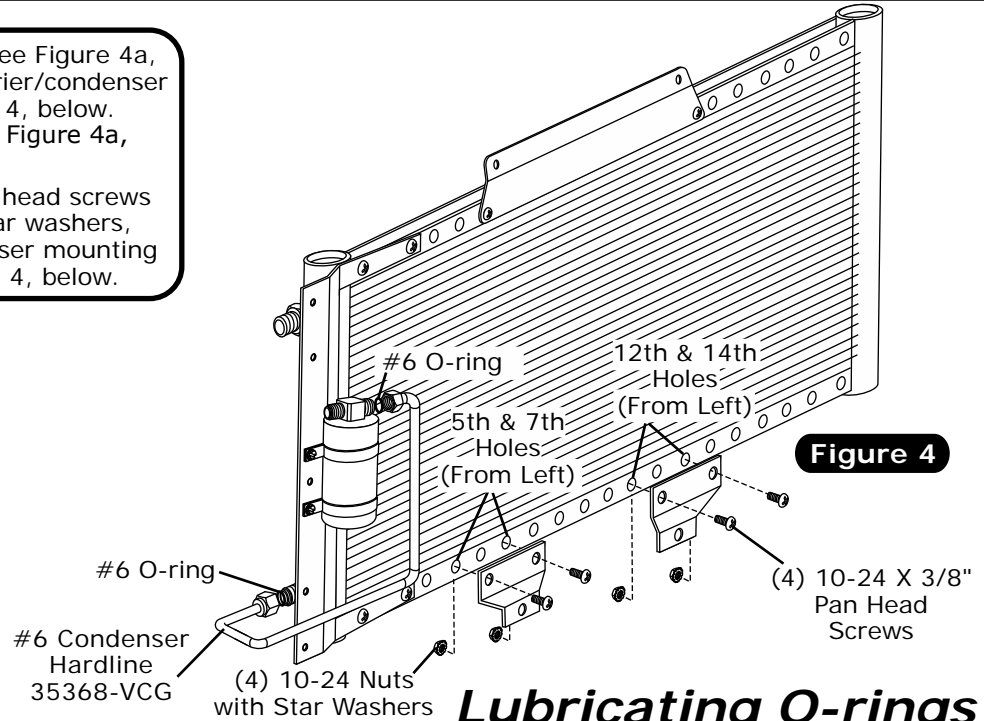
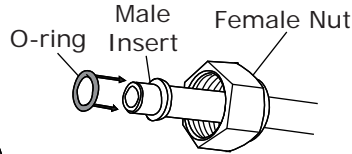
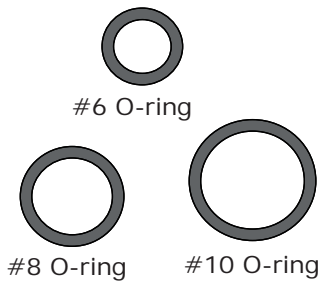


Figure 4

Lubricating O-rings



For a proper seal of fittings: Install supplied O-rings as shown, and lubricate with supplied oil.

Supplied Oil for O-rings

O-ring Installs Over Male Insert to Swaged Lip

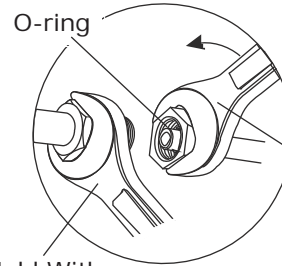


Figure 4a

Twist With This Wrench

Hold With This Wrench

NOTE: Standard torque specifications:
 #6: 11 to 13 ft-lb.
 #8: 15 to 20 ft-lb.
 #10: 21 to 27 ft-lb.

Hood Latch Assembly

1. Remove OEM hood latch assembly. See Figure 5, below.

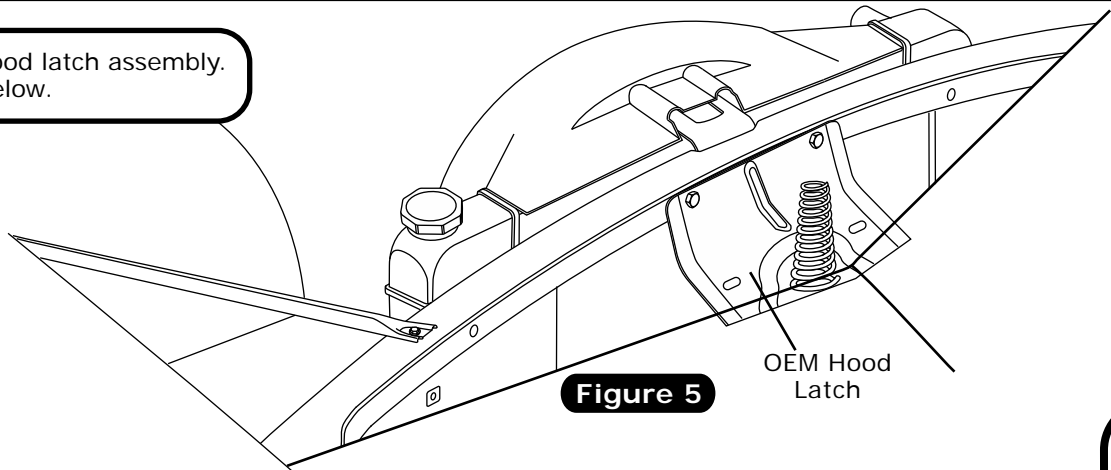
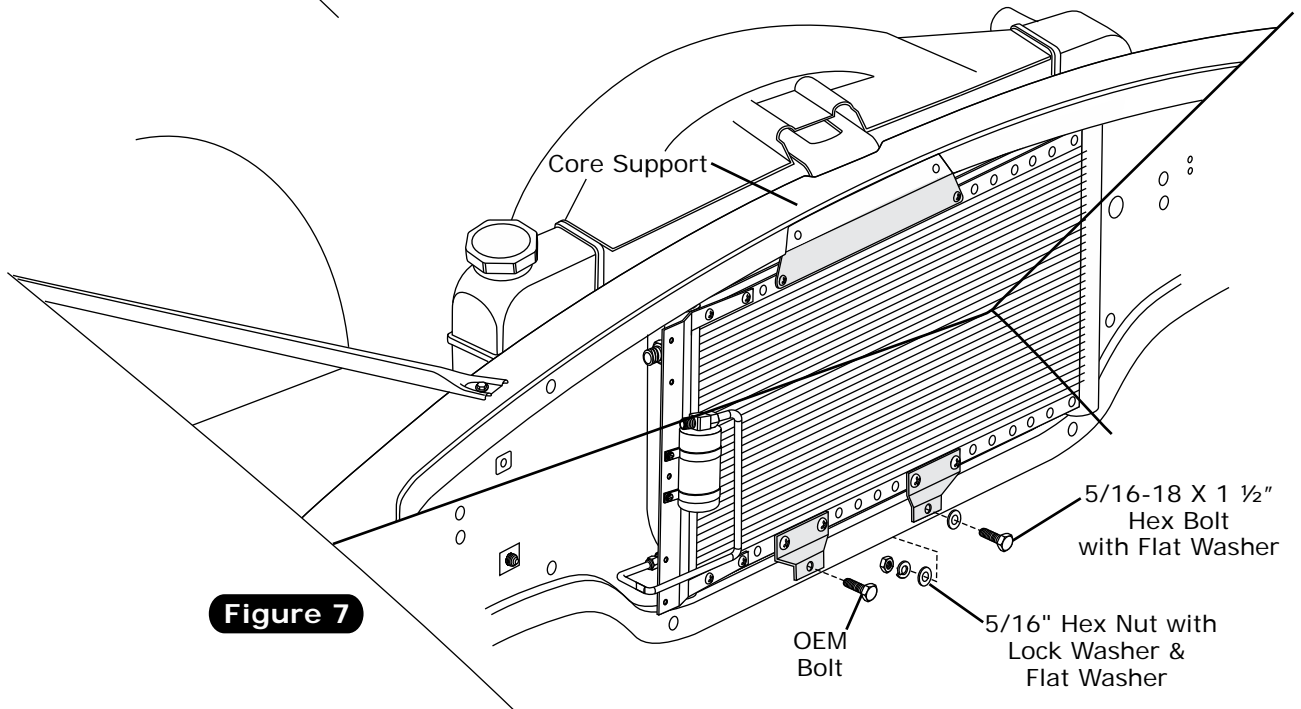
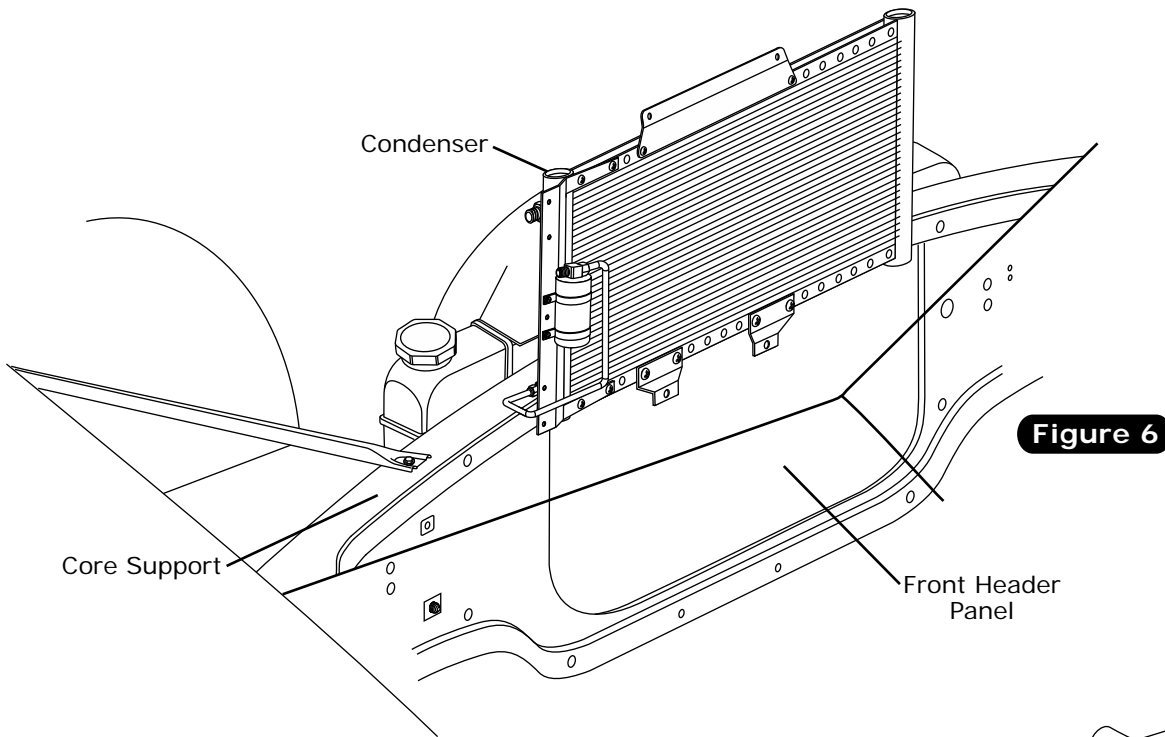


Figure 5



Condenser Installation

1. Lower condenser between the front side of the core support and the front header as shown in Figure 6, below.
NOTE: The top mounting bracket goes on the front of the core support.
2. Secure the bottom driver side of the condenser to the core support using a 5/16-18 x 1 1/2" hex bolt, flat washer, lock washer and 5/16" hex nut as shown in Figure 7, below.
3. Secure the bottom passenger side of the condenser to the core support using OEM bolt as shown in Figure 7, below.





Hood Latch Assembly (Cont.)

1. Reinstall hood latch assembly using OEM bolts as shown in Figure 8, below.

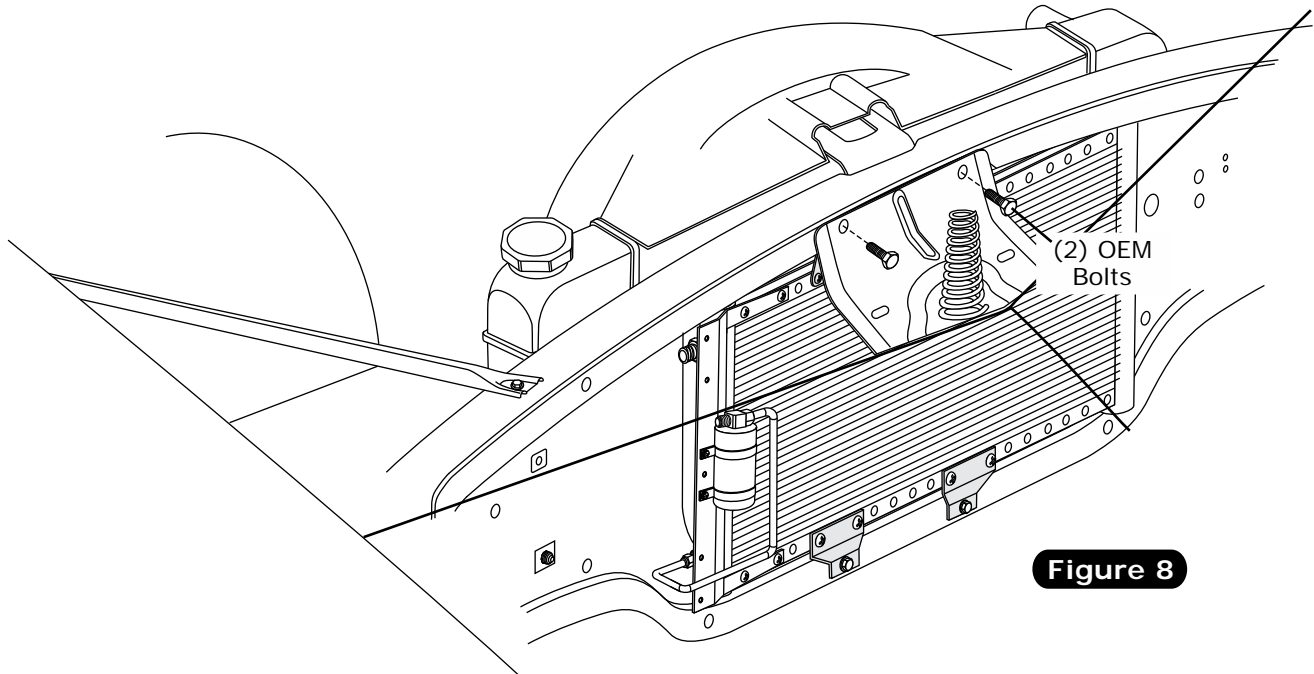


Figure 8

Hardline Installation (Cont.)

1. Lubricate a #6 O-ring (See Figure 4a, Page 6) and install the #6 drier/core hardline as shown in Figure 9, below. Tighten fittings as shown in Figure 4a, Page 6.
2. Lubricate a #8 O-ring (See Figure 4a, Page 6) and install the #8 condenser hardline as shown in Figure 9, below. Tighten fittings as shown in Figure 4a, Page 6.

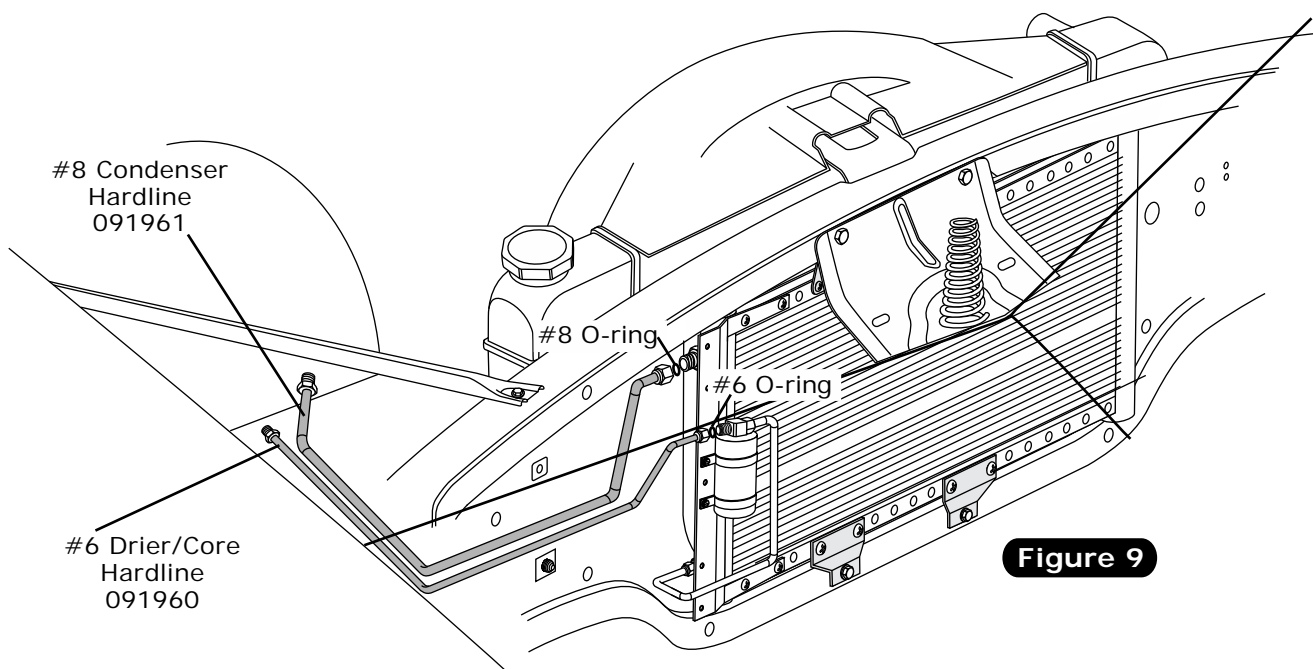
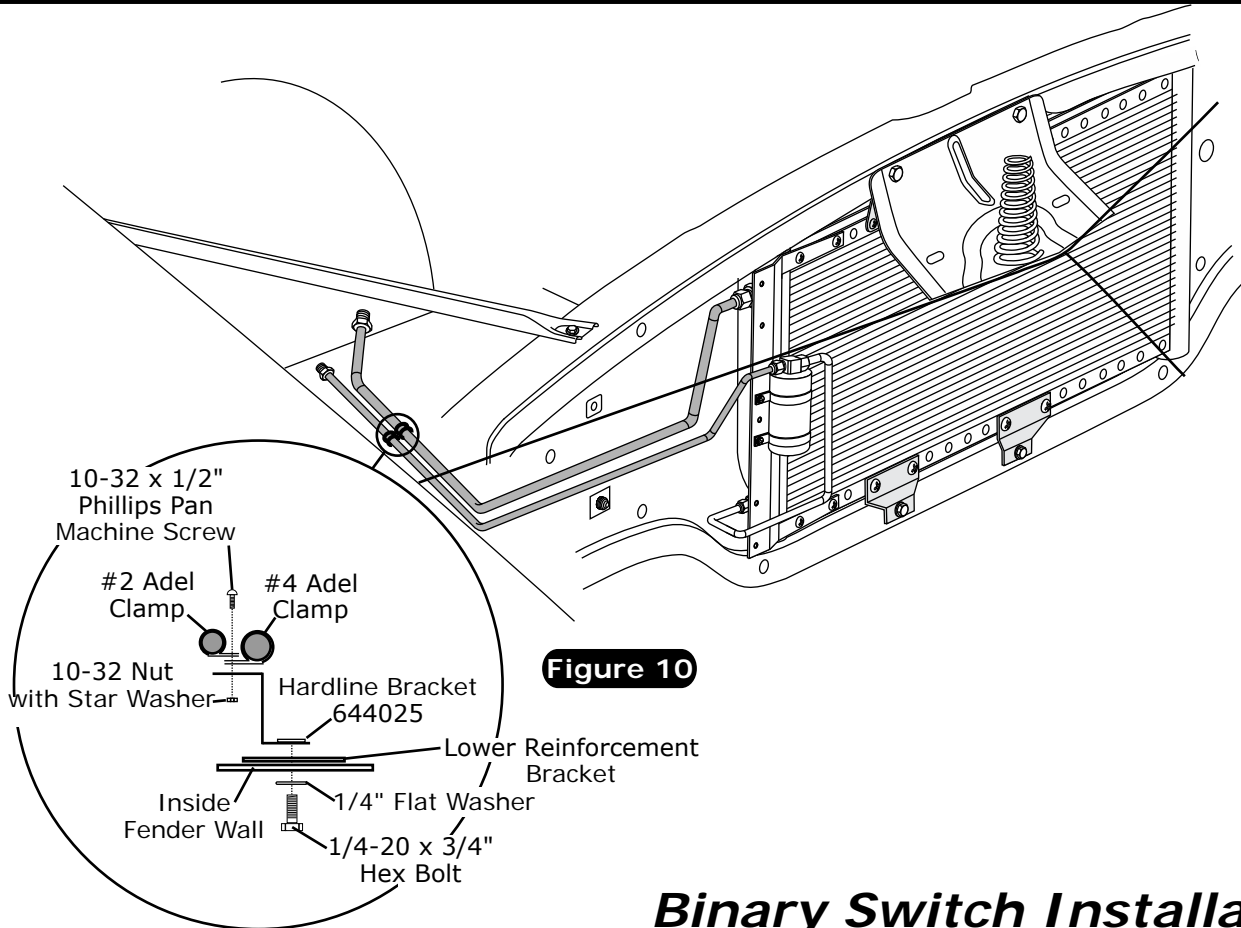


Figure 9



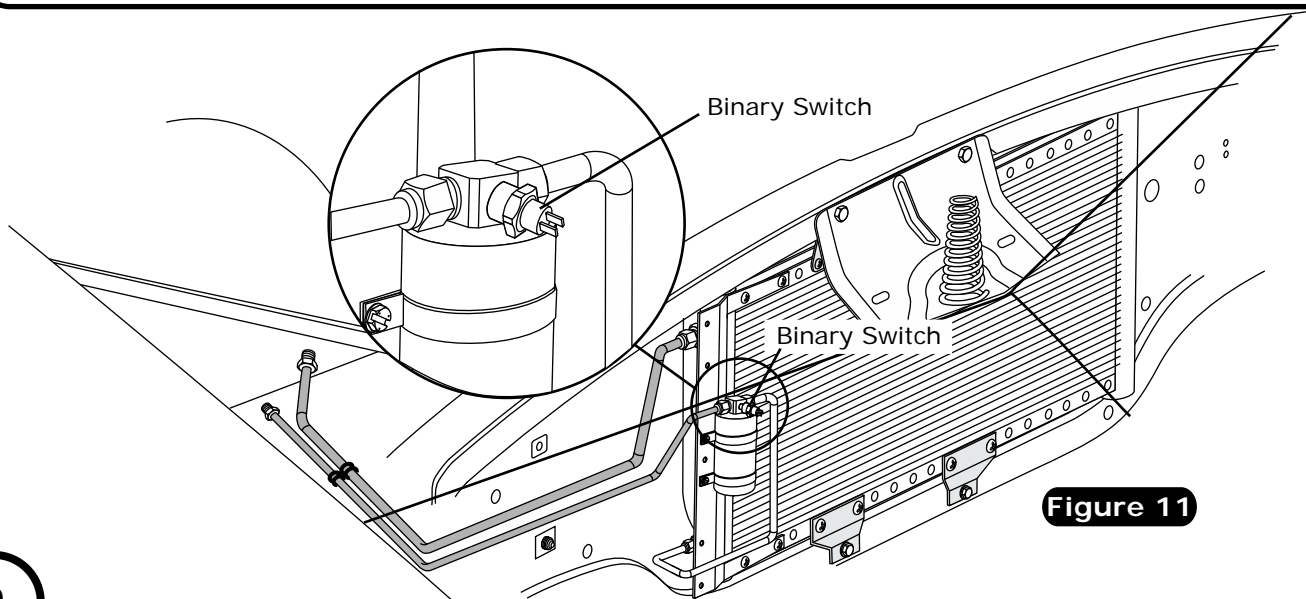
Hardline Bracket Installation

1. Install hardline bracket on inside fender wall using 1/4" flat washer and 1/4-20 x 3/4" hex bolt as shown in Figure 10, below. Attach the #4 and #2 Adel clamps with hardlines to the hardline bracket using a 10-32 x 1/2" Phillips pan machine screw and 10-32 nut with star washer as shown in Figure 10, below.



Binary Switch Installation

1. Install binary switch on drier as shown in Figure 11, below.





Packing List: 1969 Firebird with & without A/C Condenser Kit with Drier (021162)

No.	Qty.	Part No.	Description
1.	1	03766-VUC	14" x 22" Parallel Flow Condenser
2.	2	07113-VUB	Drier Clamp
3.	1	07321-VUC	Drier
4.	1	18148-VUB	5/16" Hex Nut
5.	2	18247-VUB	#10 Sheet Metal Screw
6.	10	18249-VUB	10-24 x 3/8" Pan Head Screw
7.	10	18260-VUB	10-24 Nut with Star Washer
8.	1	18610-VUB	5/16" Lock Washer
9.	2	18611-VUB	5/16" Flat Washer
10.	1	18310-VUB	5/16-18 x 1 1/2" Hex Bolt
11.	3	33857-VUF	#6 O-ring
12.	1	33858-VUF	#8 O-ring
13.	1	31603-VUD	#4 Adel Clamp
14.	1	31600-VUD	#2 Adel Clamp
15.	1	35368-VCG	Hardline #6 Drier/Condenser
16.	1	64268-VCB	Bracket 67-68 Camaro Condenser Top
17.	1	64368-VCB	Bracket 67-68 Camaro Condenser Bottom Right
18.	1	64468-VCB	Bracket 67-68 Camaro Condenser Bottom Left
19.	1	65998-VUB	Universal Drier Bracket 14-3/4"
20.	1	11079-VUS	Male Binary Switch
21.	1	23135-VUW	Compressor Lead
22.	1	091961	Hardline 69 Firebird #8 Condenser
23.	1	091960	Hardline 69 Firebird #6 Drier/Core
24.	1	644025	Bracket 74-81 Camaro Hardline Assembly
25.	1	18250-VUB	10-32 x 1/2" Phillips Pan Machine Screw
26.	1	18251-VUB	10-32 Nut with Star Washer
27.	1	18125-VUB	1/4" Flat Washer
28.	1	182871	1/4-20 x 3/4" Hex Bolt

Checked By: _____
Packed By: _____
Date: _____

