

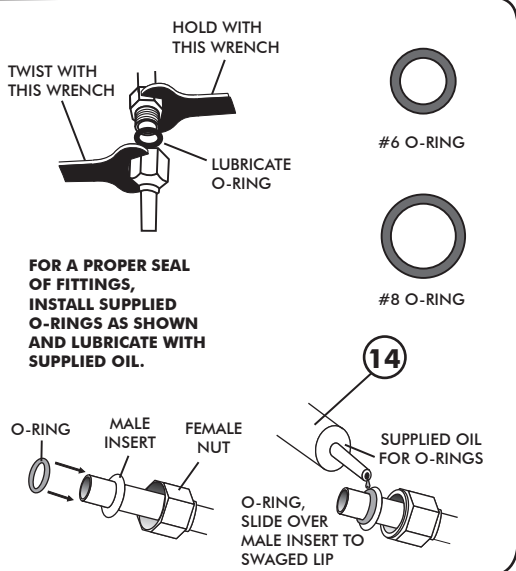
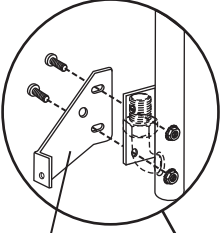
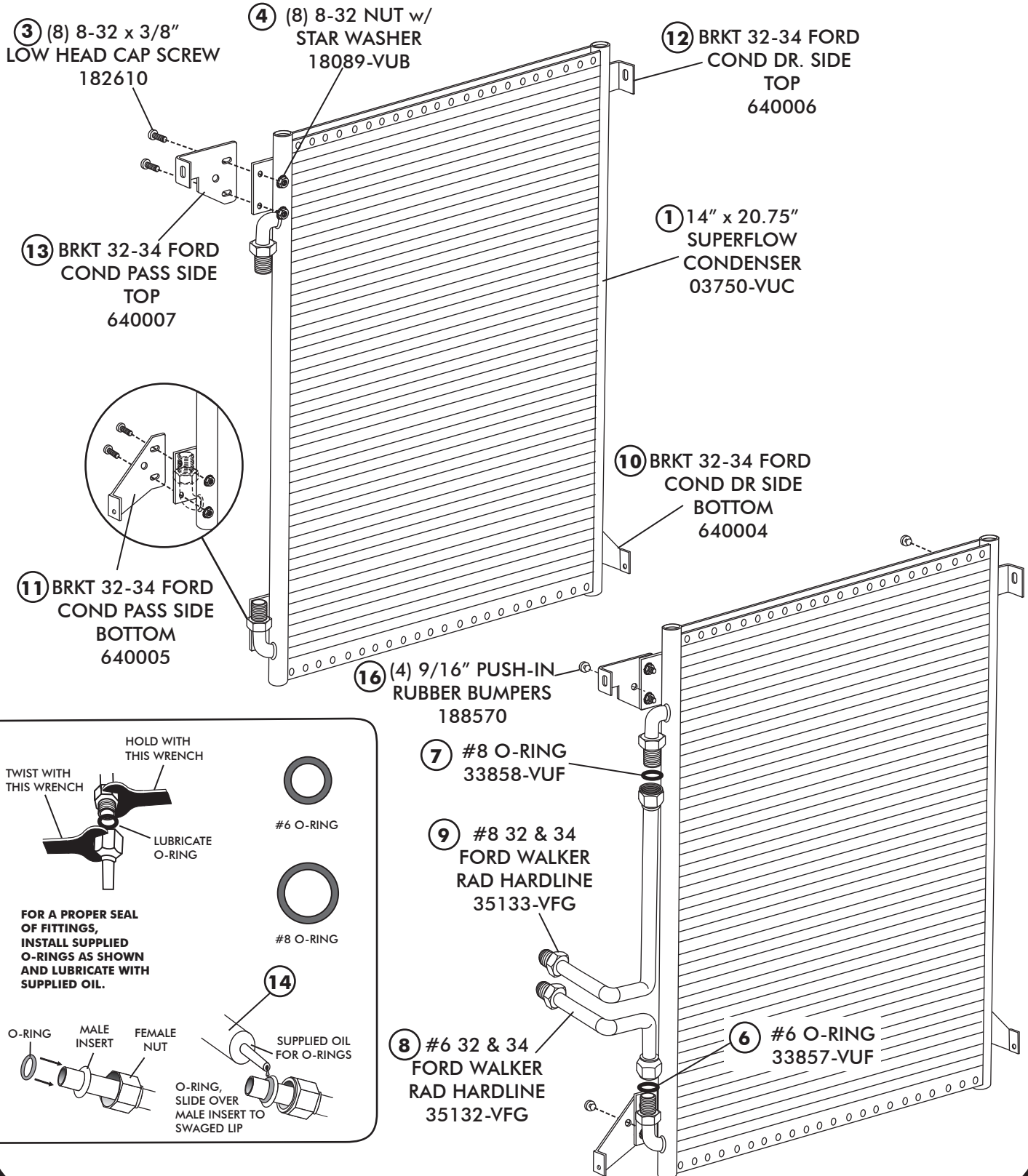


# 1932-34 FORD

COND w/ WALKER RADIATOR

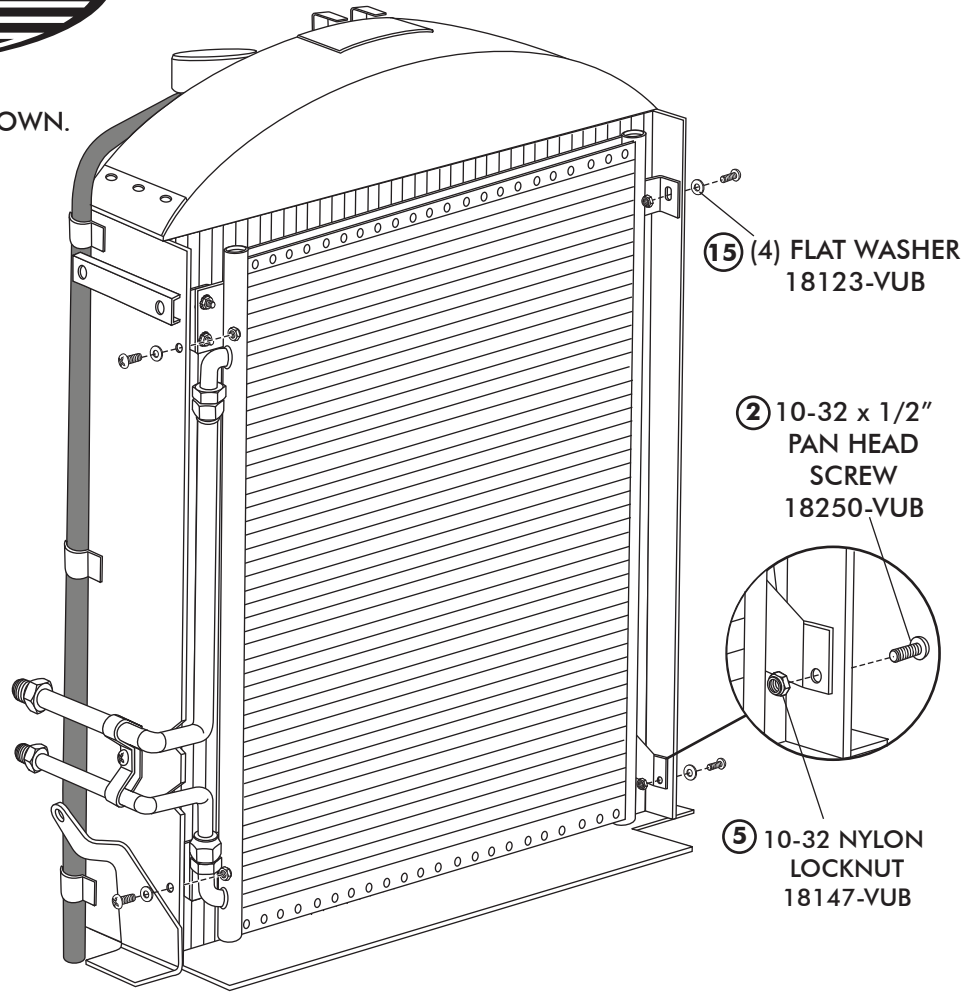
03032-OFV

☐ INSTALL BRACKETS AS SHOWN.





□ INSTALL CONDENSER AS SHOWN.



**CONDENSER KIT PACKING LIST**

**CONDENSER KIT**  
03032-OFV

No.	QTY.	PART No.	DESCRIPTION	
1.	1	03750-VUC	SUPER FLOW CONDENSER 14 x 20.750	_____
2.	4	18250-VUB	10-32 x 1/2 PAN HEAD SCREW	_____
3.	8	182610	8-32 x 3/8 LOW HEAD CAP SCREW	_____
4.	8	18089-VUB	8-32 NUT w/ STAR WASHER	_____
5.	4	18147-VUB	10-32 NYLON LOCKNUT	_____
6.	1	33857-VUF	#6 O-RING	_____
7.	1	33858-VUF	#8 O-RING	_____
8.	1	35132-VFG	#6 32 FORD WALKER RAD HRDLN	_____
9.	1	35133-VFG	#8 32 FORD WALKER RAD HRDLN	_____
10.	1	640004	BRKT 32-34 FORD COND DR SIDE BOTTOM	_____
11.	1	640005	BRKT 32-34 FORD COND PASS SIDE BOTTOM	_____
12.	1	640006	BRKT 32-34 FORD COND DR SIDE TOP	_____
13.	1	640007	BRKT 32-34 FORD COND PASS SIDE BOTTOM	_____
14.	1	41117-VUP	REFRIGERANT OIL TUBE	_____
15.	4	18123-VUB	3/16 x .500 SAE FLAT WASHER	_____
16.	4	188570	9/16 PUSH IN RUBBER BUMPERS	_____

CHECKED BY: \_\_\_\_\_  
 PACKED BY: \_\_\_\_\_  
 DATE: \_\_\_\_\_