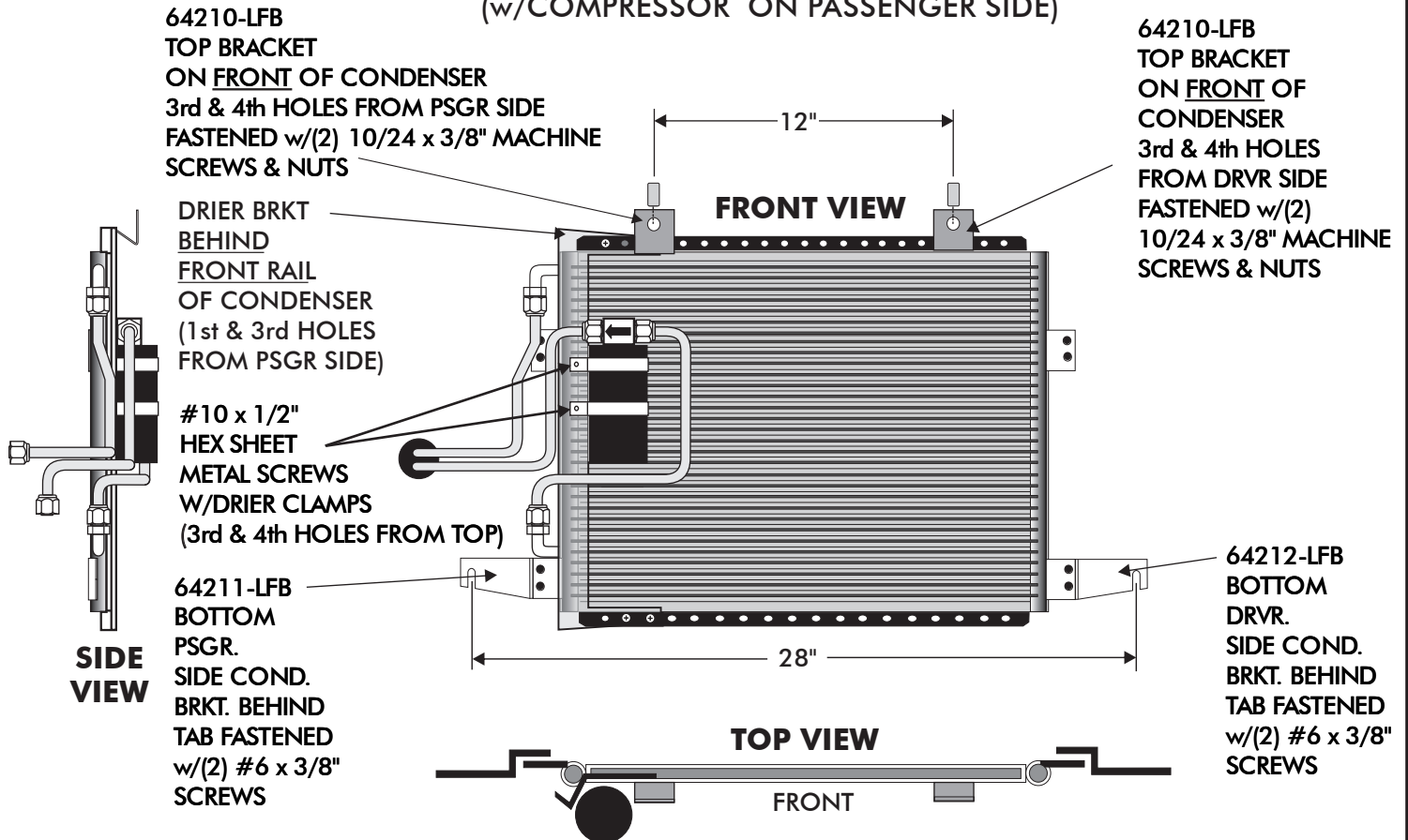




03354-LFC 1953-56 FORD F-100 CONDENSER KIT

WITH DRIER, WITH COMPRESSOR ON PASSENGER SIDE

1953-56 FORD F-100 TRUCK CONDENSER KIT (w/COMPRESSOR ON PASSENGER SIDE)



1953-56 F-100 CONDENSER KIT (WITH DRIER w/COMPRESSOR ON PASSENGER SIDE)

No.	PART NUMBER	PART DESCRIPTION	QTY.
1.	03768-VUC	17 x 19 PARALLEL FLOW CONDENSER	1
2.	07113-VUB	DRIER CLAMPS	2
3.	07321-VUC	STANDARD DRIER	1
4.	18233-VUB	#6 x 3/8" PAN HEAD SCREW	4
5.	18247-VUB	#10 x 1/2" HEX SHEET METAL SCREW	2
6.	18249-VUB	#10-24 x 3/8" MACHINE SCREW	9
7.	18260-VUB	#10-24 NUTS W/STAR WASHER	9
8.	18290-VUB	1/4-20 x 1" BOLT	2
9.	18978-VUB	1/4-20 U-NUT	2
10.	31600-VUD	#2 ADEL CLAMP	1
11.	31603-VUD	#4 ADEL CLAMP	1
12.	33134-VUI	GROMMET (2-HOLE)	1
13.	33857-VUF	#6 O-RING	3
14.	33858-VUF	#8 O-RING	1
15.	35013-LFG	#6 ALUM. HARDLINE DRIER TO ENGINE COMP.	1
16.	35014-LFG	#8 ALUM. HARDLINE COND. TO ENGINE COMP. (PASS.)	1
17.	35175-VFG	#6 ALUM. HARDLINE COND. TO DRIER	1
18.	64210-LFB	TOP CONDENSER BRACKET	2
19.	64211-LFB	BOTTOM CONDENSER BRACKET (PASSENGER)	1
20.	64212-LFB	BOTTOM CONDENSER BRACKET (DRIVER)	1
21.	64215-LFB	HARDLINE BRACKET	1
22.	64776-VUB	'40 FORD CONDENSER BRACKET	1