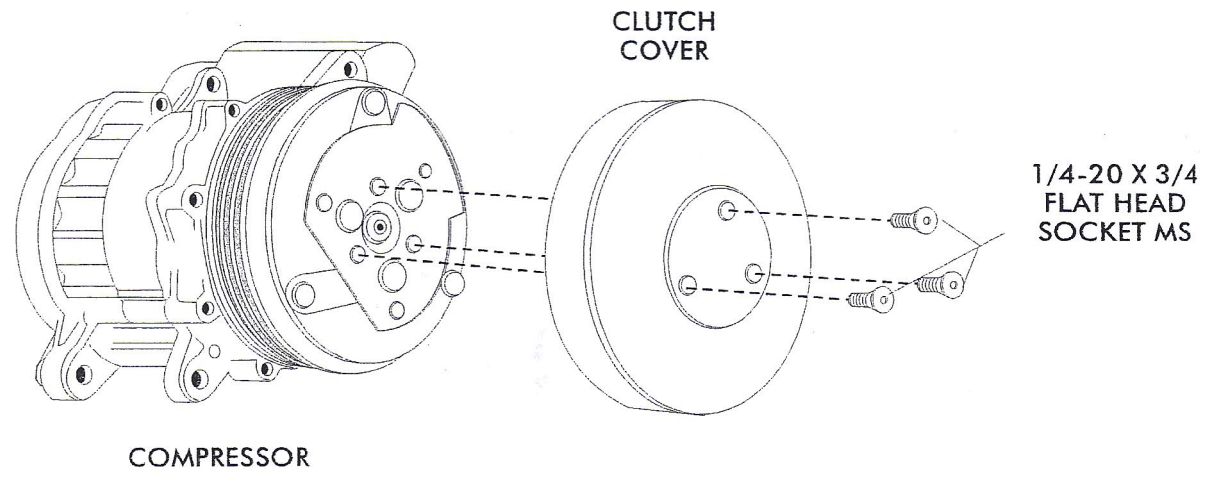




FRONT RUNNER CLUTCH COVER POLISHED 04408-MCP

CLUTCH COVER INSTALLATION

- HOLD CLUTCH COVER OVER FRONT OF COMPRESSOR AND INSTALL THE FLAT HEAD SOCKET BOLTS THROUGH COVER AND THREAD INTO COMPRESSOR CLUTCH. TIGHTEN EVENLY TO PREVENT WOBBLE.



FRONT RUNNER CLUTCH COVER PACKING LIST

**CLUTCH COVER KIT
04408-MCP**

No.	QTY.	PART No.	DESCRIPTION
1.	1	04406-MCP	CLUTCH COVER POLISHED
2.	3	18011-VUB	1/4-20 X 3/4 SS FLAT SOCKET MS

CHECKED BY: _____
 PACKED BY: _____
 DATE: _____

