



1970-72 CHEVELLE PS #8 COND/COMP HRDLN KIT

- LUBRICATE A #8 O-RING (SEE FIGURE 1a, BELOW) AND INSTALL THE #8 CONDENSER/COMPRESSOR HARDLINE AS SHOWN IN FIGURE 1 BELOW. TIGHTEN FITTINGS AS SHOWN IN FIGURE 1a, BELOW.
- INSTALL NEW GROMMET.

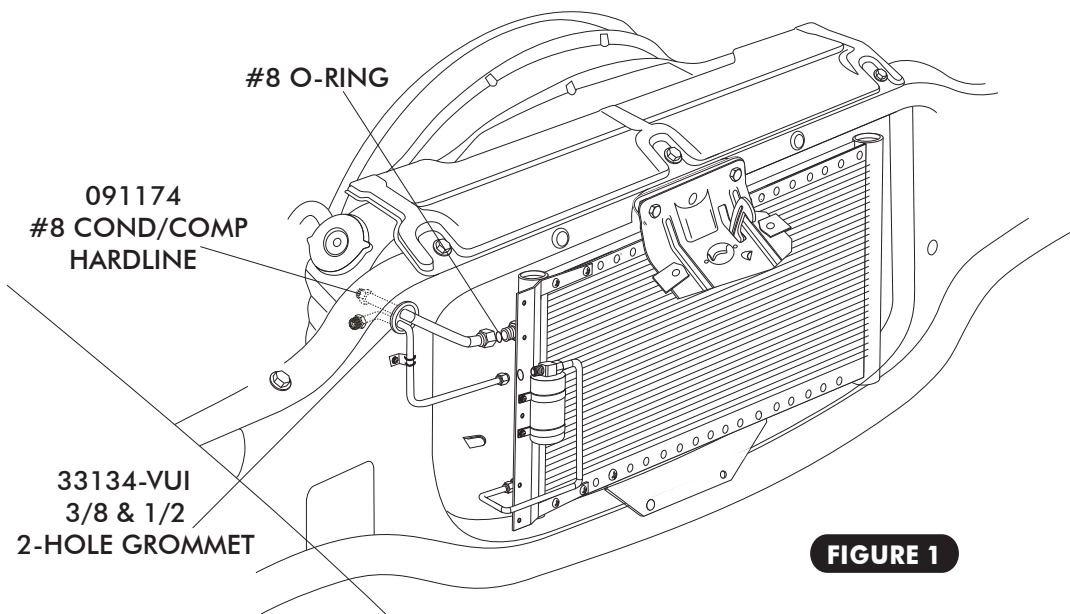


FIGURE 1

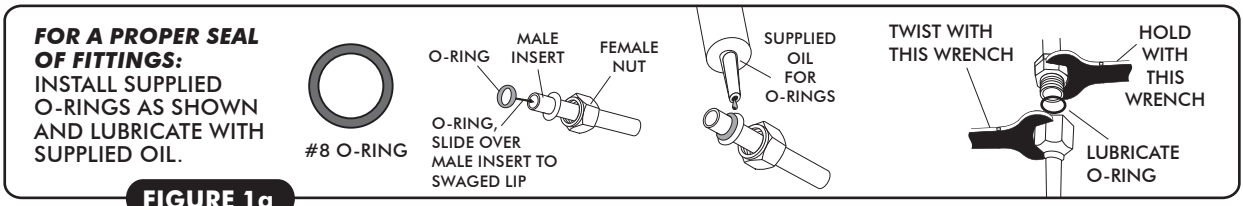


FIGURE 1a

1970-72 CHEVELLE PS #8 COND/COMP HARDLINE KIT PACKING LIST

**HARDLINE KIT
091170**

No.	QTY.	PART No.	DESCRIPTION
1.	1	33858-VUF	#8 O-RING
2.	1	091174	70-72 CHEVELLE PS #8 COND/COMP HARDLINE
3.	1	33134-VUI	3/8 & 1/2 2-HOLE GROMMET



CHECKED BY: _____
 PACKED BY: _____
 DATE: _____