



1969-70 MUSTANG VA BLOWER SWITCH KIT

BLOWER SWITCH INSTALLATION

- REMOVE OEM BLOWER SWITCH FROM OEM CONTROL PANEL. SEE FIGURE 1. **NOTE: DISCARD SWITCH, AND . RETAIN OEM MOUNTING SCREW.**
- USING (2) #6 x 1/4 PH PAN HEAD SCREWS, INSTALL 3-SPD LEVER BLOWER SWITCH ON BRACKET AS SHOWN IN FIGURE 2.
- USING THE OEM SCREW, INSTALL BLOWER SWITCH AND BRACKET ONTO CONTROL PANEL AS SHOWN IN FIGURE 2.
- INSTALL OEM CONTROL KNOB ONTO BLOWER SWITCH LEVER AS SHOWN IN FIGURE 3.

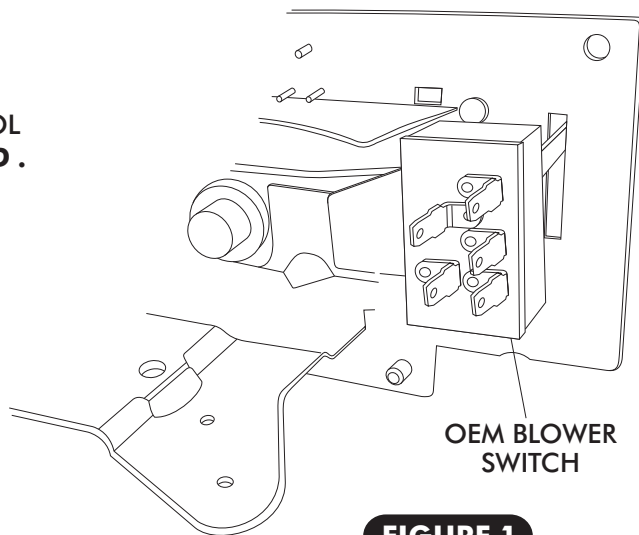


FIGURE 1

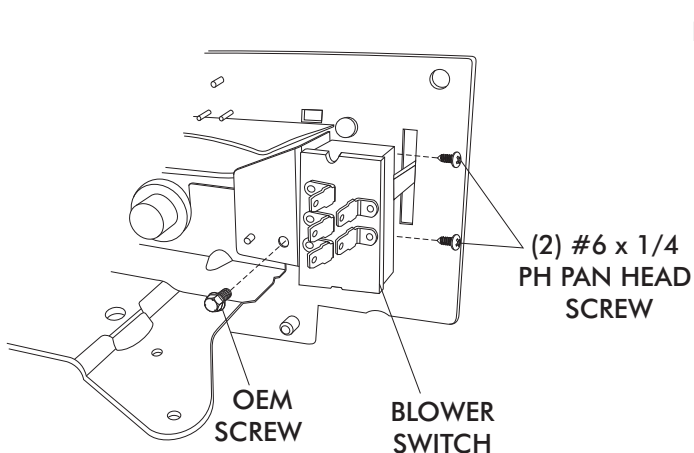


FIGURE 2

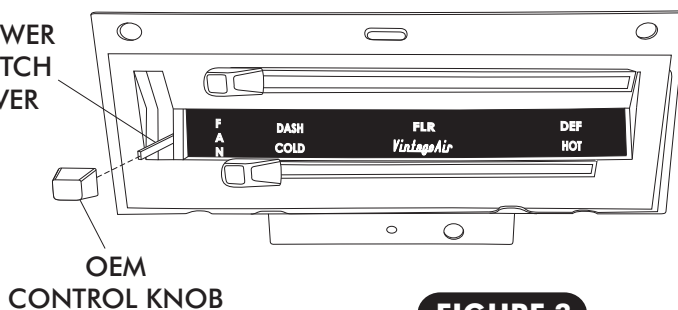
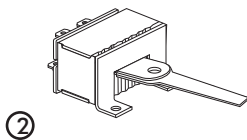
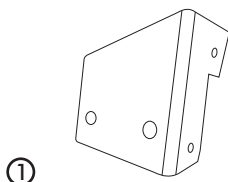


FIGURE 3

1969-70 MUSTANG VA BLOWER SWITCH KIT PACKING LIST

BLOWER SWITCH KIT
110069

No.	QTY.	PART No.	DESCRIPTION
1.	1	641274	1969-70 MUSTANG BLOWER SWITCH BRKT
2.	1	110070	1969-70 MUSTANG VA BLOWER SWITCH ASM
3.	2	18231	#6 x 1/4 PH PAN HEAD SCREW



CHECKED BY: _____
PACKED BY: _____
DATE: _____