



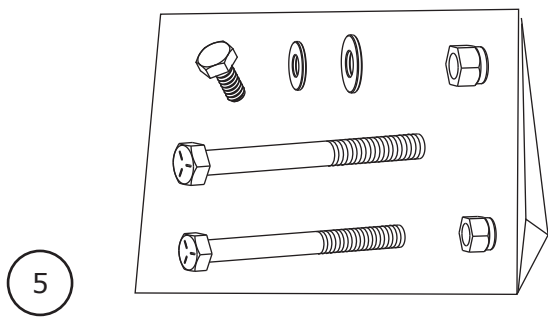
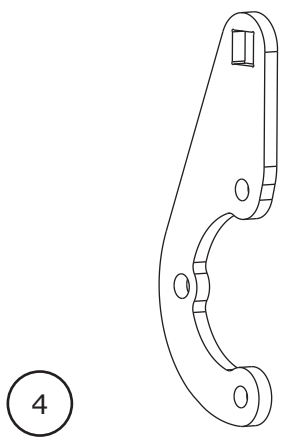
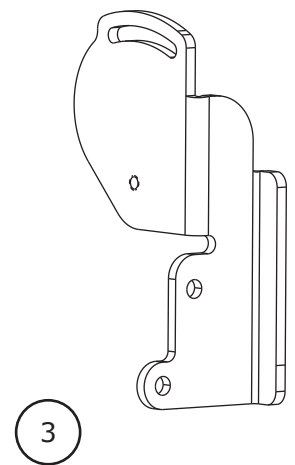
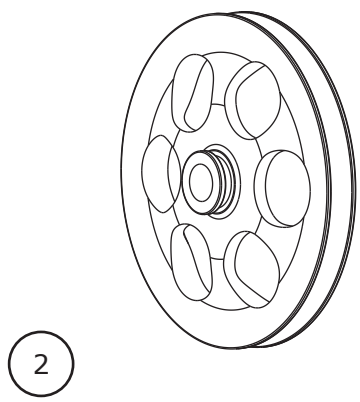
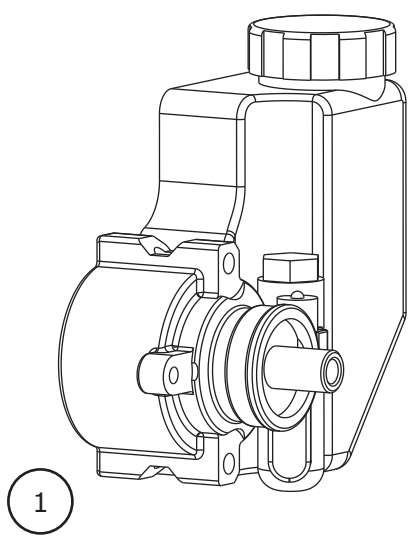
www.vintageair.com

**Packing List:
223 Ford**

Power Steering Add-On Kit (131140)

No.	Qty.	Part No.	Description
1.	1	851001	Power Steering Pump with Reservoir
2.	1	730011	Pulley, Power Steering
3.	1	131139	Bracket, Power Steering
4.	1	131120	Bracket, Power Steering Adjustment
5.	1	191047	Hardware Kit

Checked By: _____
 Packed By: _____
 Date: _____



**NOTE: Images may not depict actual parts and quantities.
 Refer to packing list for actual parts and quantities.**