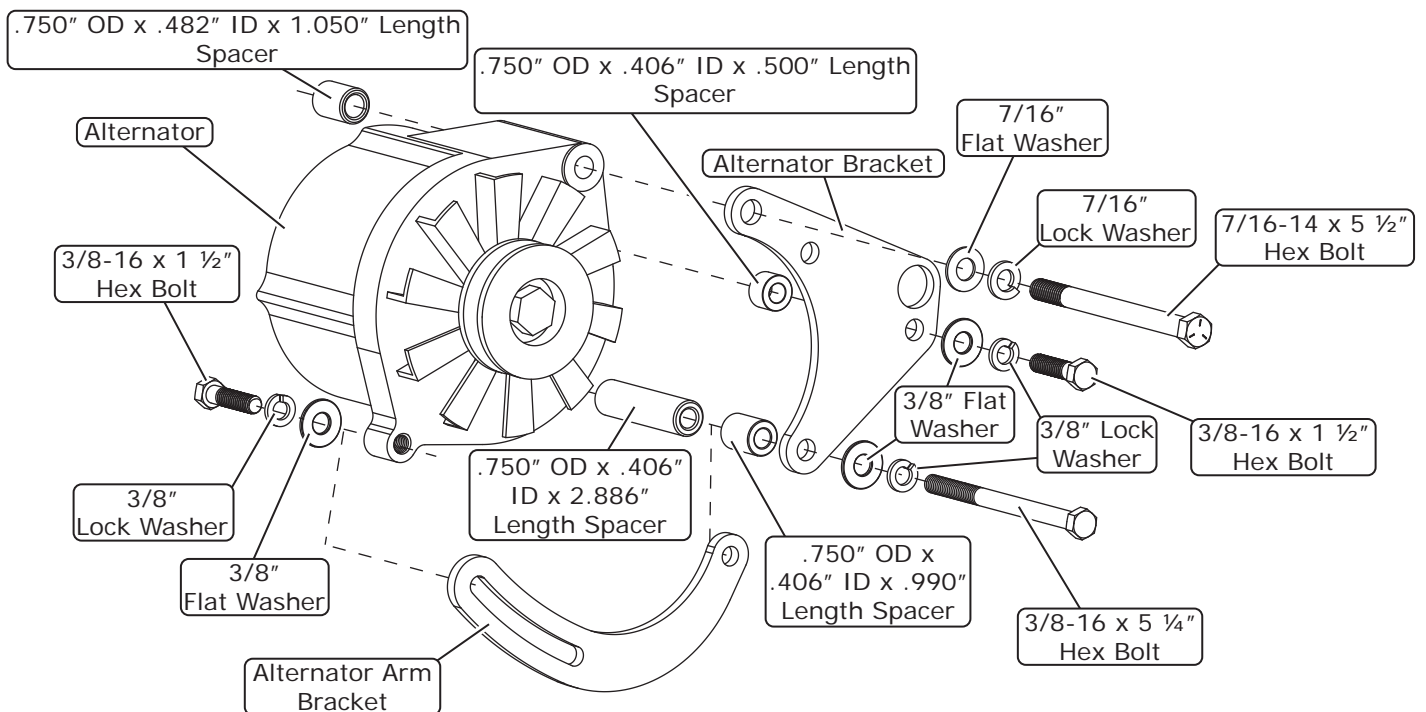




www.vintageair.com

429/460 Ford Low Mount Alternator Bracket Kit (137023)

1. Locate the 3/8-16 x 1 1/2" hex bolt, the 3/8" lock washer and the 3/8" flat washer. Install them into the alternator bracket, then through the .750" OD x .406" ID x .500" length spacer, and finally into the water pump (See below).
2. Locate the 7/16-14 x 5 1/2" hex bolt, the 7/16" lock washer and the 7/16" flat washer. Install them into the alternator bracket, through the .750" OD x .482" ID x 1.050" length spacer, and finally into the block (See below).
3. Locate the 3/8-16 x 5 1/4" hex bolt, the 3/8" lock washer and the 3/8" flat washer. Install them into the alternator bracket, through the .750" OD x .406" ID x .990" length spacer and alternator arm bracket, into the .750" OD x .406" ID x 2.886" length spacer, and finally into the block (See below).
4. Locate the 3/8-16 x 1 1/2" hex bolt, the 3/8" lock washer and the 3/8" flat washer. Install them through the alternator and into the alternator arm bracket (See below).



Packing List:

No.	Qty.	Part No.	Description
1.	1	137024	Bracket, Alternator
2.	1	137025	Bracket, Alternator Arm
3.	1	181552	Bolt, 7/16-14 x 5 1/2", Hex
4.	1	18377-VUB	Bolt, 3/8-16 x 5 1/4", Hex
5.	2	18361-VUB	Bolt, 3/8-16 x 1 1/2", Hex
6.	1	18031-VUB	Lock Washer, 7/16"
7.	1	18425-VUB	Washer, 7/16", Flat
8.	3	18029-VUB	Washer, 3/8", Flat
9.	3	18030-VUB	Lock Washer, 3/8"
10.	1	180057	Spacer, .750" OD x .482" ID x 1.050" Length
11.	1	18064-SSR	Spacer, .750" OD x .406" ID x .500" Length
12.	1	182103	Spacer, .750" OD x .406" ID x .990" Length
13.	1	182020	Spacer, .750" OD x .406" ID x 2.886" Length

Checked By: _____
 Packed By: _____
 Date: _____