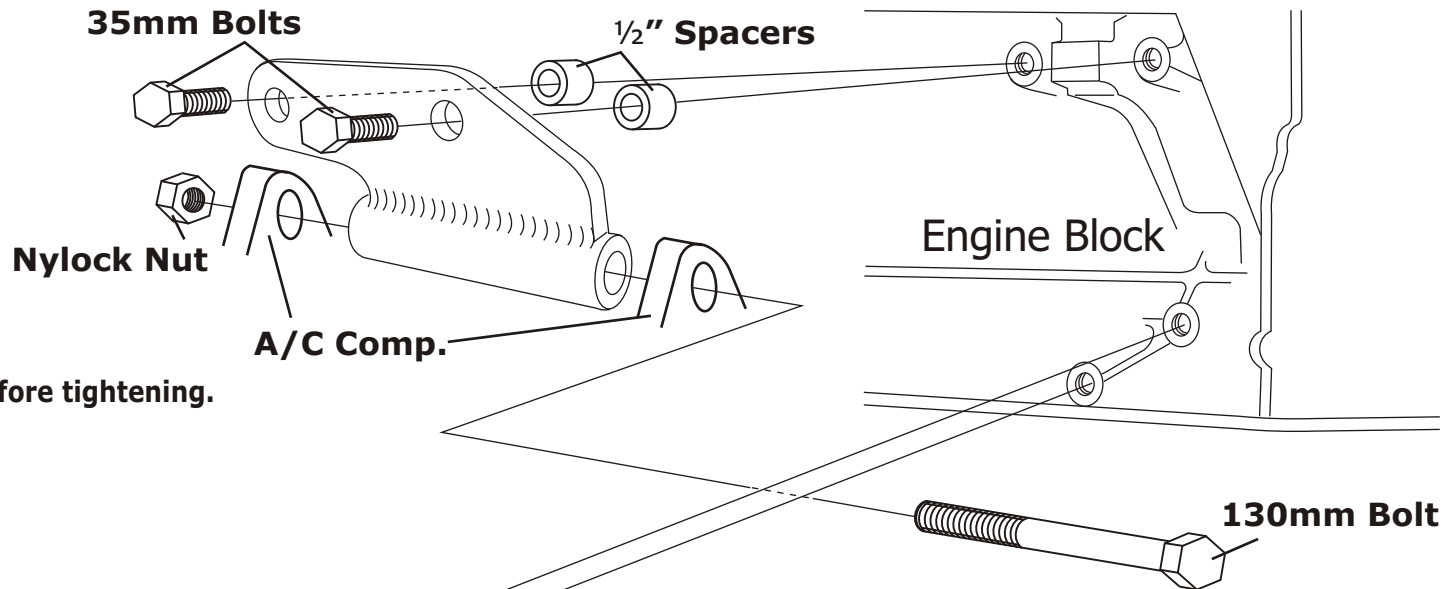


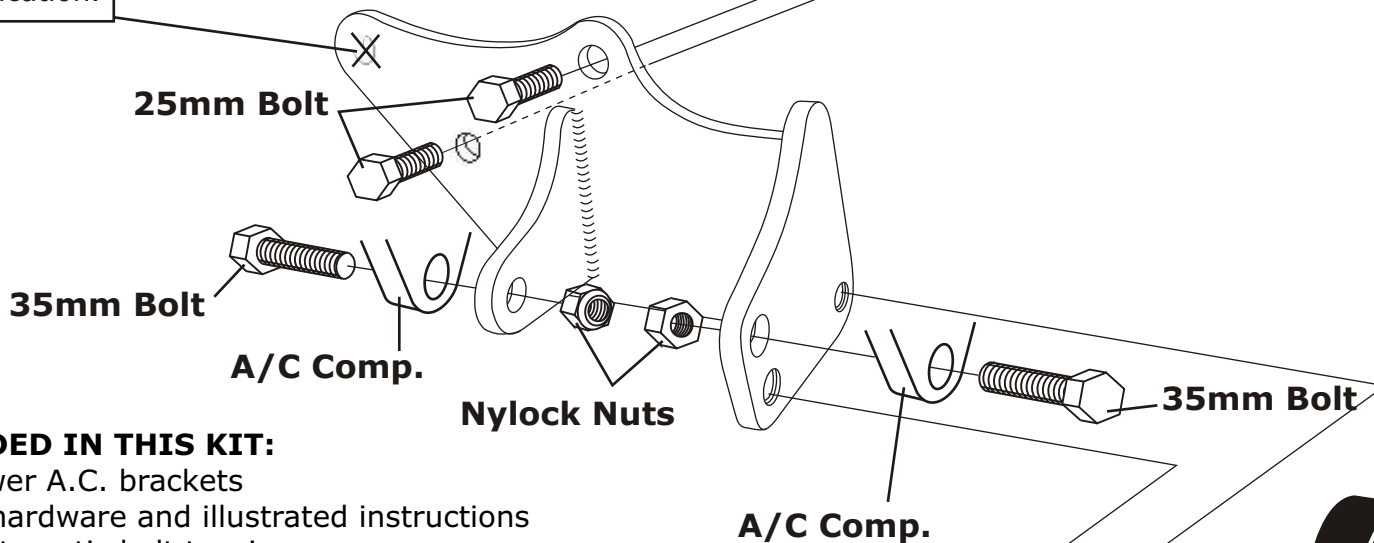
A.C. Compressor Mount 141809

LS1 Camaro/Firebird Motors - Low Mount



***Note:** Be sure to start all bolts before tightening.

***Note:** This hole is for the cast iron LS truck block and will not be used in this application.



PARTS INCLUDED IN THIS KIT:

- Upper and Lower A.C. brackets
- All necessary hardware and illustrated instructions
- Heavy duty automatic belt tensioner.
- 37" Four rib belt (Dayco# 5040365)

*** Compressor and belt information:**- This bracket is designed for the Sanden 508 A.C. Compressor (Sanden Part # 4514). sanden Compressors are equipped with a 7 groove clutch pulley, **only the rear 4 grooves will be used in this application.**

This bracket is designed for Gen III GM LS1 Camaro and firebird Motors. AS WITH ANY PARTS OF THIS NATURE, MAKE SURE IT FITS YOUR APPLICATION BEFORE PAINTING OR PLATING. PARTS THAT HAVE BEEN PAINTED, PLATED OR MODIFIED MAY NOT BE RETURNED.

