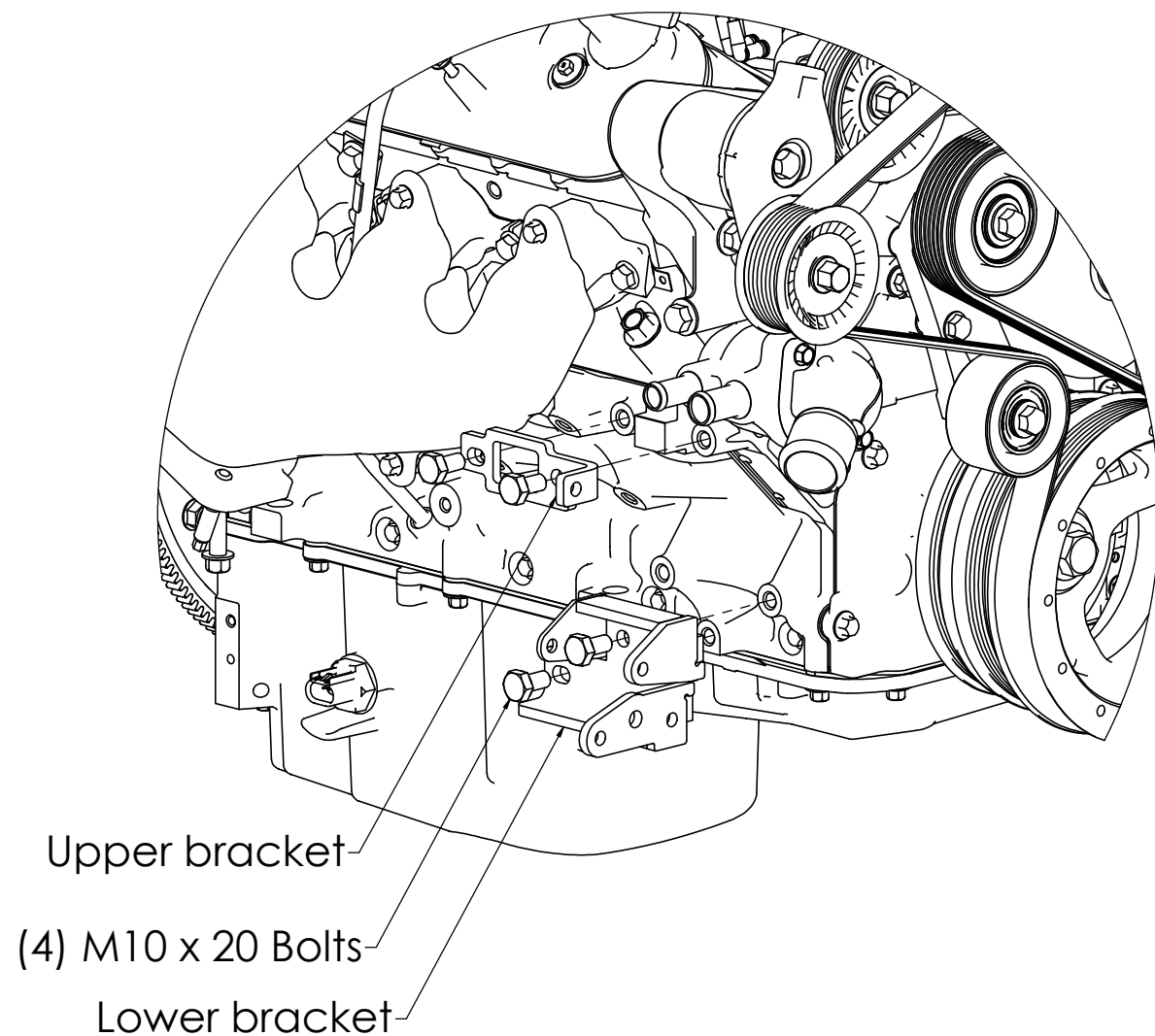


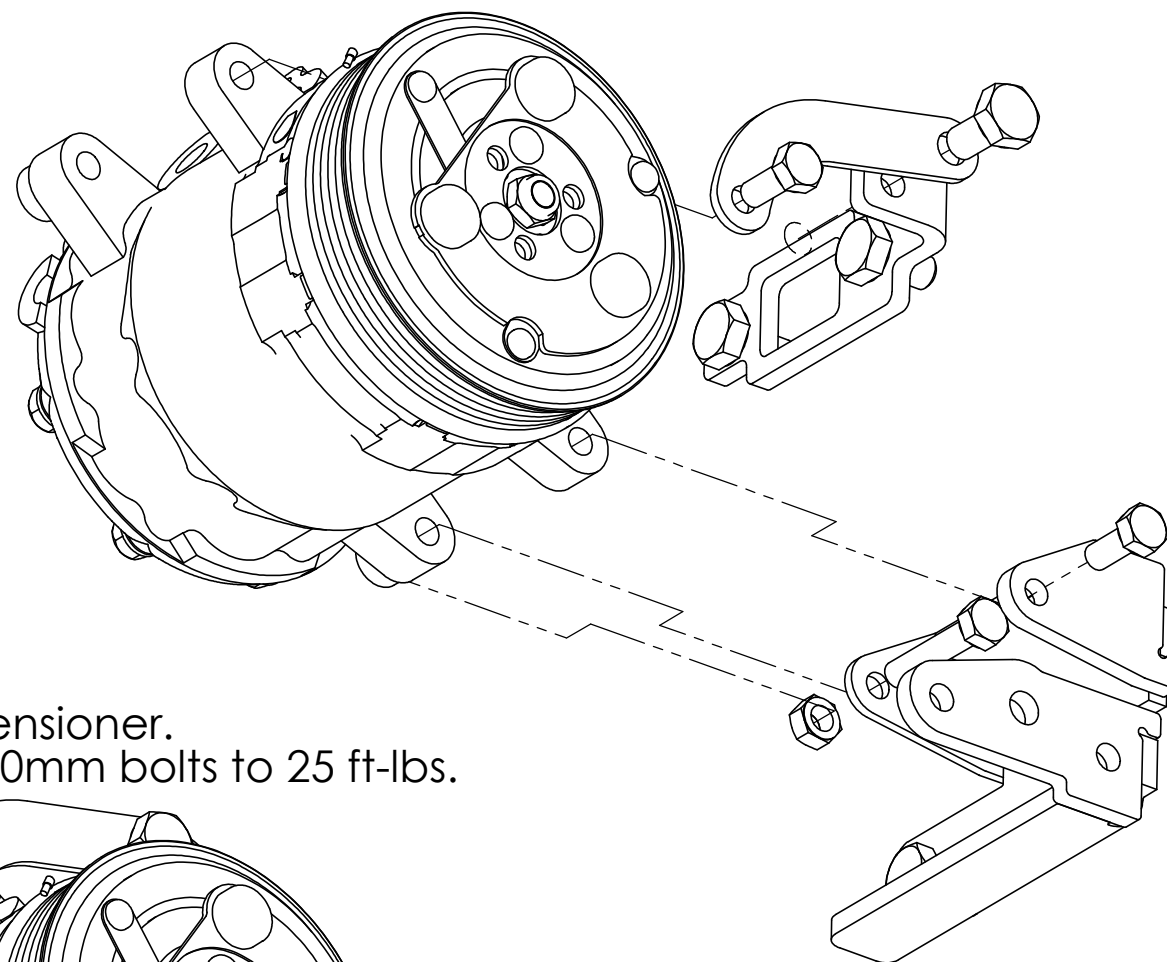
K10355 (Corvette, LSA) [shown]
K10420 (Gen 4 F-body)
K10421 (Truck & Gen 5 Camaro)
Sanden SD7 model 7176 AC
Low-mount Bracket



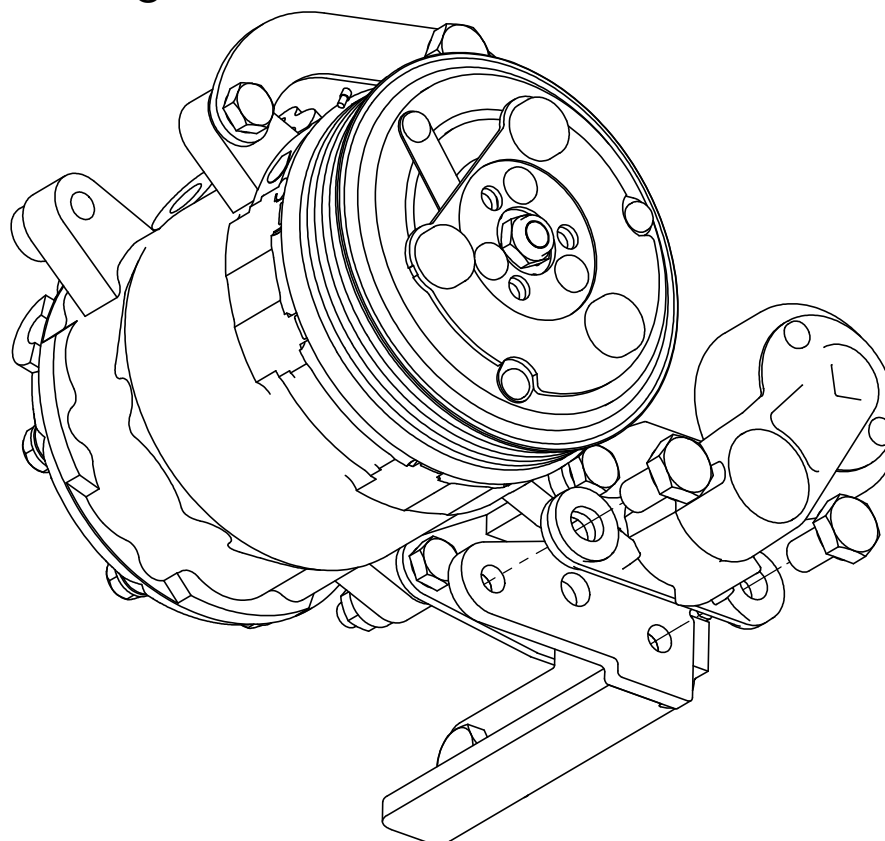
1. Bolt brackets to passenger side of block.
Tighten 10mm bolts to 25 ft-lbs.



2. Attach Sanden 7176 compressor.
Do not use Sanden 508 style.
Tighten 10mm bolts to 25 ft-lbs.
Tighten 8mm bolts to 15 ft-lbs.



3. Attach tensioner.
Tighten 10mm bolts to 25 ft-lbs.



4. Install belt.
• K10355 & K10420: Gates K040398
• K10421: Gates K040405