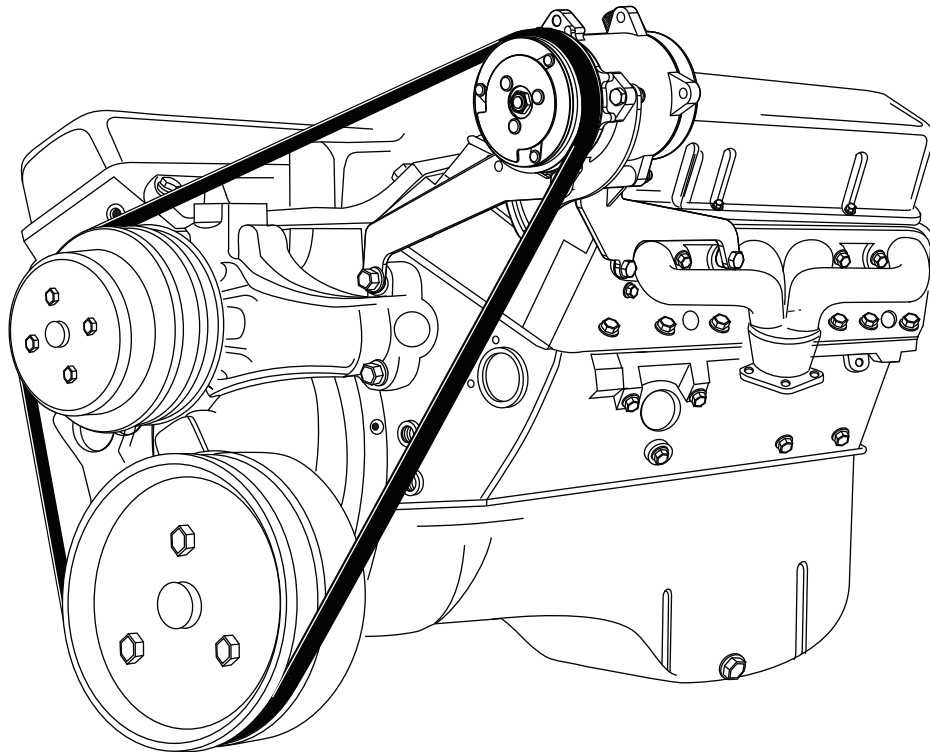




Small Block Chevrolet

Driver Side, Long Pump with Headers
Compressor Bracket Kit
(151110)



18865 Goll St. San Antonio, TX 78266
Phone: 800-862-6658
Sales: sales@vintageair.com
Tech Support: tech@vintageair.com
www.vintageair.com



www.vintageair.com

Table of Contents

Cover..... 1

Table of Contents..... 2

Packing List/Parts Disclaimer..... 3

OEM Bolt Removal, Rear Mounting Bracket Installation..... 4

Front Mounting Bracket Installation, Compressor Mounting Bracket Installation..... 5

Compressor Mounting Bracket Installation (Cont.), Belt Routing..... 6

Compressor Warnings..... 7

Packing List..... 8

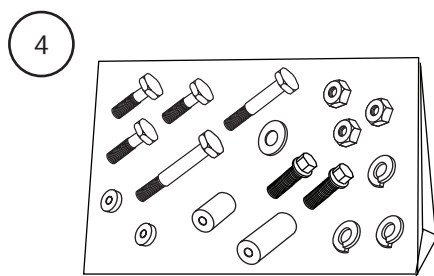
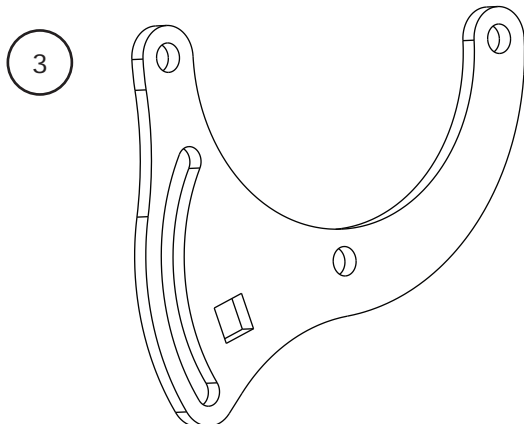
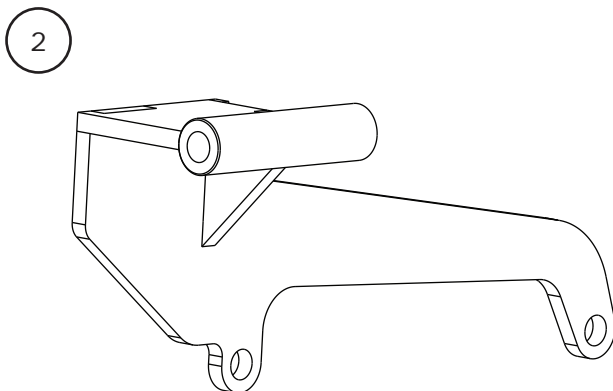
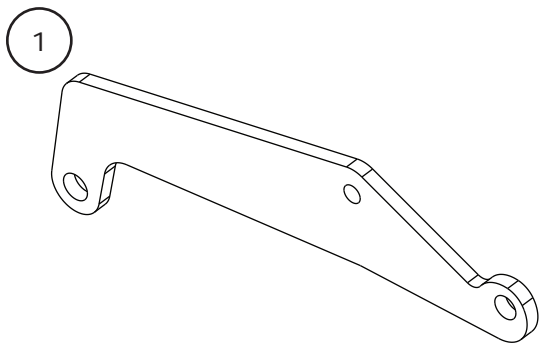


www.vintageair.com

Packing List: Bracket Kit (151110)

No.	Qty.	Part No.	Description
1.	1	146001-SCR	Bracket, Front Mounting
2.	1	142416	Bracket, Rear Mounting
3.	1	146006-SCR	Bracket, Compressor Mounting
4.	1	191125	Hardware Kit

**** Before beginning installation, open all packages and check contents of shipment. Please report any shortages directly to Vintage Air within 15 days. After 15 days, Vintage Air will not be responsible for missing or damaged items.**



NOTE: Images may not depict actual parts and quantities. Refer to packing list for actual parts and quantities.

NOTE: Before tightening bolts, assemble all brackets loosely to engine. This will ensure proper alignment of all brackets.

www.vintageair.com

OEM Bolt Removal

1. Remove the driver side top water pump mounting bolt (discard) as shown in Figure 1, below.
2. Remove the 1st and 3rd driver side header bolts (discard) as shown in Figure 1, below.

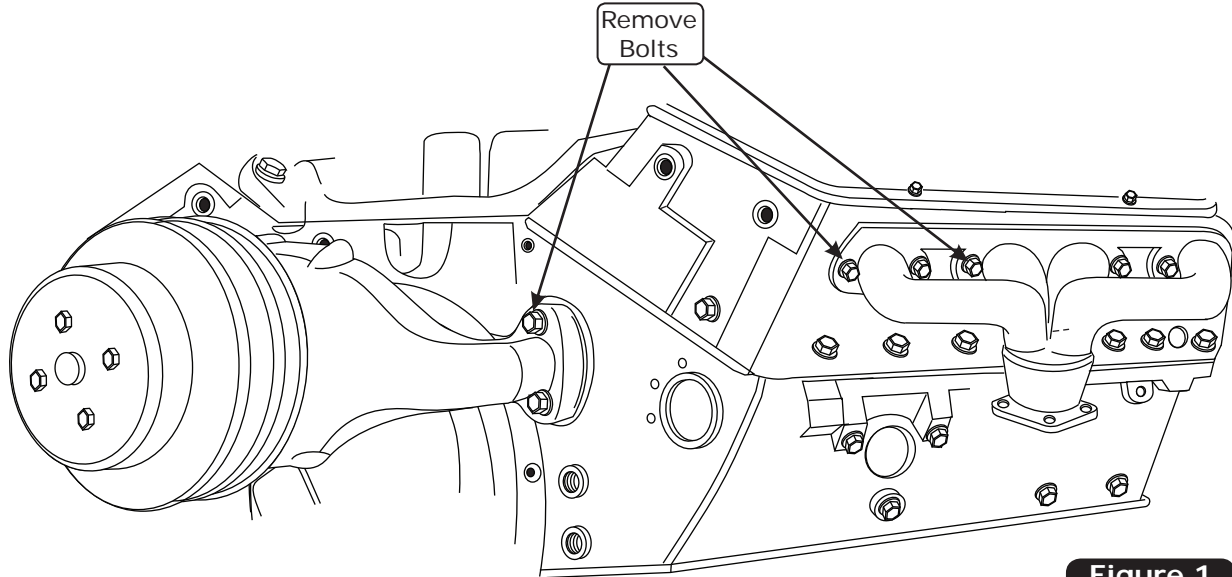


Figure 1

Rear Mounting Bracket Installation

1. Install the rear mounting bracket onto the header using (2) 3/8-16 x 1 1/4" 6-point bolts (See Photo 1, below). **NOTE:** For 1/4" flanged headers, use 1/8" spacers between the header flange and the bracket. For 3/8" flanged headers, the bracket will mount directly to the header flange.

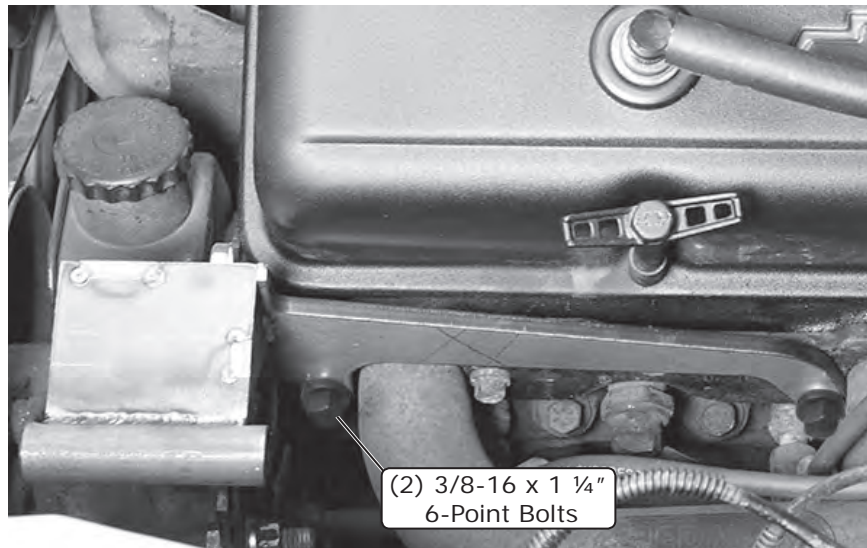


Photo 1

Front Mounting Bracket Installation

1. Install the front mounting bracket onto the water pump mounting ear using a 3/8-16 x 4" hex bolt, a 3/8" lock washer and a .750" OD x .406" ID x 1.625" length steel spacer as shown in Photo 1, below.

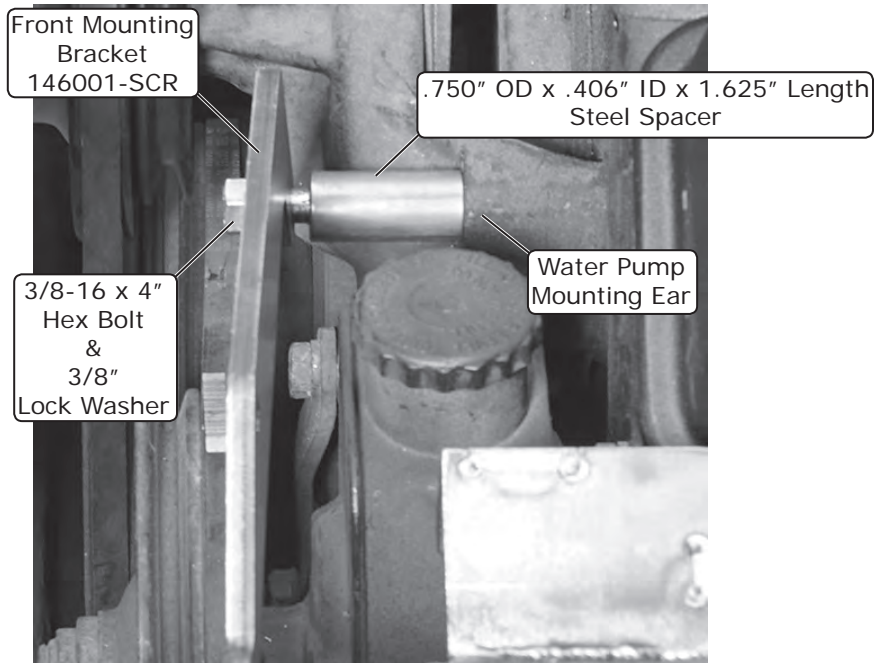


Photo 1

Compressor Mounting Bracket Installation

1. Install the compressor mounting bracket onto the compressor using (2) 3/8-16 x 1 1/4" hex bolts and (2) 3/8" locknuts as shown in Figure 1, below.

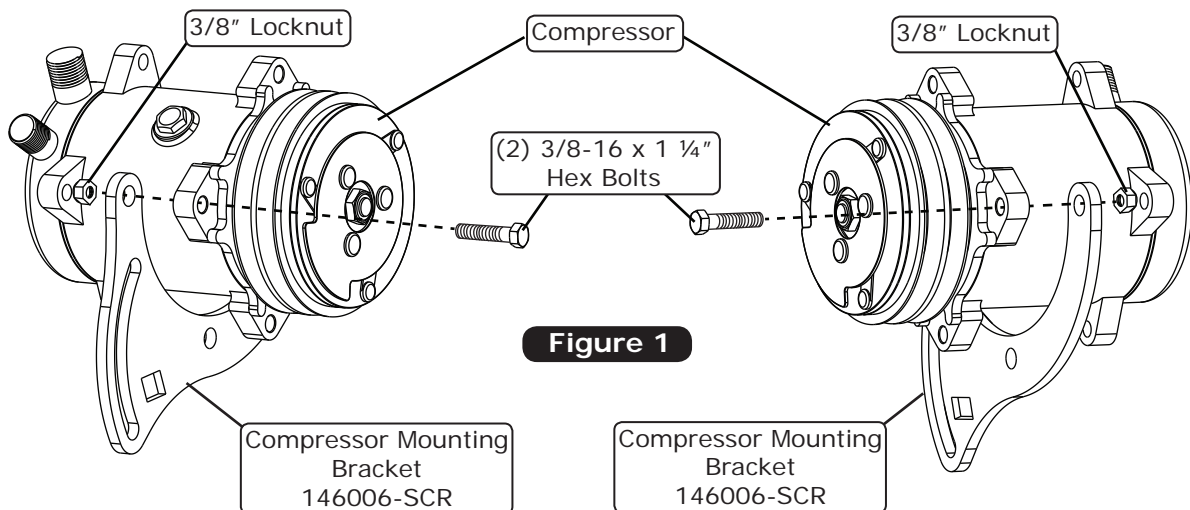


Figure 1

Compressor Mounting Bracket Installation (Cont.)

2. Install the compressor assembly onto the front and rear mounting brackets using a 3/8-16 x 5 1/4" hex bolt and a 3/8" locknut as shown in Photo 1, below.
3. Install the .750" OD x .406" ID x .563" length steel spacer in front of the compressor mounting bracket and behind the front mounting bracket. Install the 3/8-16 x 1 1/4" hex bolt and 3/8" flat washer through the slot behind the compressor mounting bracket into the steel spacer, and then into the threaded hole on the front mounting bracket as shown in Photo 2, below.

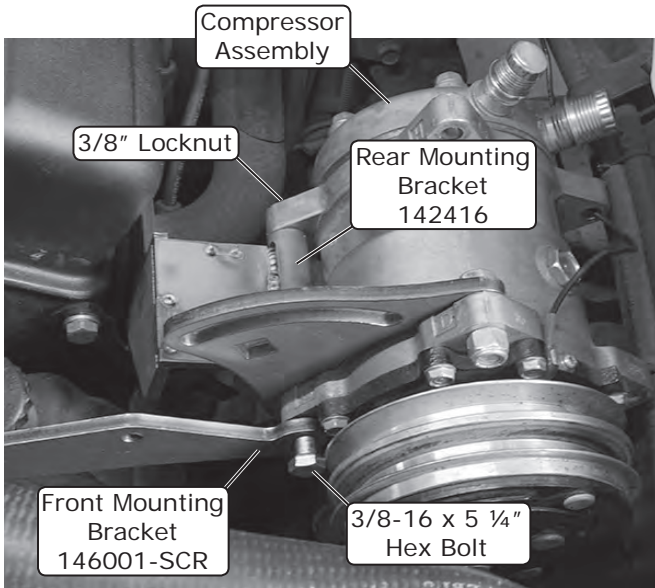


Photo 1

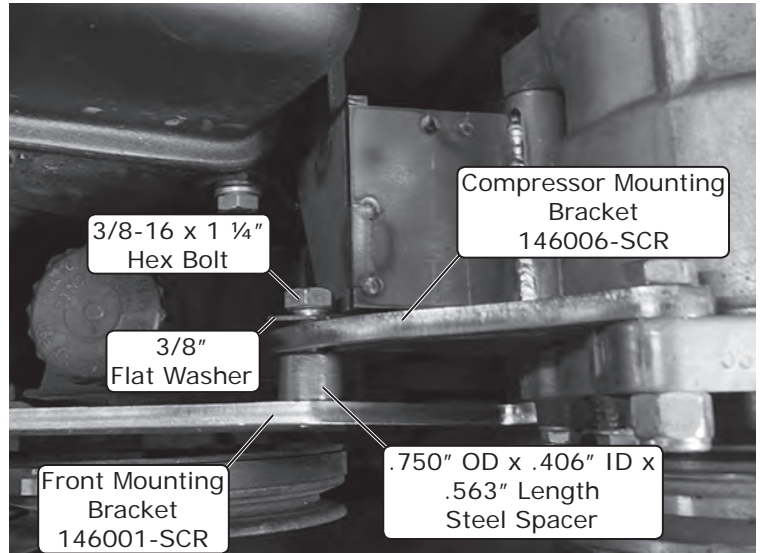


Photo 2

Belt Routing

1. Route belts as shown in Figure 1, below. Vintage Air recommends using only Dayco, Gates or Goodyear brand reinforced V-belts with this compressor. Any use of lesser-quality belts may cause the compressor to perform improperly. A compressor belt length of 58" to 59" is recommended. **NOTE: This can vary with the diameter of the water pump and crankshaft pulleys.**

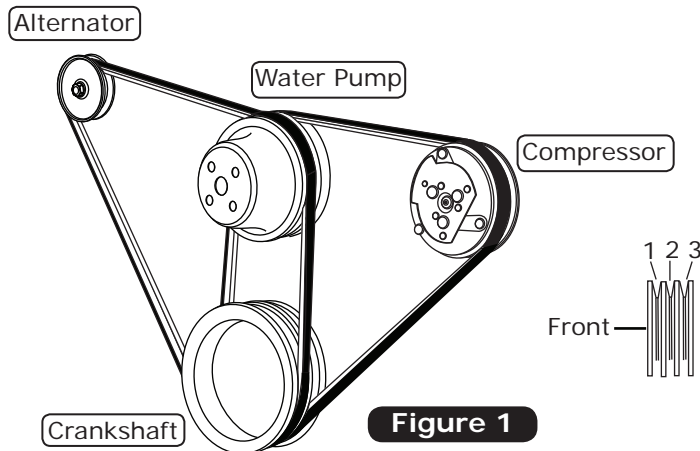


Figure 1



www.vintageair.com

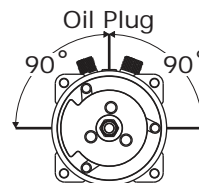
Compressor Warnings

NOTE: Failure to follow these procedures may void all warranties.

1. With compressor kit installed, and belt tightened, check angle of oil plug on compressor. As shown below, oil plug must not exceed 90° beyond vertical centerline.
2. Do not connect compressor clutch wire until system is being charged with refrigerant. Running compressor without refrigerant charge may result in compressor failure.

IMPORTANT NOTICE:

- Do not connect compressor clutch wire until system is being charged with refrigerant. Since an A/C system relies on refrigerant to circulate lubricant, running the compressor without refrigerant may destroy the compressor and void the warranty.
- Proper compressor orientation is important. Sanden compressors may be rotated from vertical (oil fill plug at top) up to 90° in either direction (See illustration).



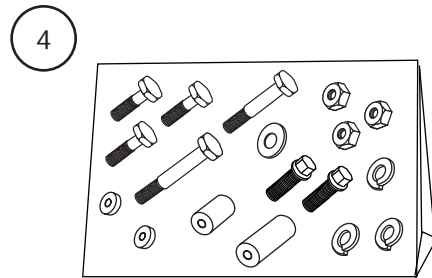
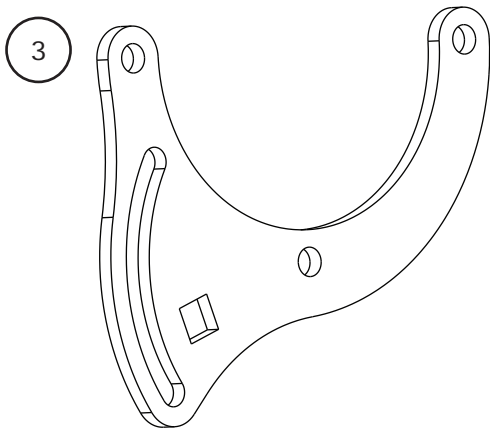
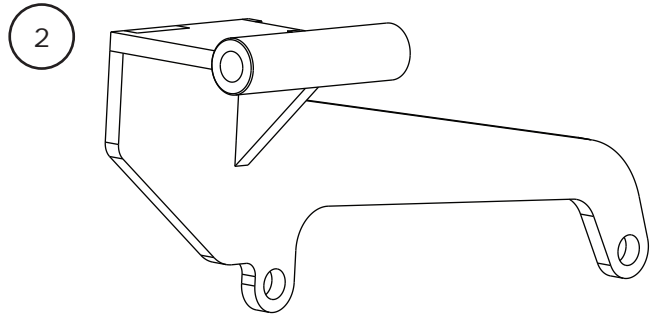
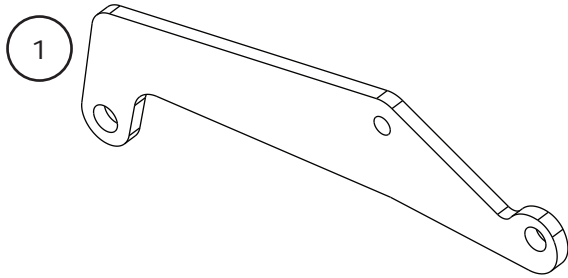


www.vintageair.com

Packing List: Bracket Kit (151110)

No.	Qty.	Part No.	Description
1.	1	146001-SCR	Bracket, Front Mounting
2.	1	142416	Bracket, Rear Mounting
3.	1	146006-SCR	Bracket, Compressor Mounting
4.	1	191125	Hardware Kit

Checked By: _____
 Packed By: _____
 Date: _____



**NOTE: Images may not depict actual parts and quantities.
 Refer to packing list for actual parts and quantities.**