

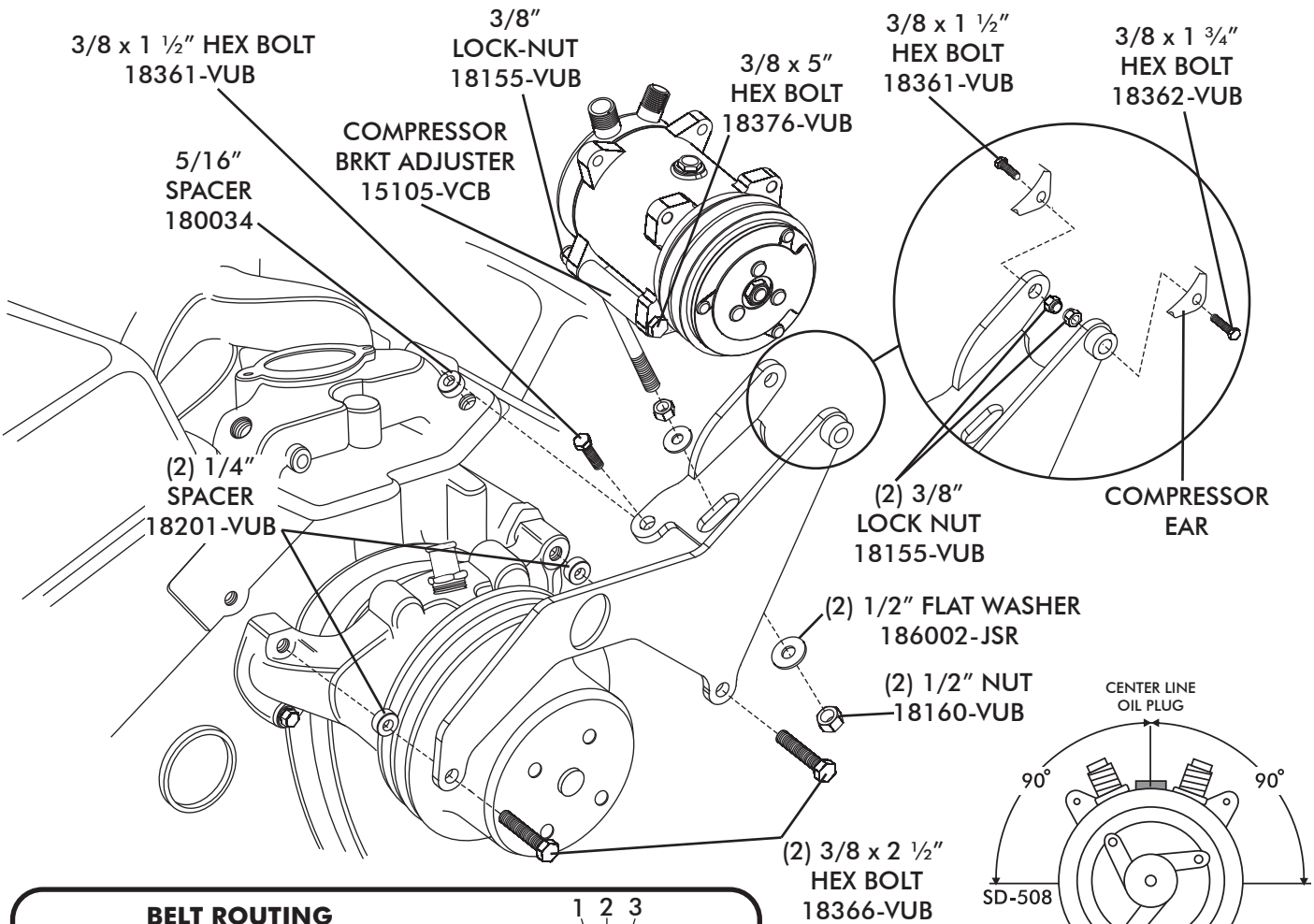


SBC LP AC BRKT DS TOP MOUNT

COMPRESSOR MOUNTING BRACKET INSTALLATION

- REMOVE THE TOP (2) WATER PUMP MOUNTING BOLTS. (DISCARD)
- REMOVE THE DRIVER SIDE FRONT INTAKE MOUNTING BOLT. (DISCARD)
- INSTALL COMPRESSOR BRACKET AND COMPRESSOR AS SHOWN BELOW.

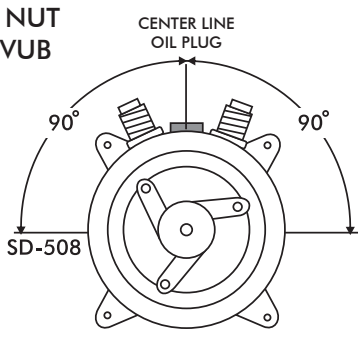
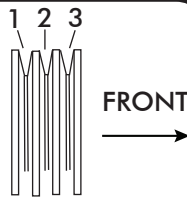
NOTE: START ALL MOUNTING BOLTS BEFORE TIGHTENING.



BELT ROUTING

CRANKSHAFT PULLEY GROOVES:

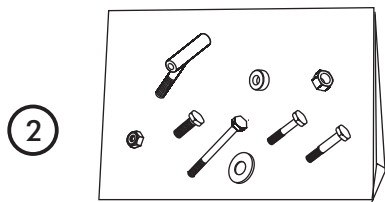
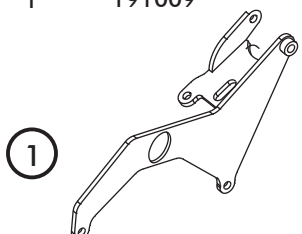
1. CRANKSHAFT & POWER STEERING
2. CRANKSHAFT & COMPRESSOR
3. CRANKSHAFT, WATER PUMP & ALTERNATOR



**BRKT. KIT
15121-VCB**

SBC LP AC BRKT DS TOP MOUNT

No.	QTY.	PART No.	DESCRIPTION
1.	1	141108	SBC LP AC BRKT DS TOP MOUNT ASM
2.	1	191009	SBC LP AC BRKT PS/DS TOP MOUNT HARDWARE KIT



CHECKED BY: _____
 PACKED BY: _____
 DATE: _____